

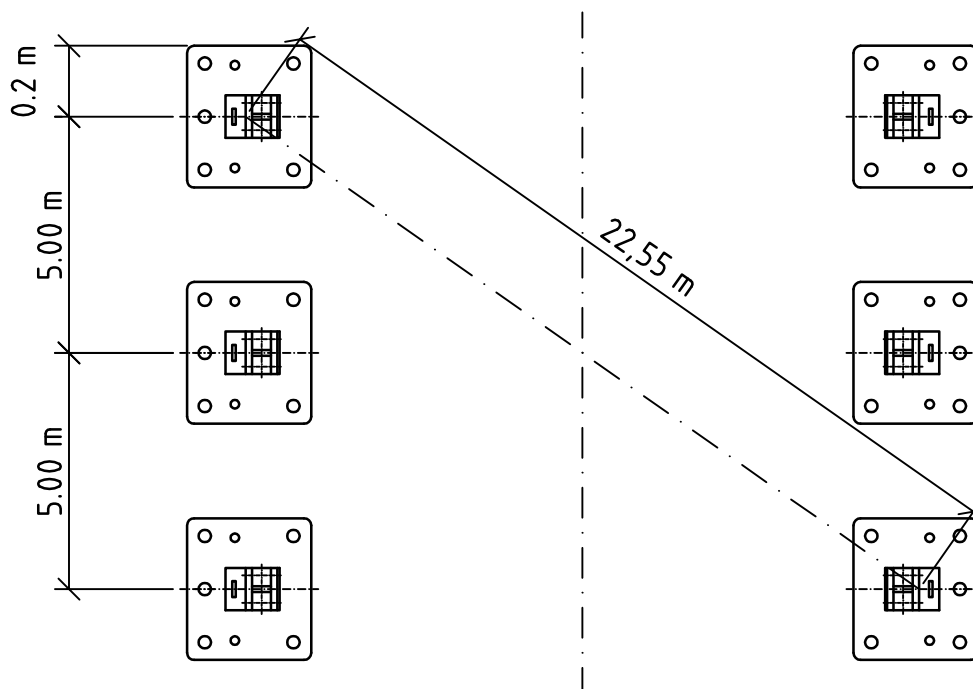
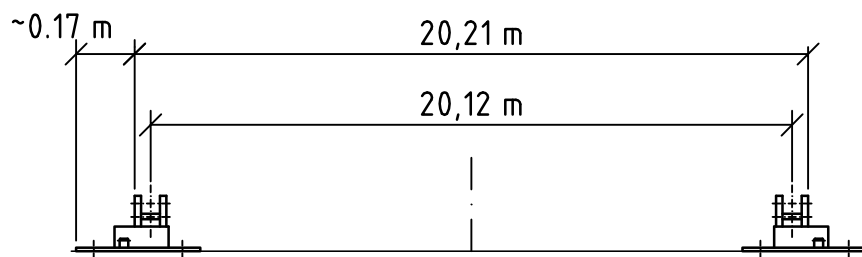


Party and exhibition tents system uniflex

Assembly guide

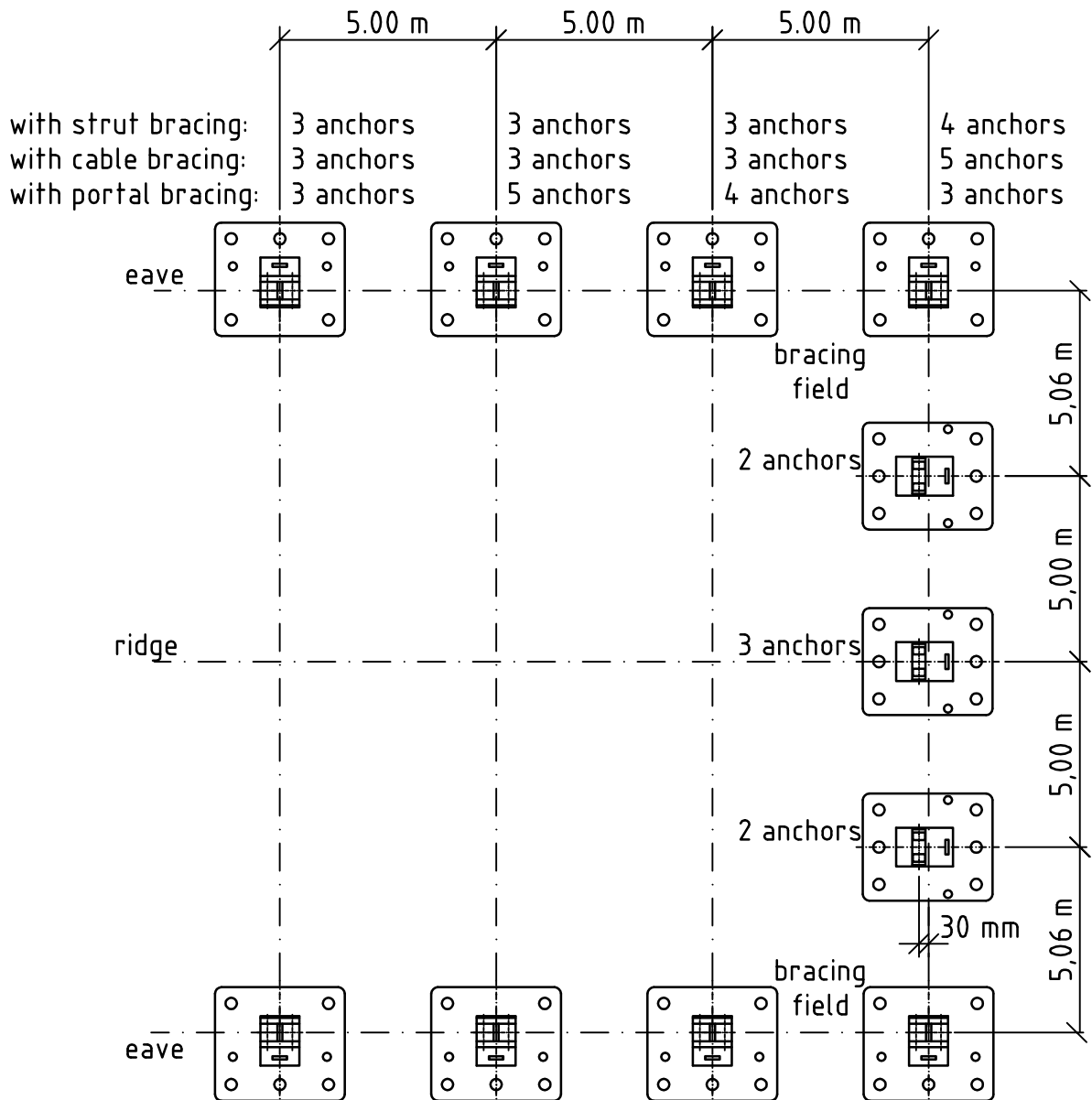
Type 20,3/...

measurement sketch for
frame pole base plates
20,3/...P3N



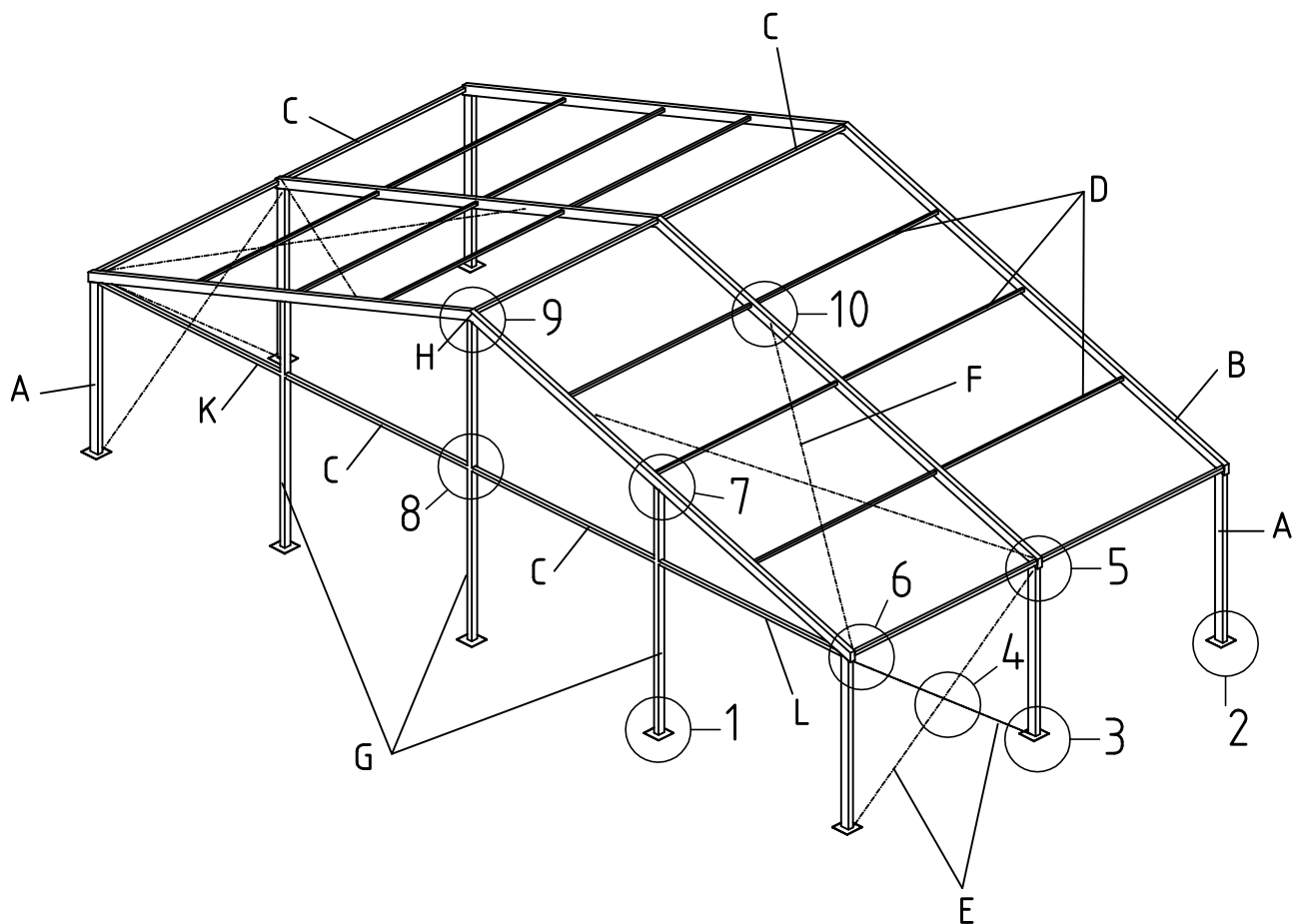
measurement sketch for
 gable pole base plates
 anchoring
 20,3/...P3N

steel anchors $\varnothing 30\text{mm}$, driving depth 1.00m



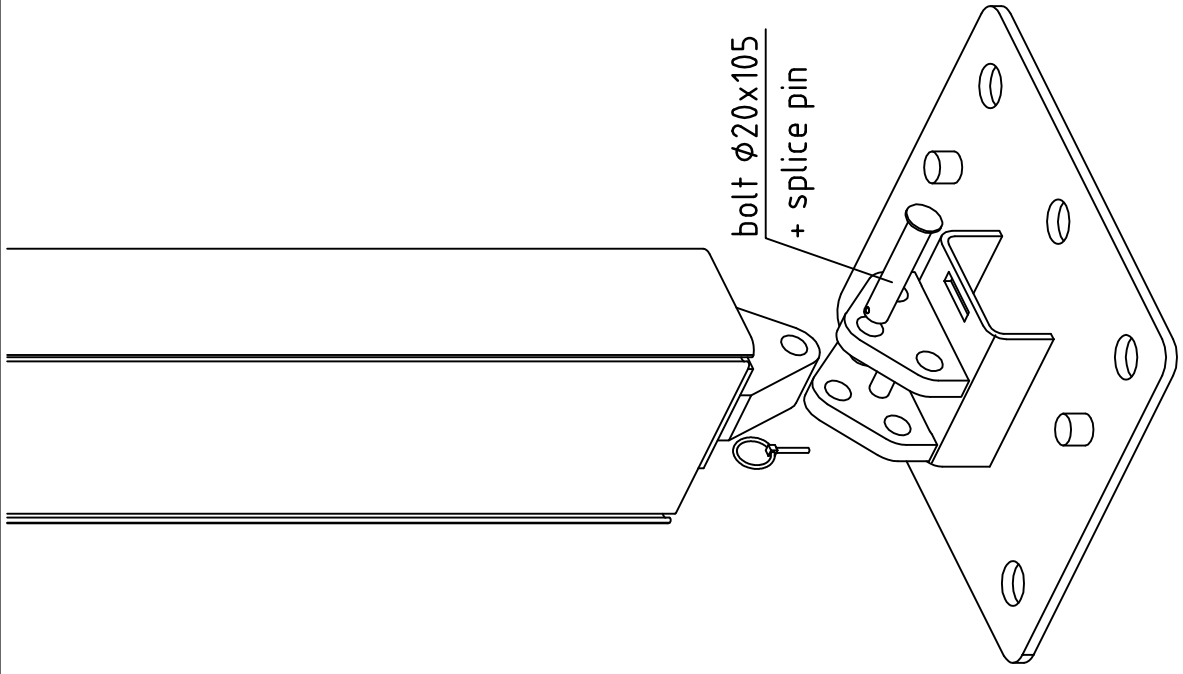
Party and exhibition tent 20,3/... P3N

- A - frame pole
- B - frame beam
- C - eave or ridge purlin 100x80
- D - intermediate purlin 60x60
- E - vertical brace
- F - roof wire cable
- G - gable pole
- H - ridge head
- L - gable wall beam right
- K - gable wall beam left

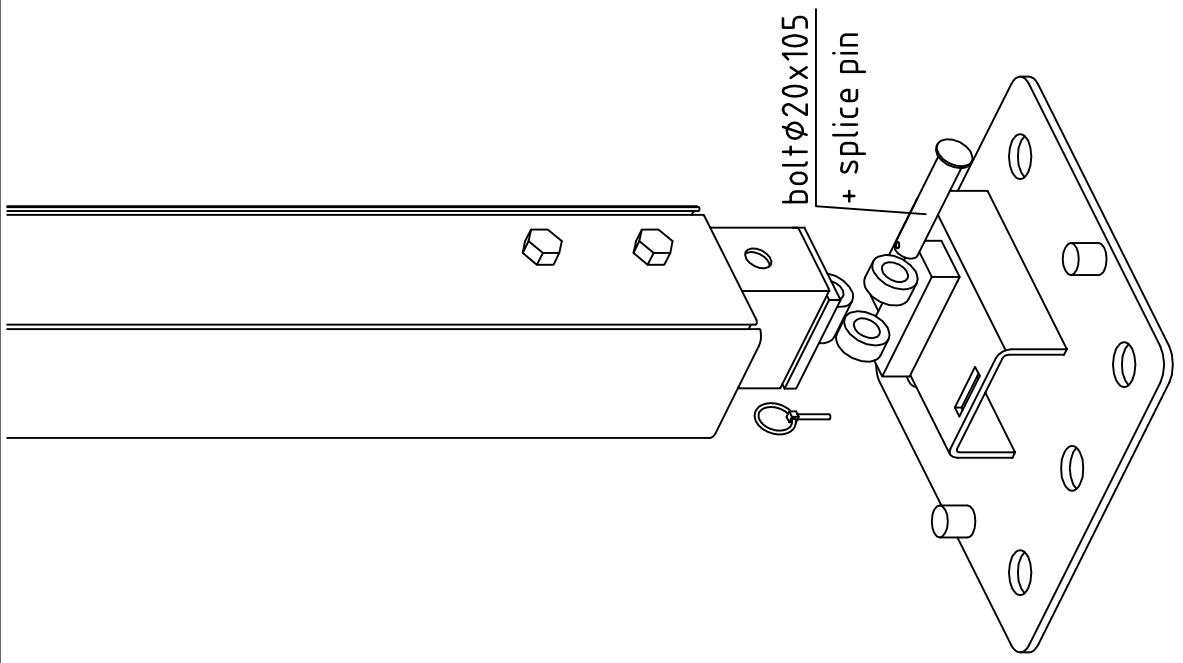


Assembly guide , frame

2

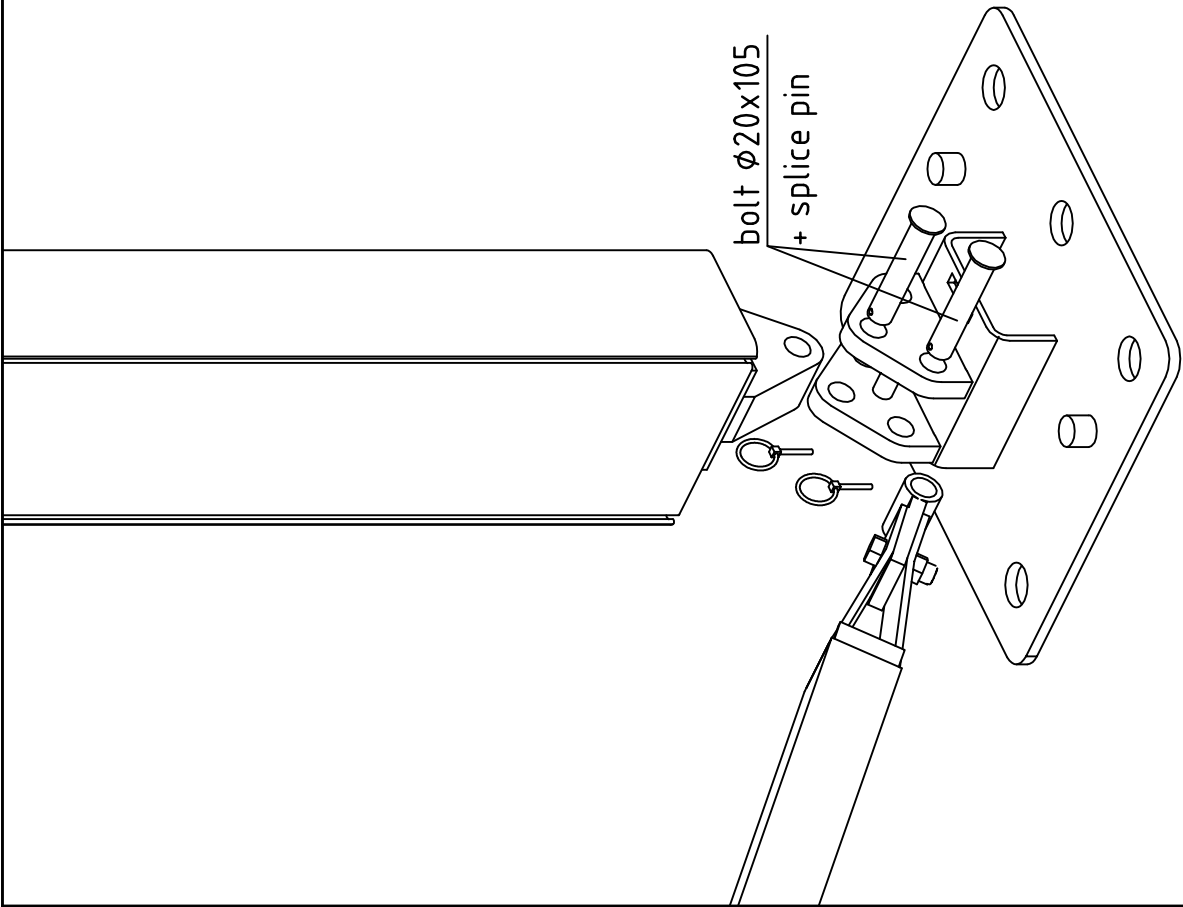


1



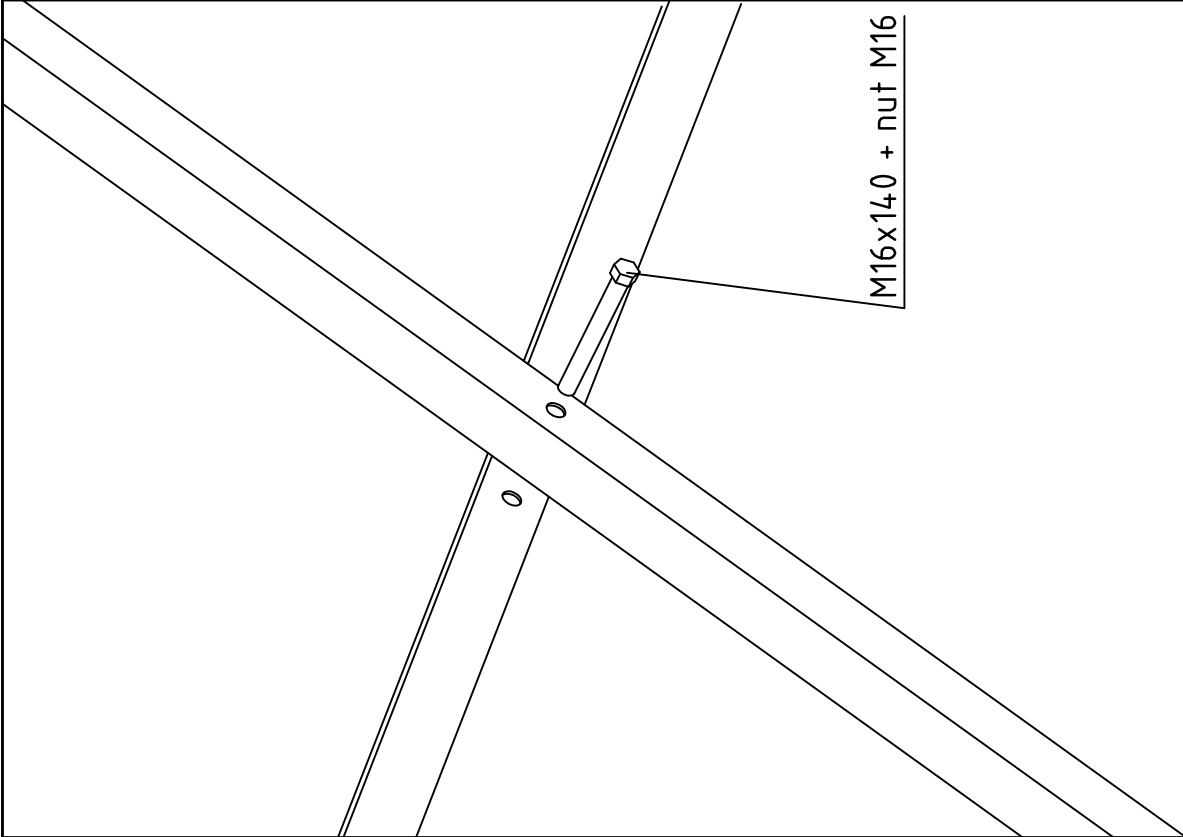
3

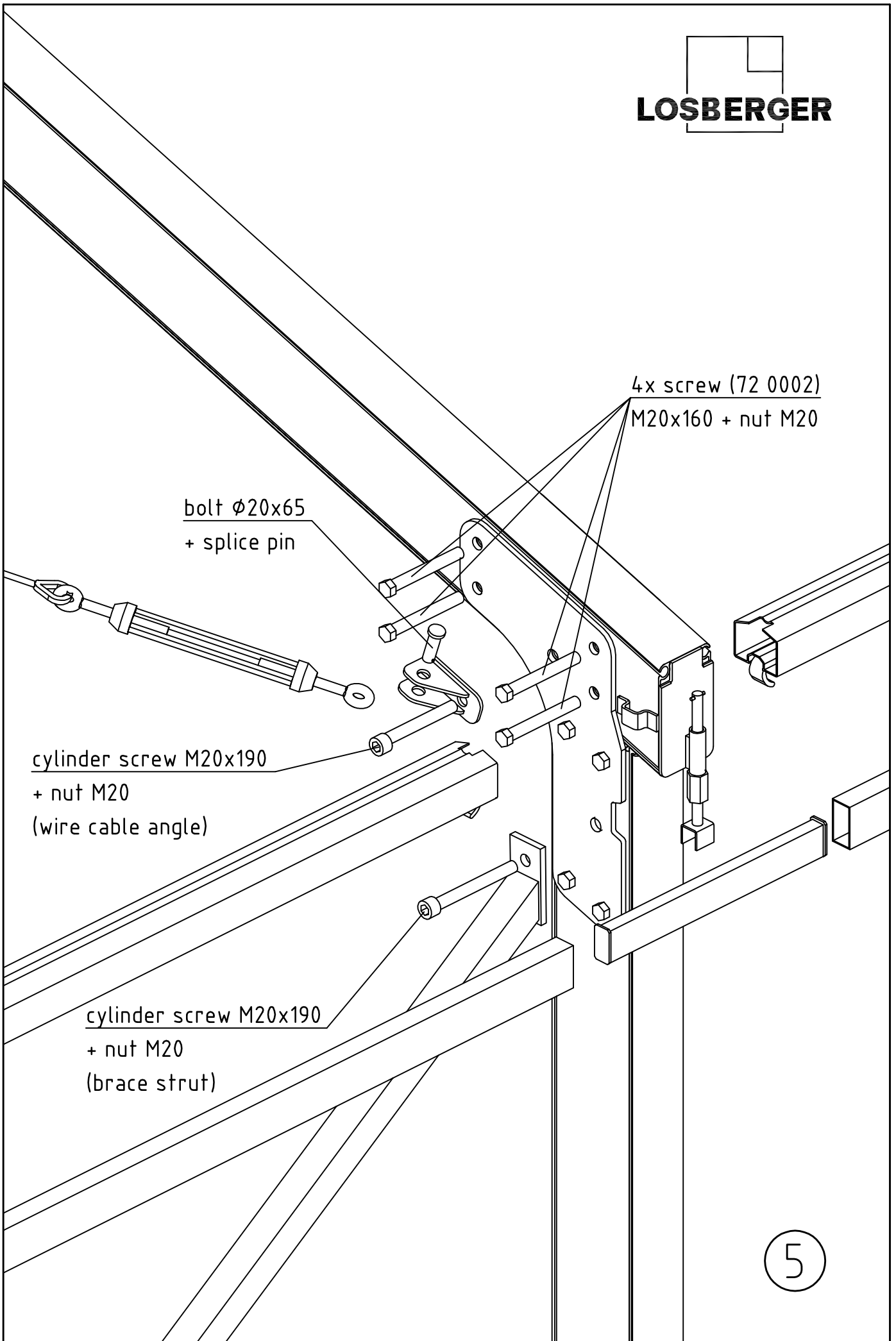
bolt $\phi 20 \times 105$
+ splice pin

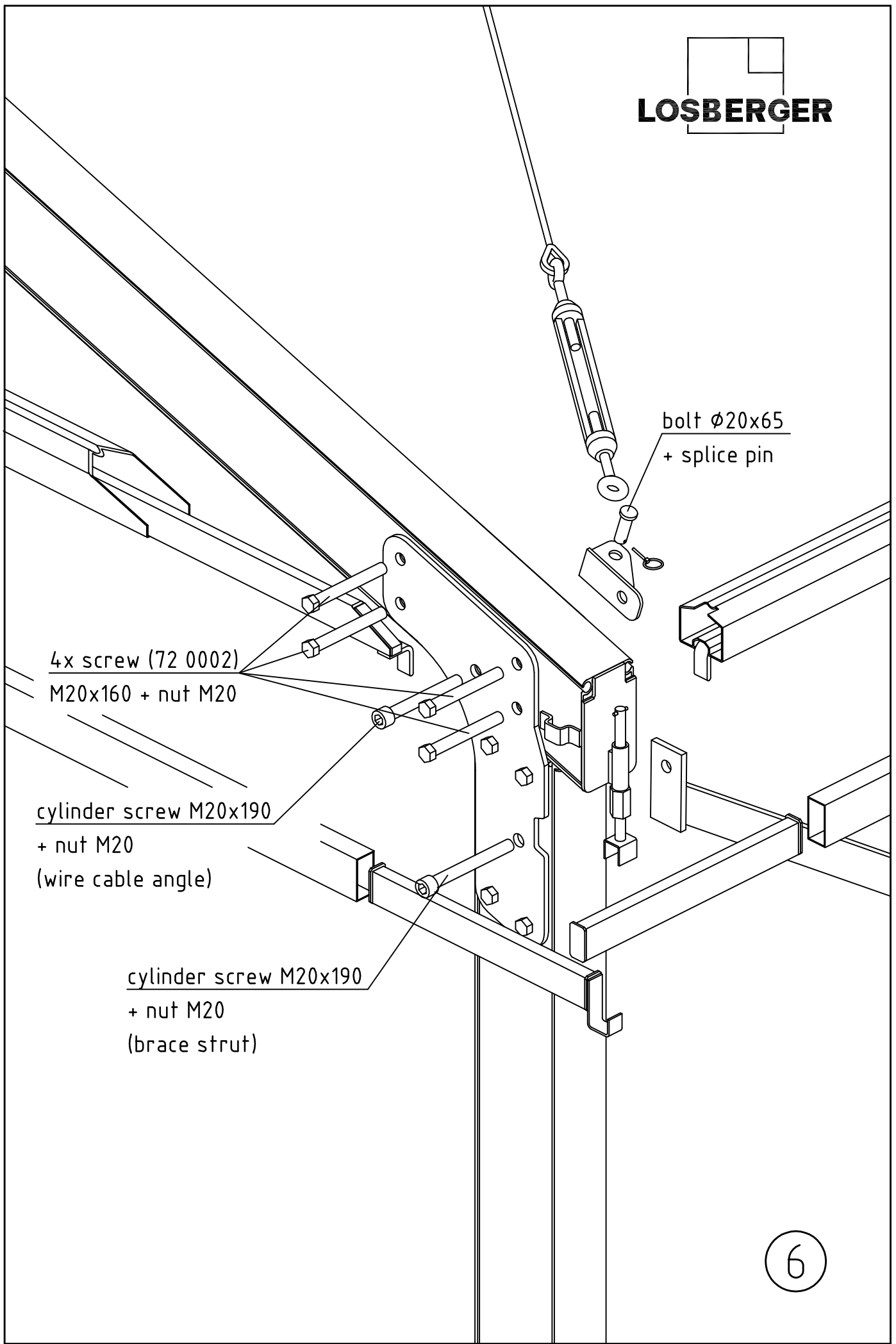


4

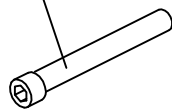
M16x140 + nut M16







cylinder screw M20x160
+ nut M20



8

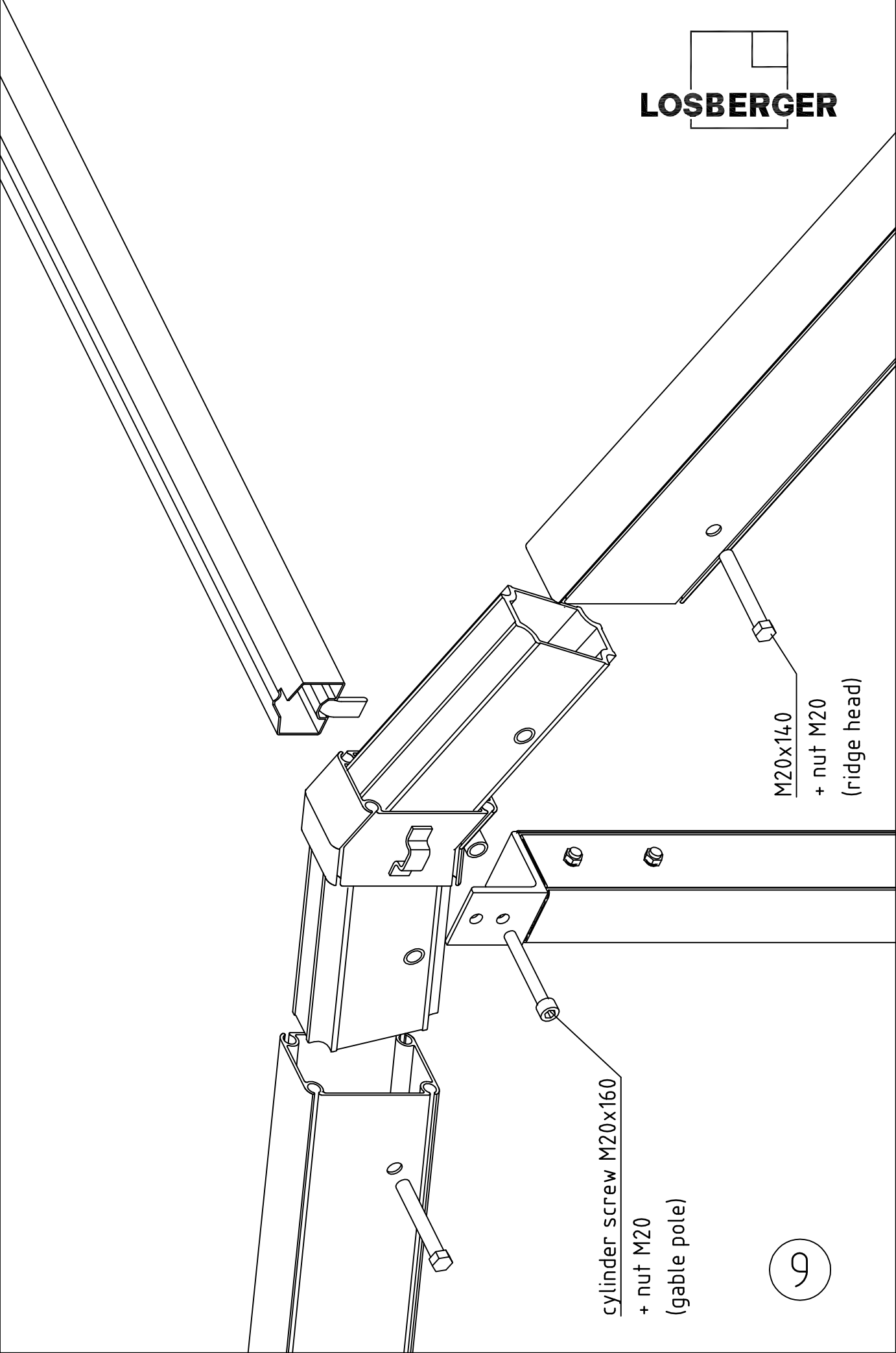
b) system wall

M10x70

8

a) textile wall
canvas

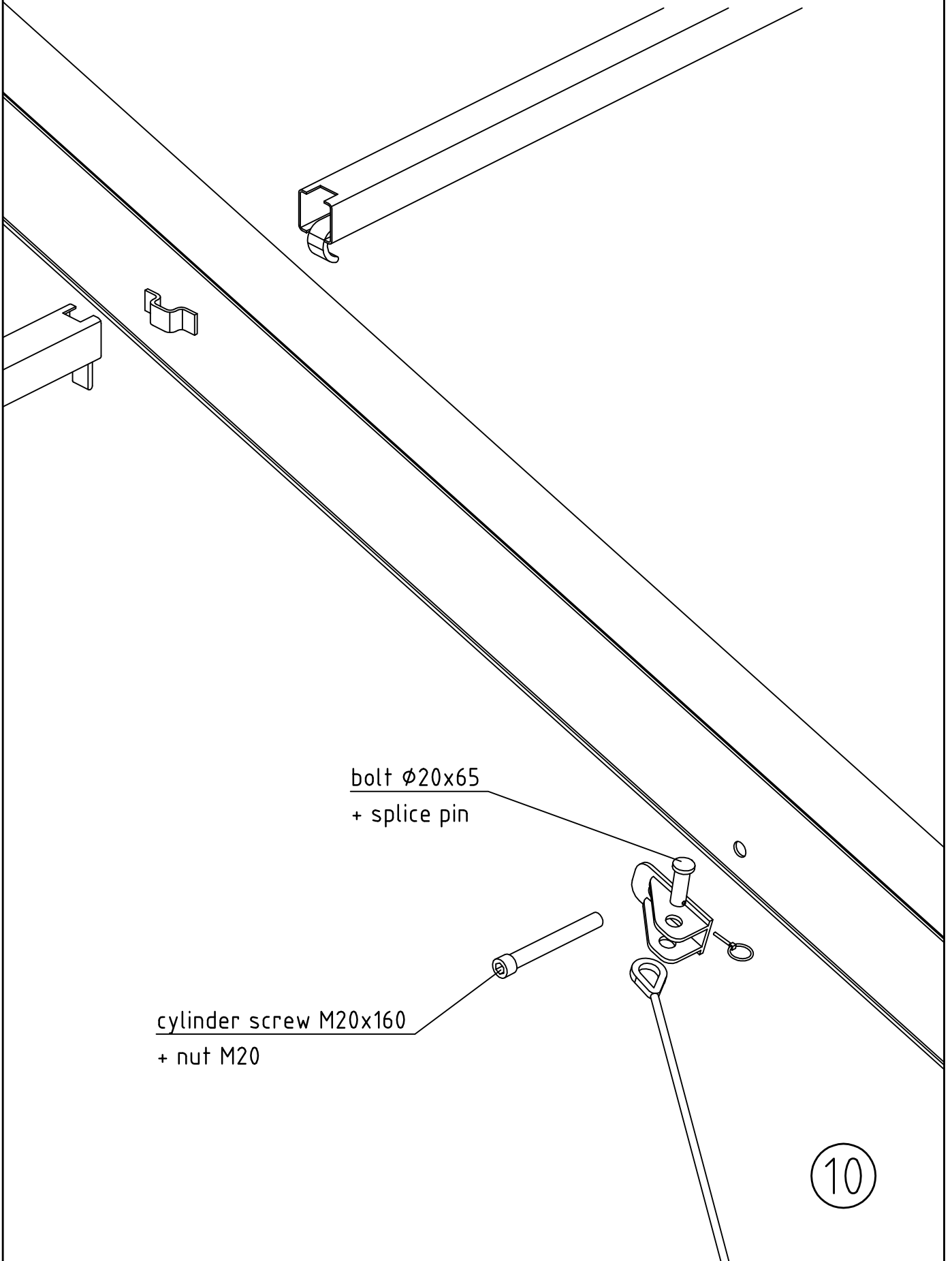
0



M20x140
+ nut M20
(ridge head)

cylinder screw M20x160
+ nut M20
(gable pole)

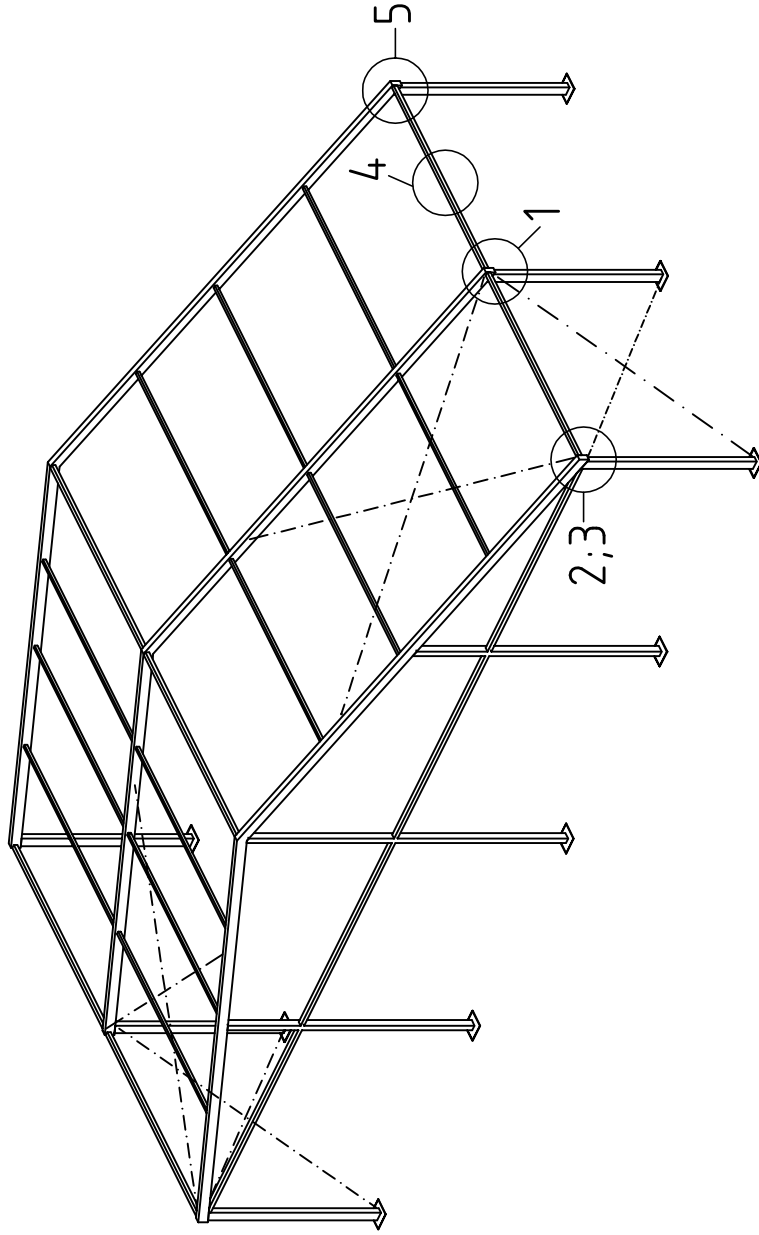


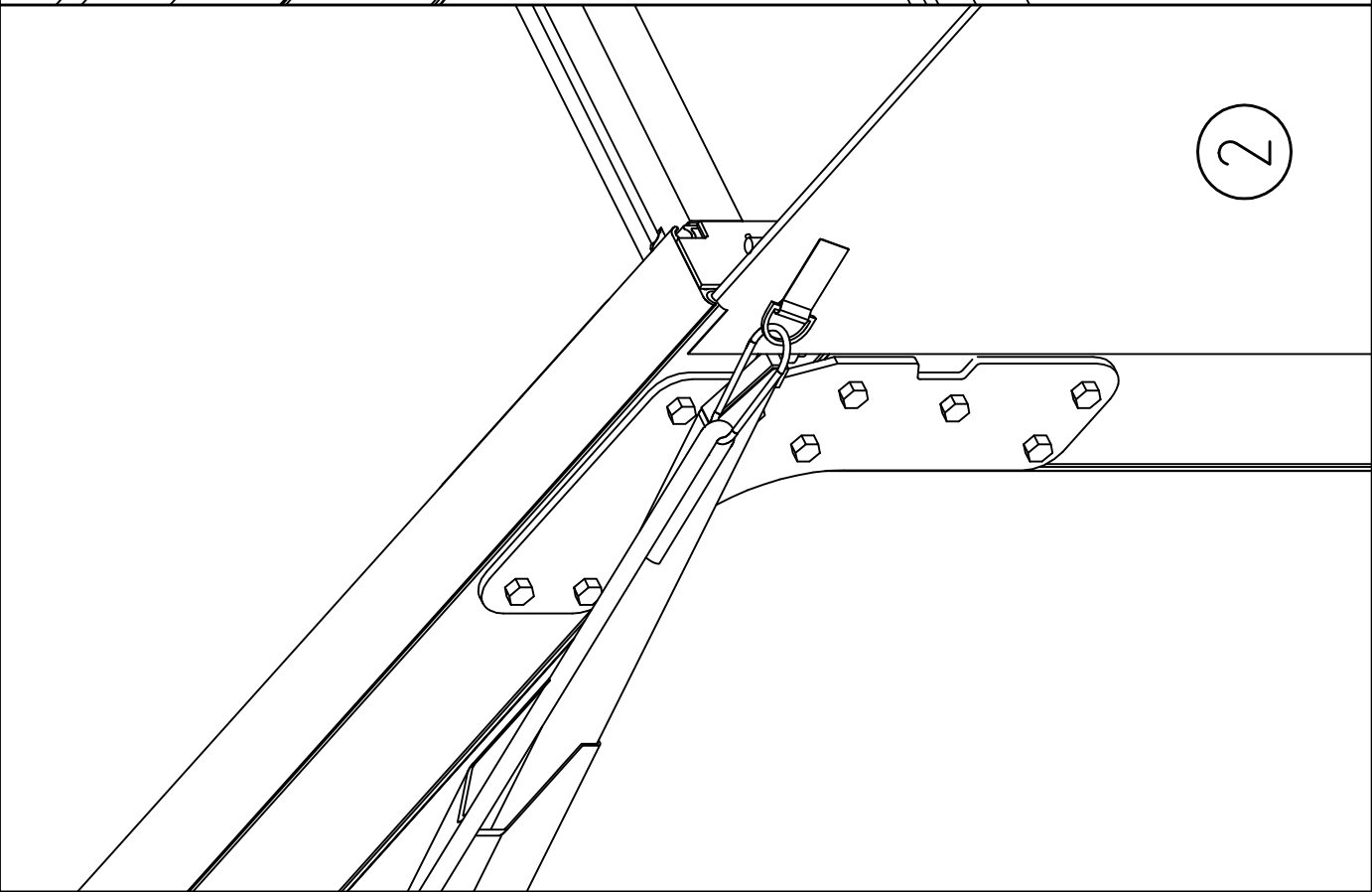
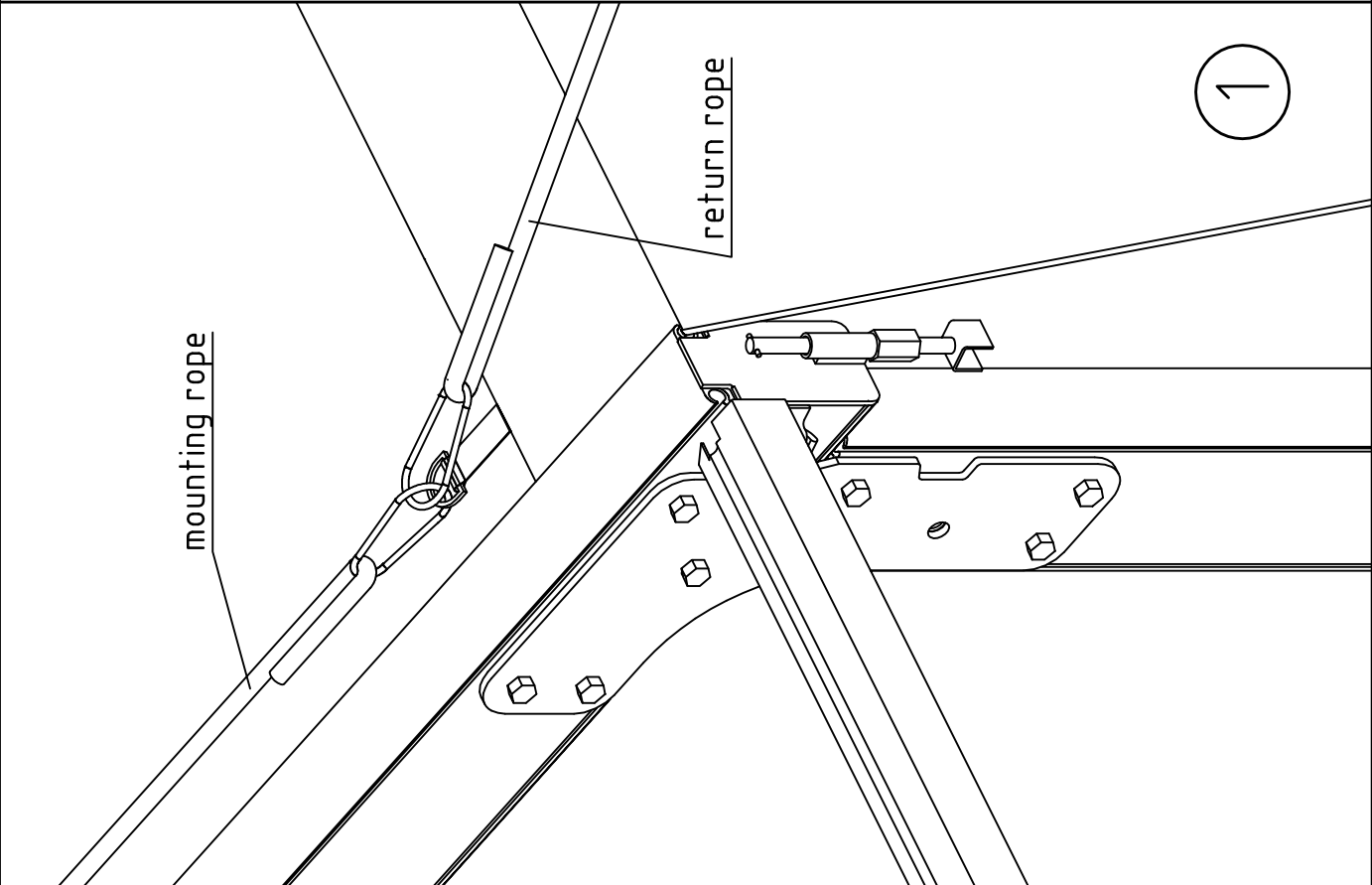


bolt $\phi 20 \times 65$
+ splice pin

cylinder screw M20x160
+ nut M20

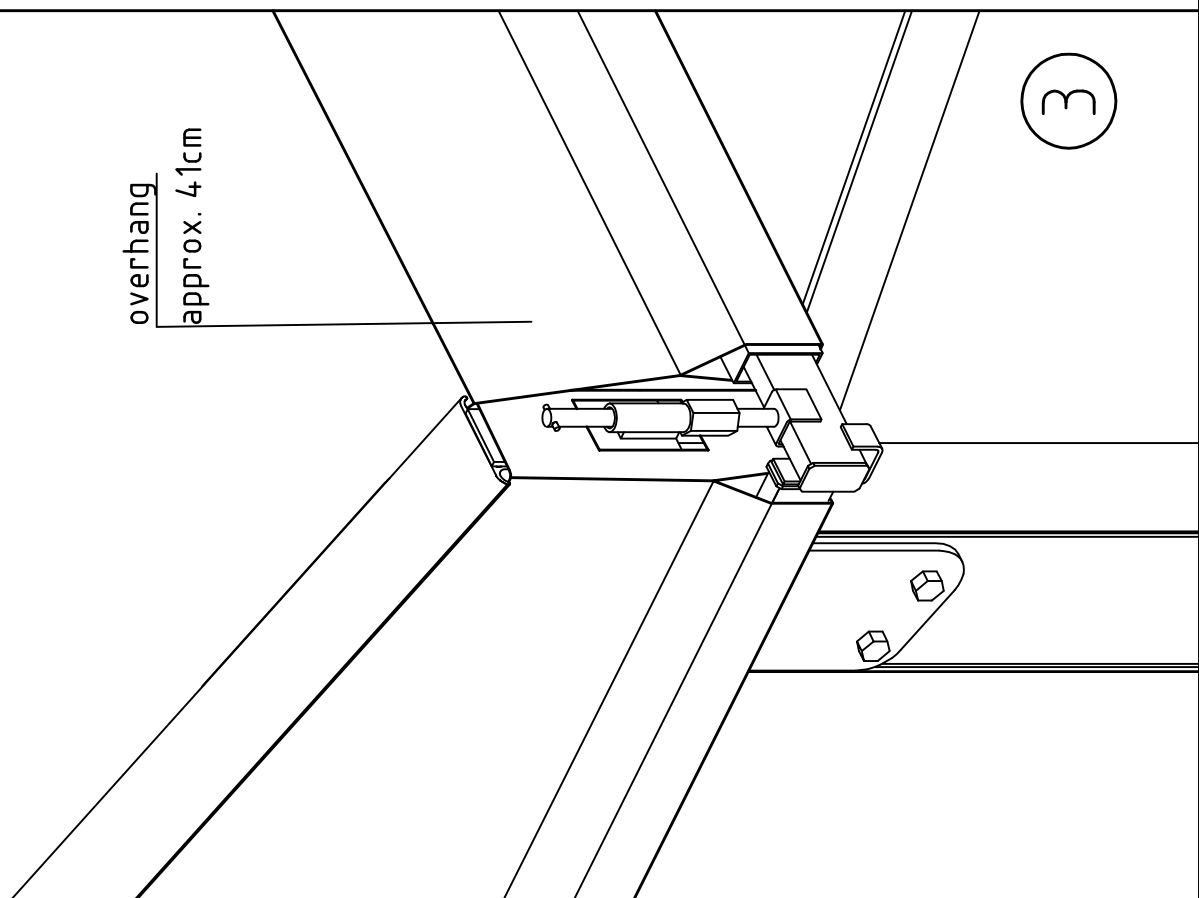
**Party and exhibition tent
20,3/ ... P3N**



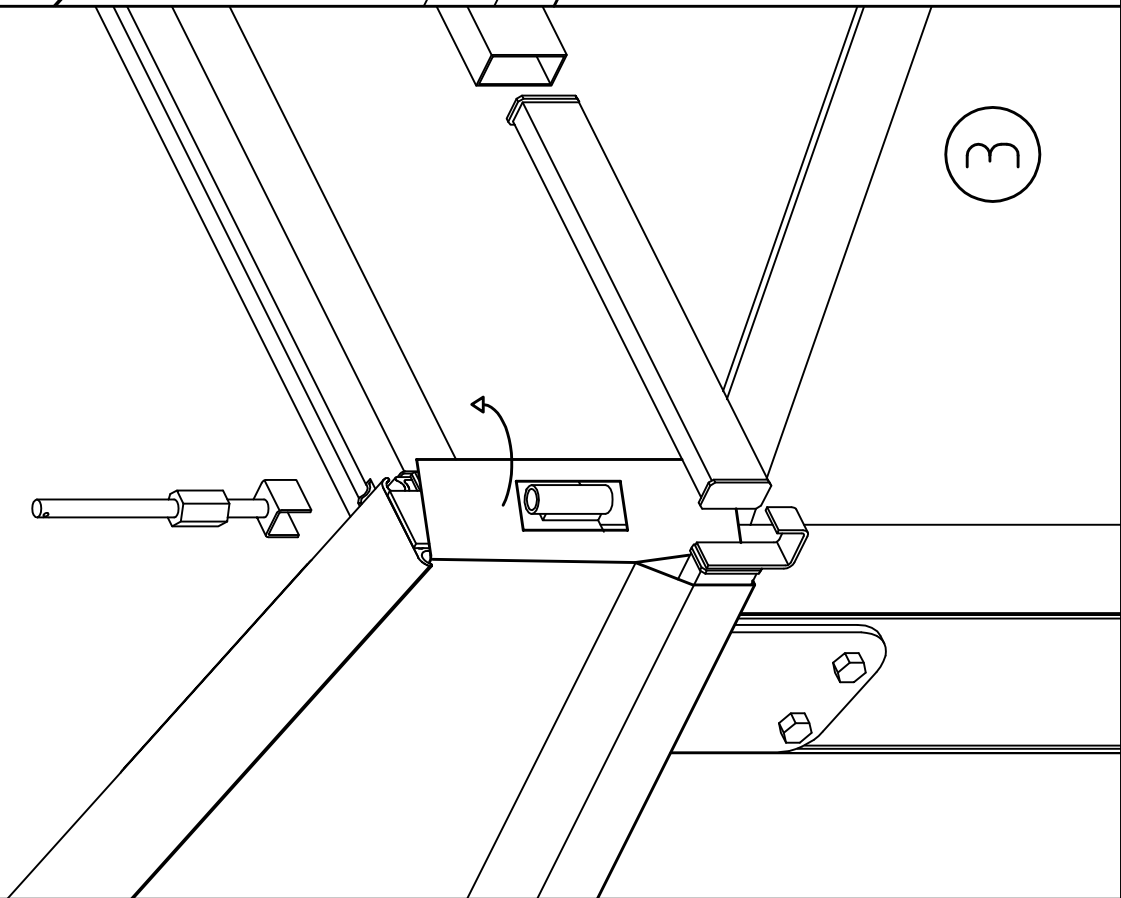


3

overhang
approx. 41cm



3



4

groove recess (underside eave purlin)



5

groove recess

