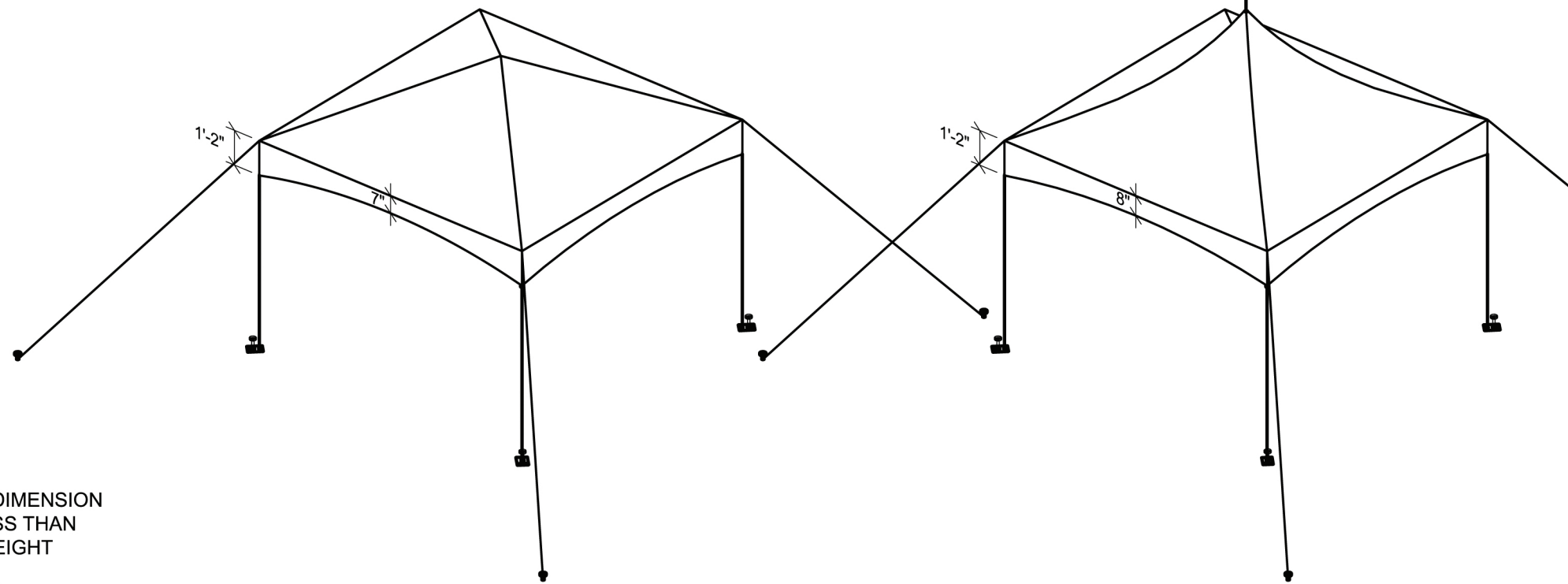


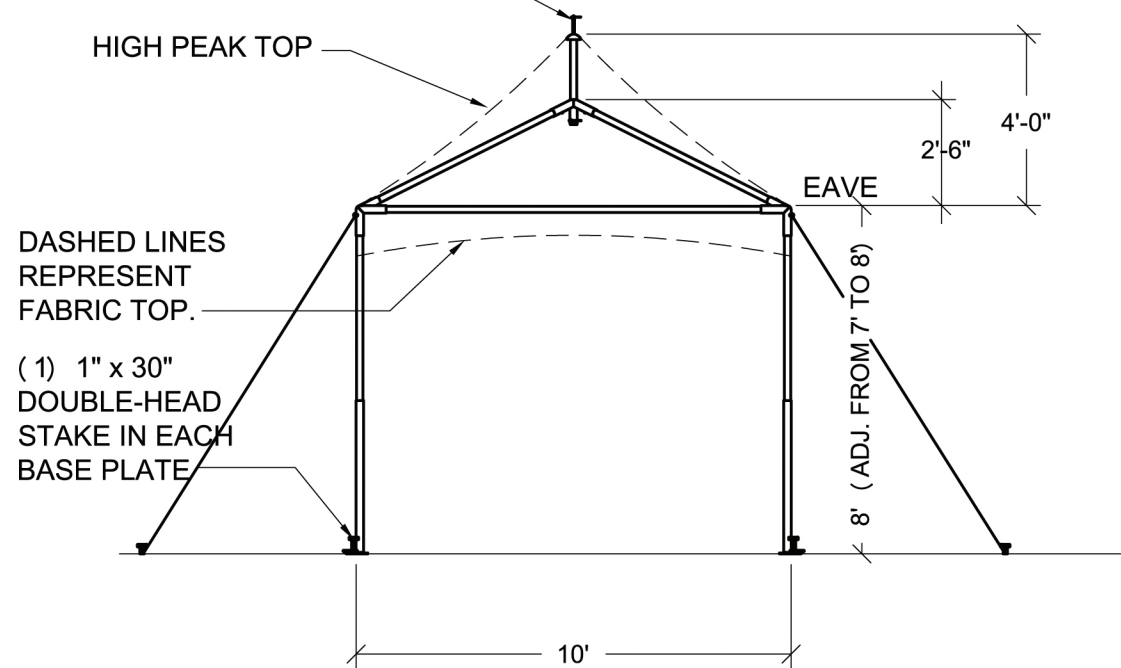
PLAN VIEW



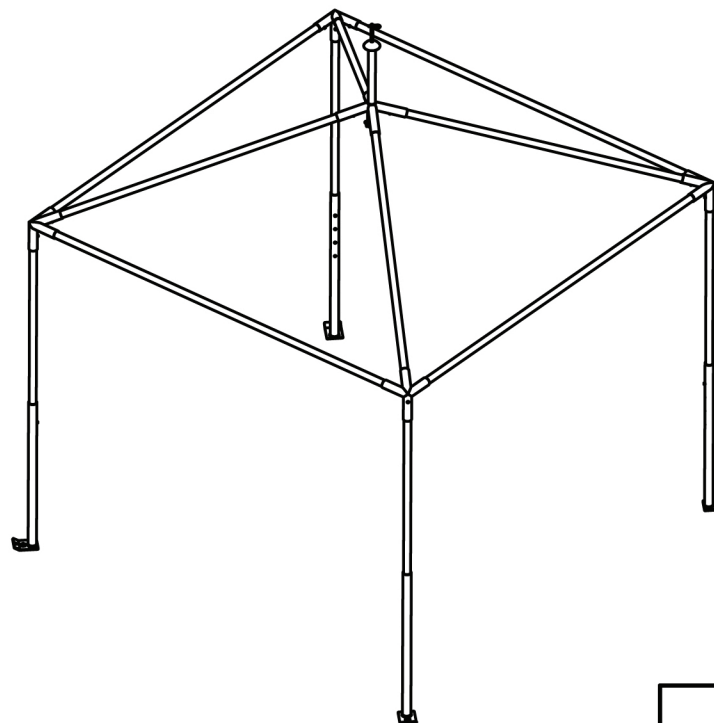
HIP STYLE ISOMETRIC

HIGH PEAK STYLE ISOMETRIC

HIGH PEAK TUBE ASSEMBLY (NOT REQUIRED FOR HIP STYLE)



SIDE ELEVATION



FRAME ONLY ISOMETRIC

REVISIONS			ANCHOR INDUSTRIES INC.		
EC/PR NO.	DATE	BY	BROCHURE DRAWING		
			10' x 10' GENIE HIP AND HIGH PEAK STYLES		
			DRAWN BY: DMK	CHECKED BY:	DRAWING NO.
			APPROVED BY:	EC/PR NO.	DATE: 07-29-08
					<b>08-420-1</b>