

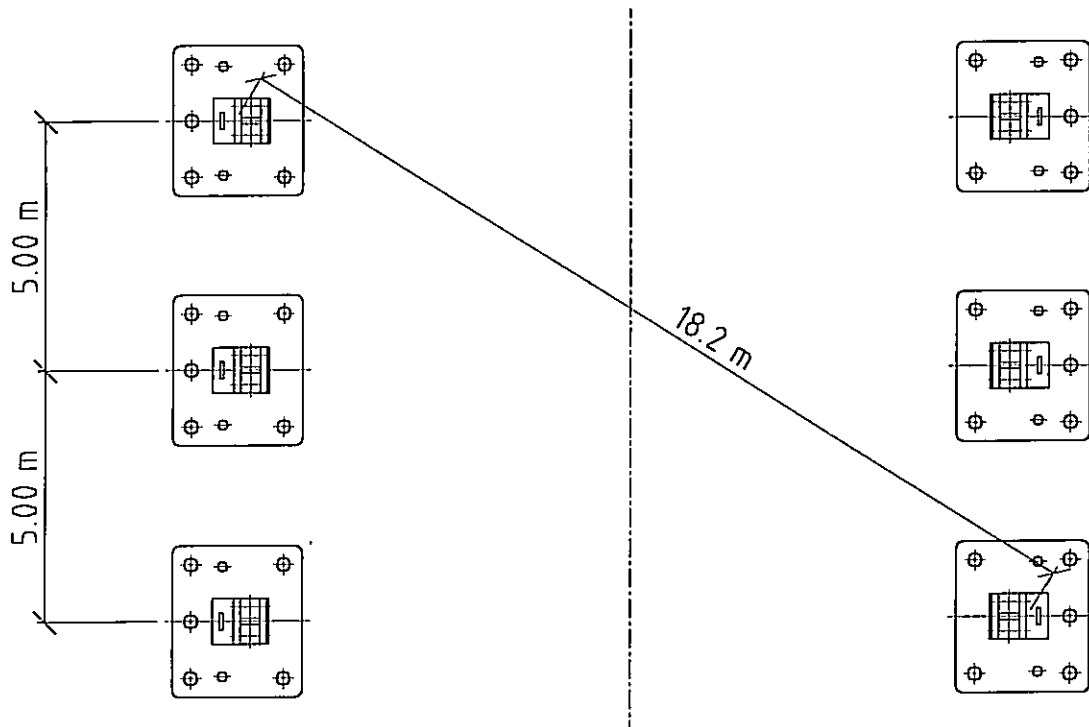
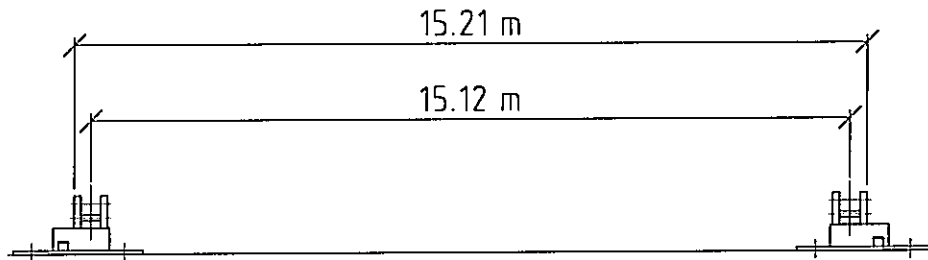
LOSBERGER

Party and exhibition tents system uniflex

Assembly guide

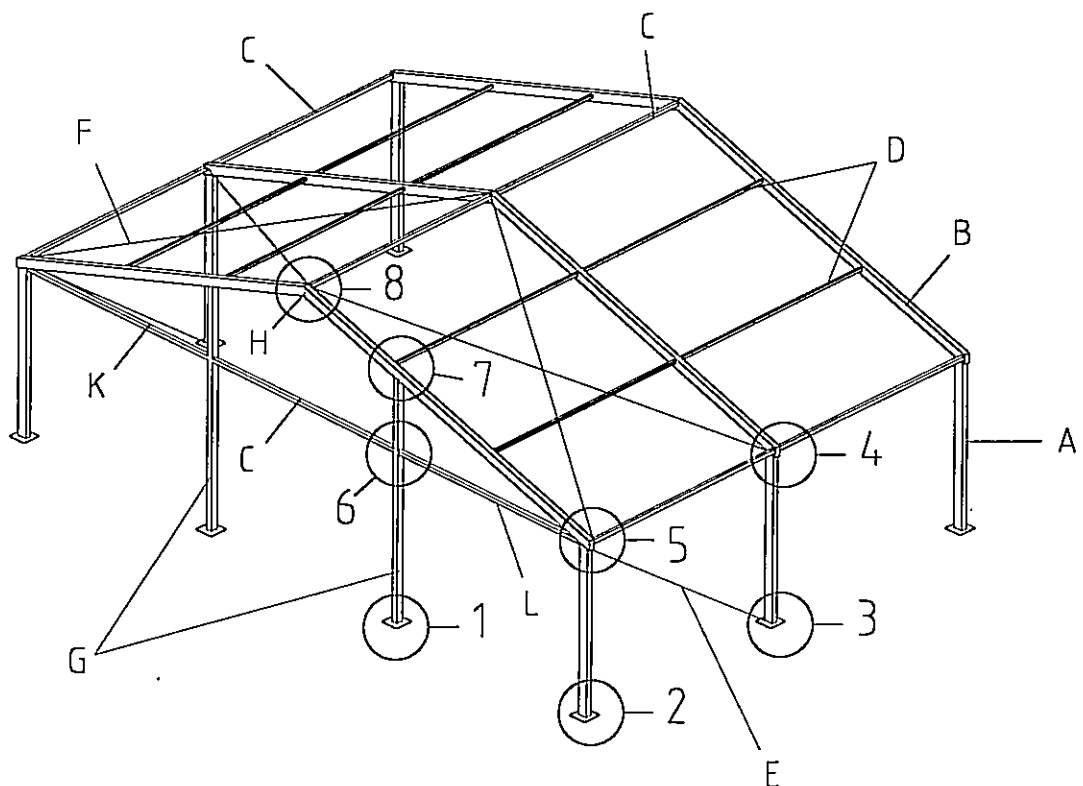
Type 15,3/...

Measurement sketch for frame pole-base plates

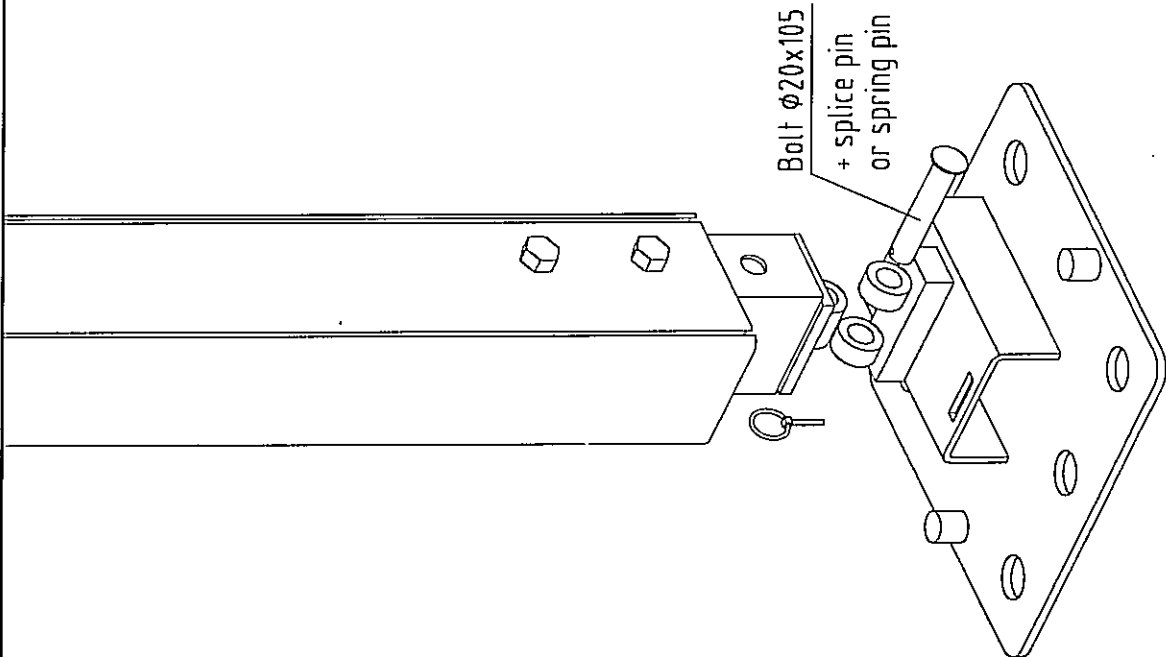
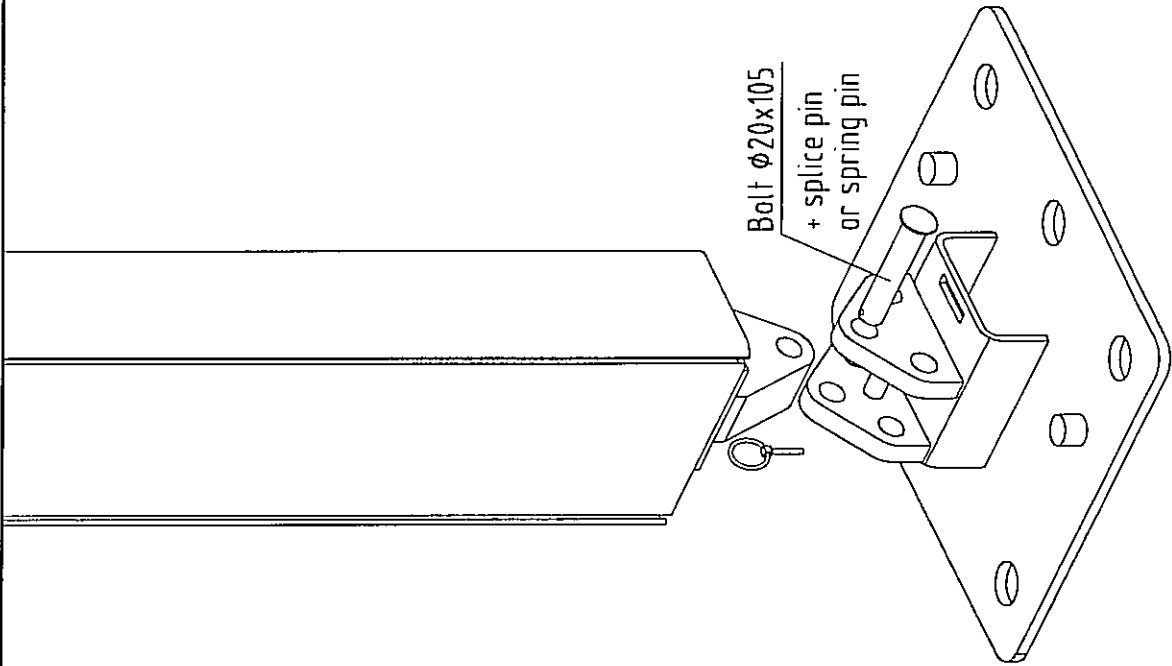


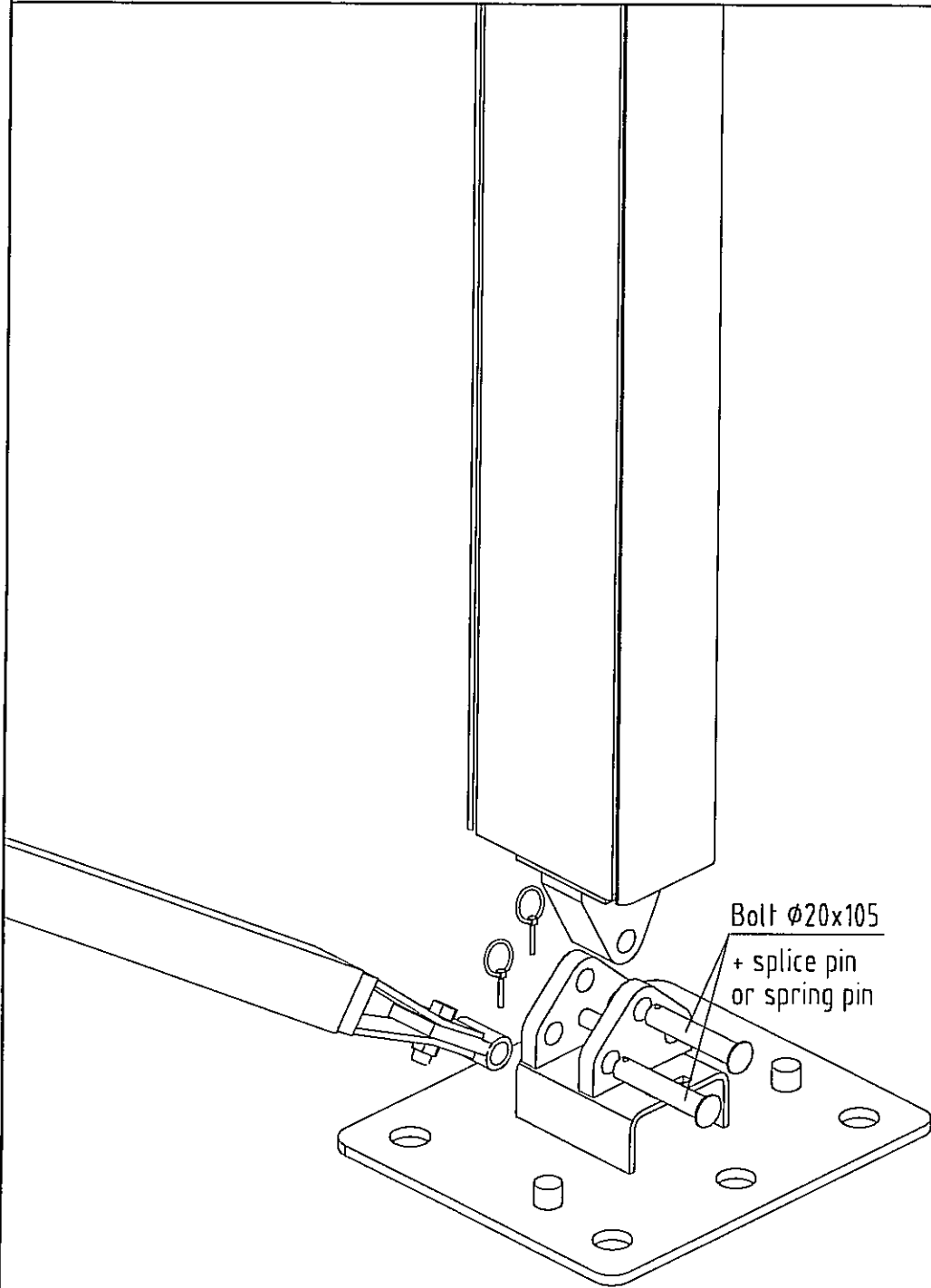
Party and exhibition tent 15,3/...

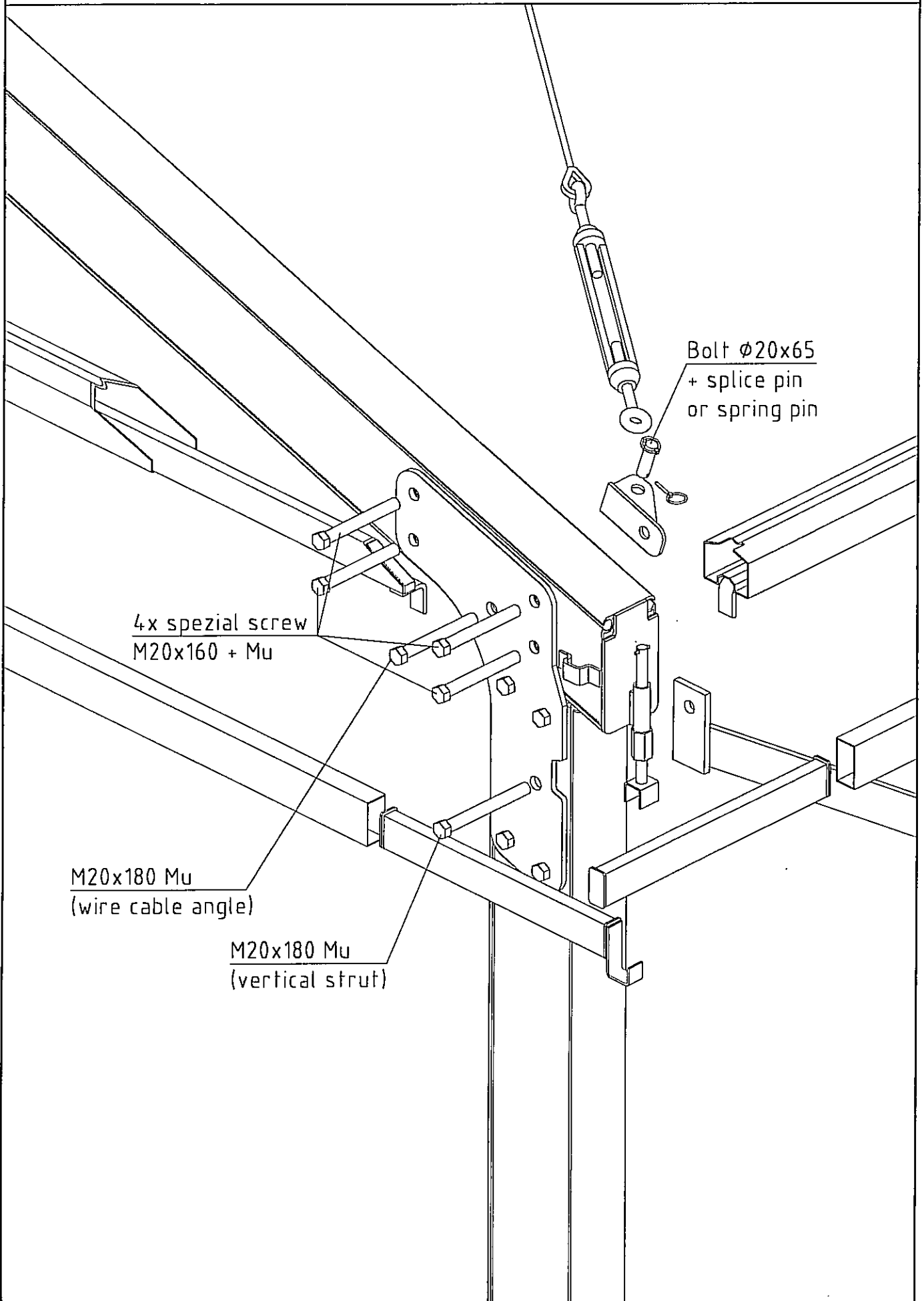
- A - frame pole
- B - frame beam
- C - eave or ridge purlin 100x80
- D - intermediate purlin 60x60
- E - vertical brace
- F - roof wire rope
- G - gable pole
- H - ridge head
- L - gable wall beam right
- K - gable wall beam left



Assembly guide, frame







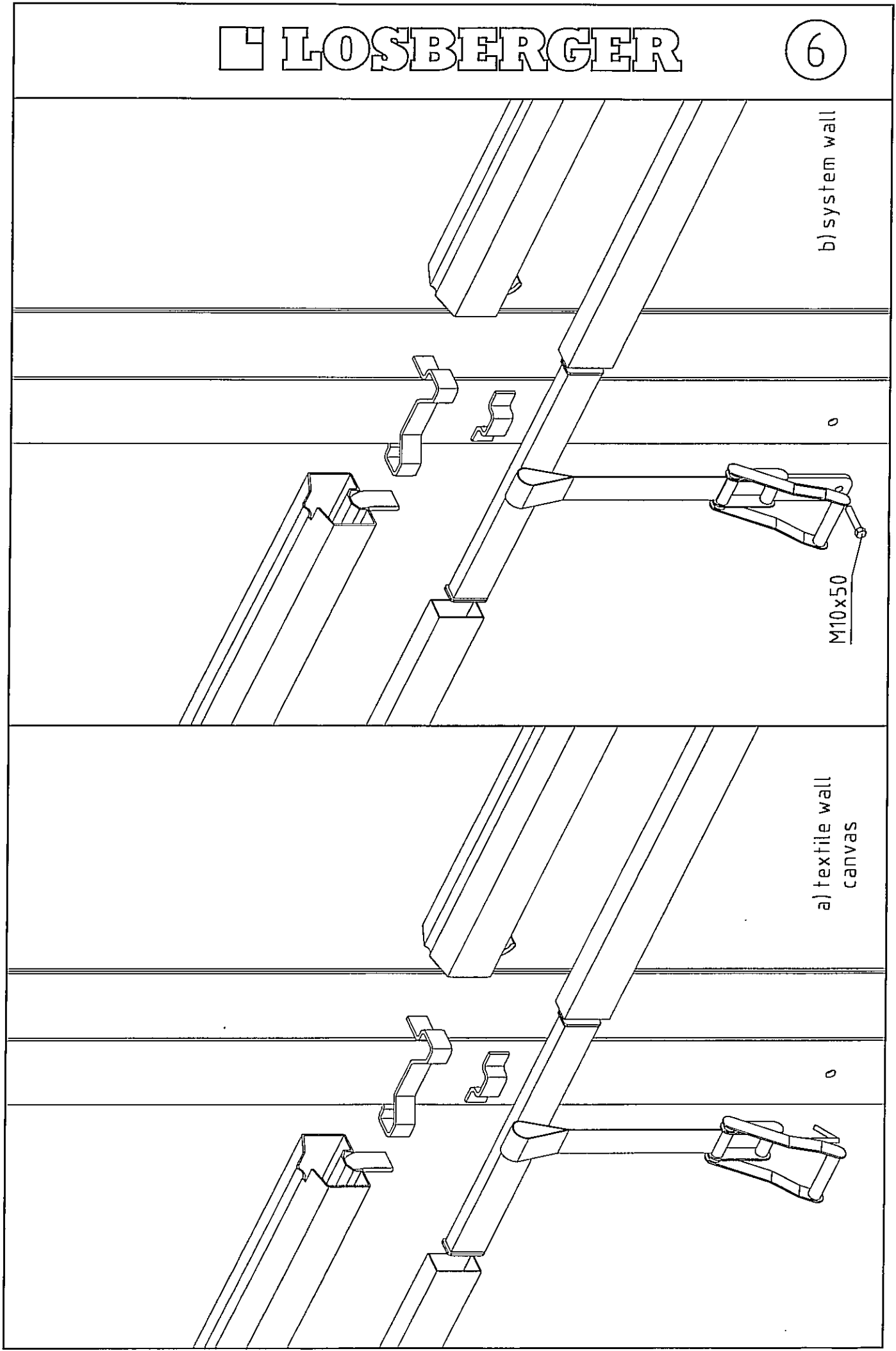
b) system wall

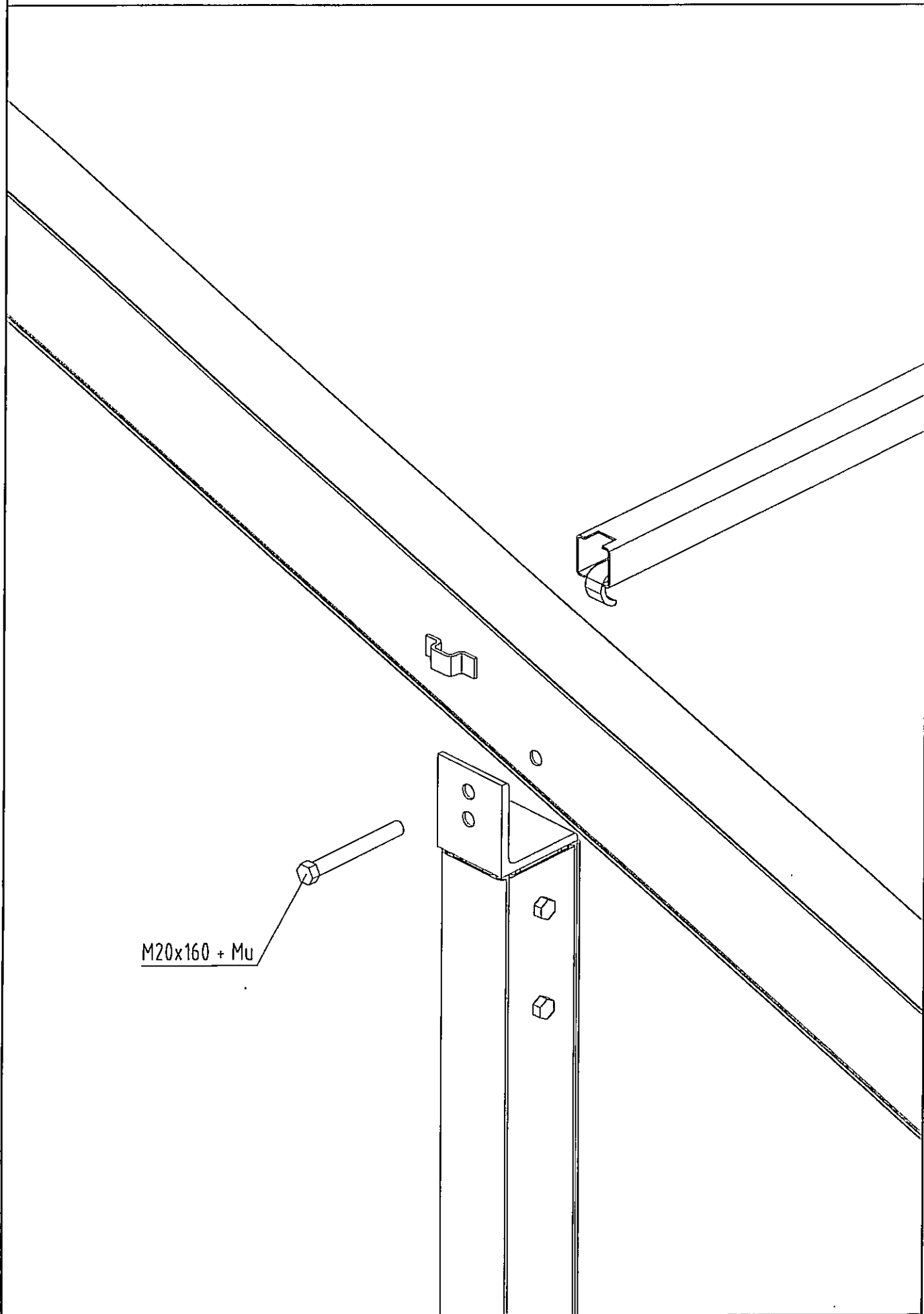
0

M10x50

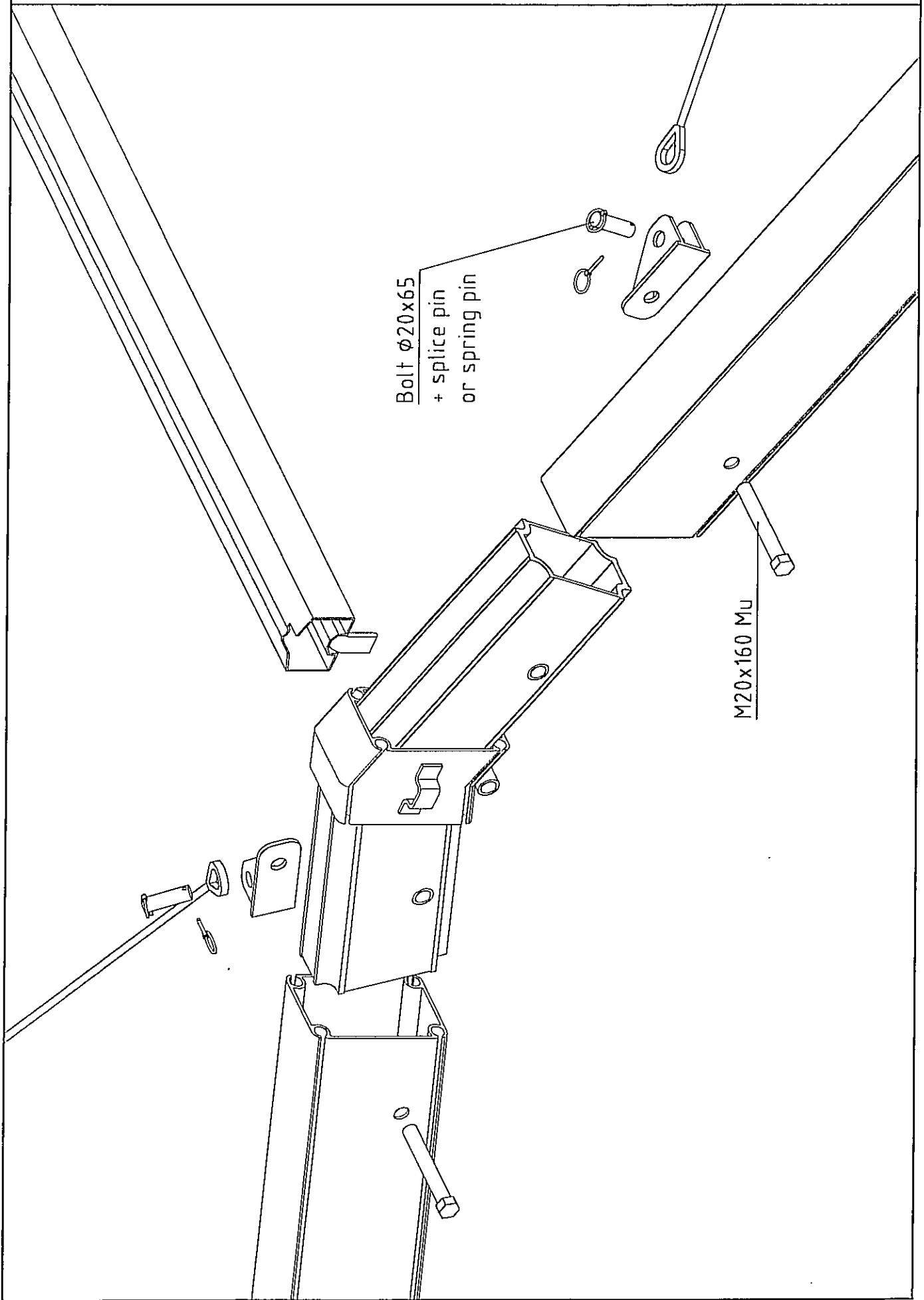
a) textile wall
canvas

0

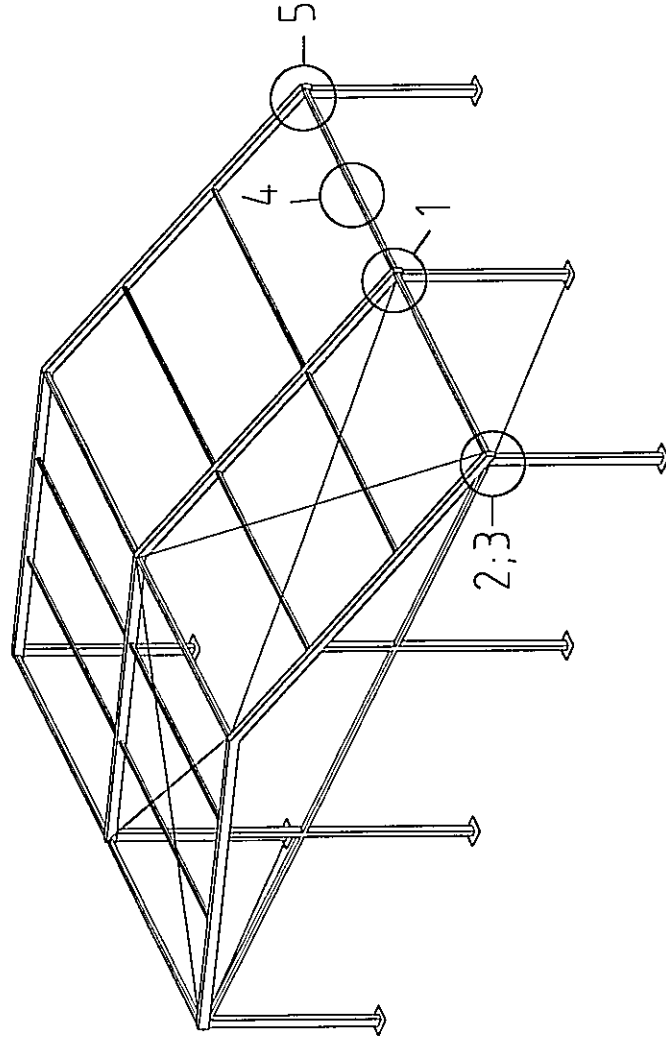




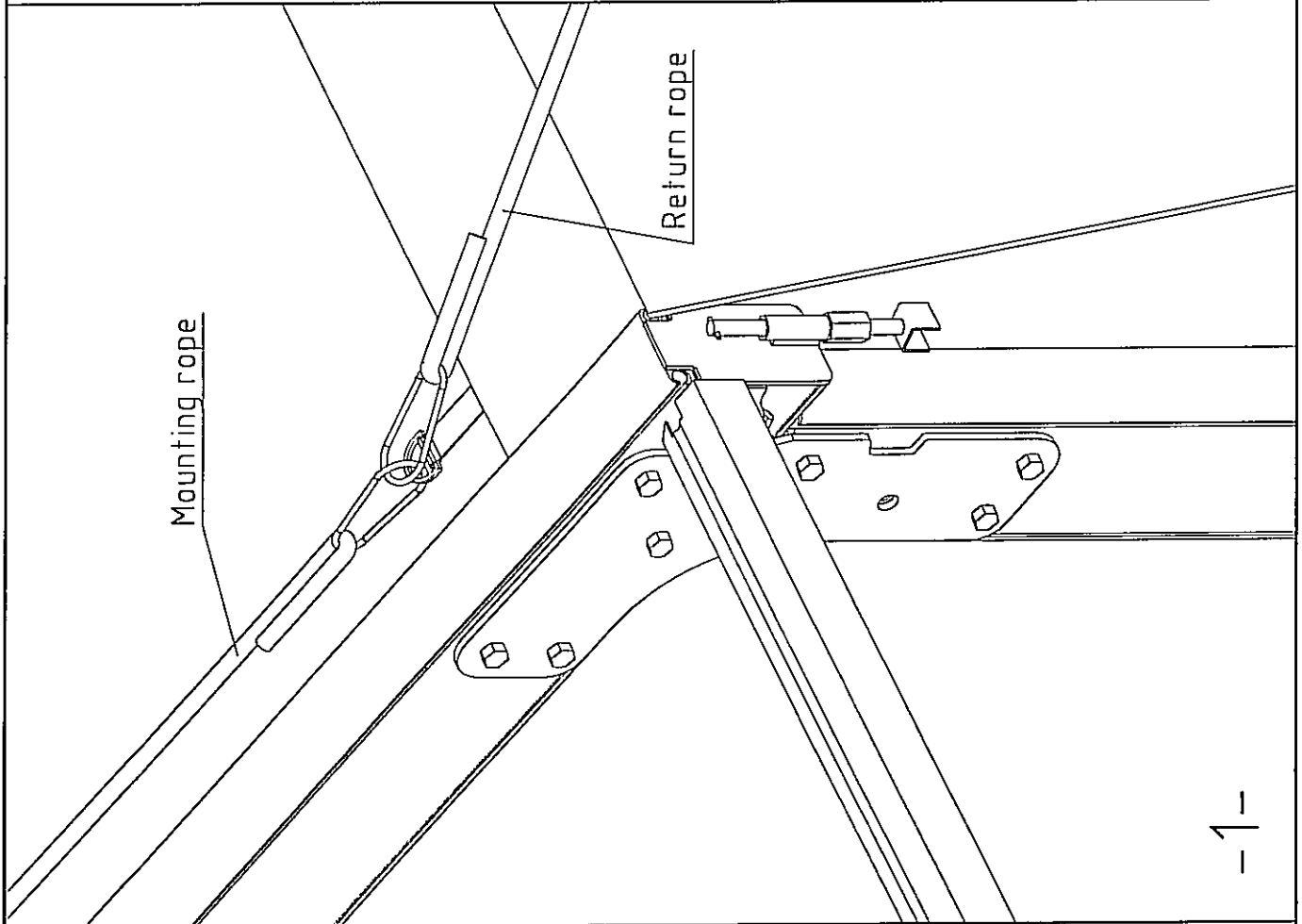
M20x160 + Mu



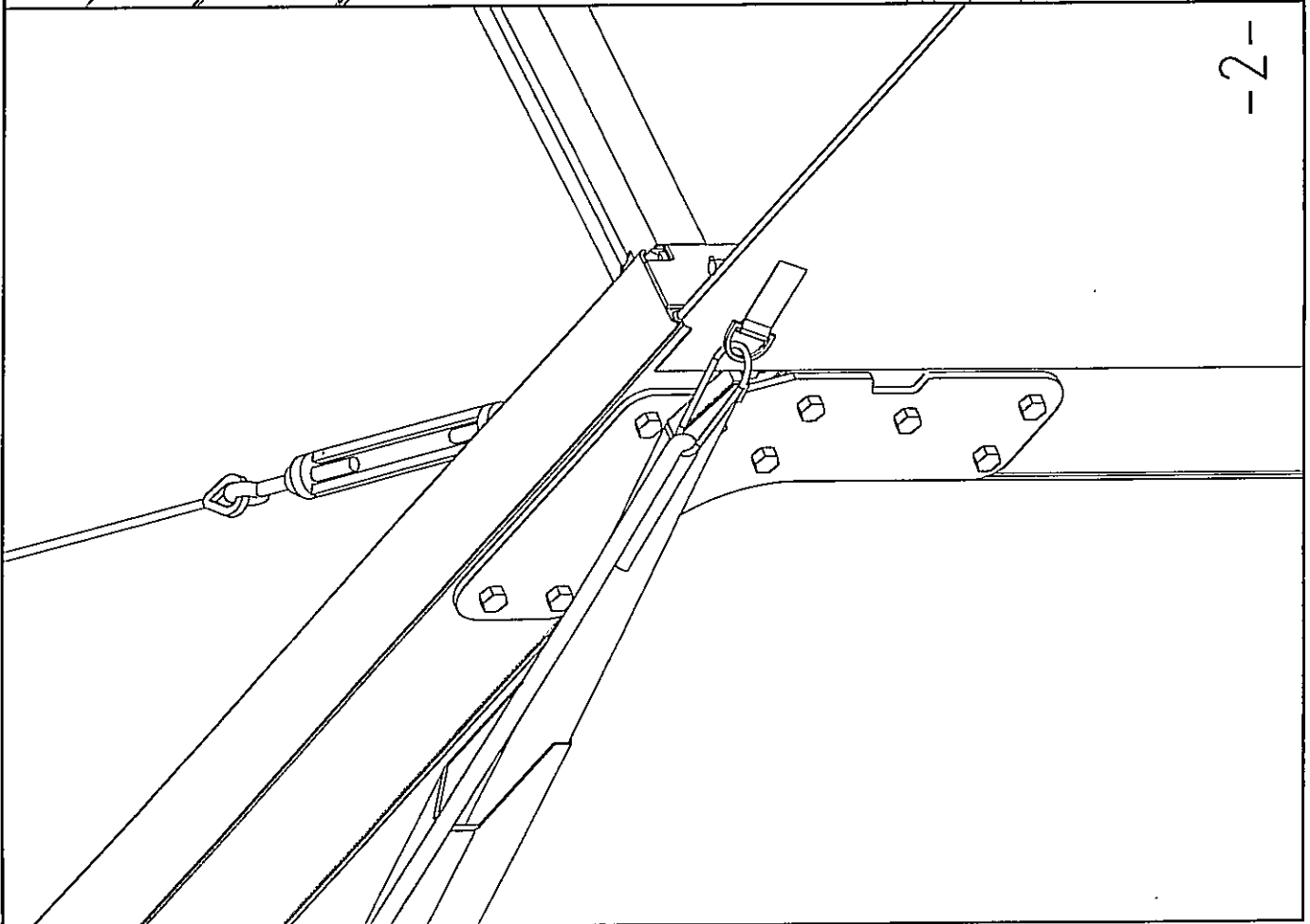
Party and exhibition tent 15,3/...



Assembly guide, canvas

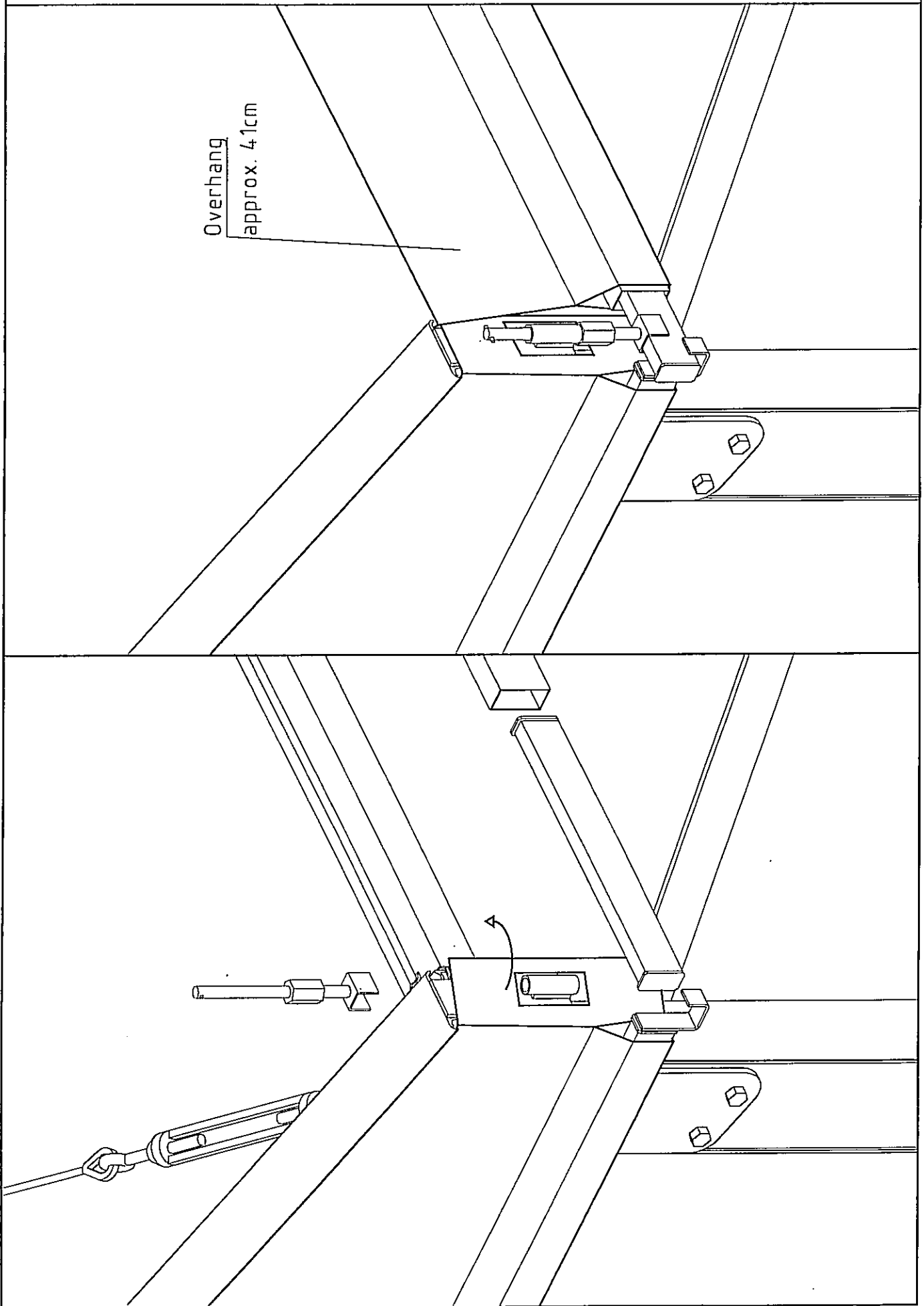


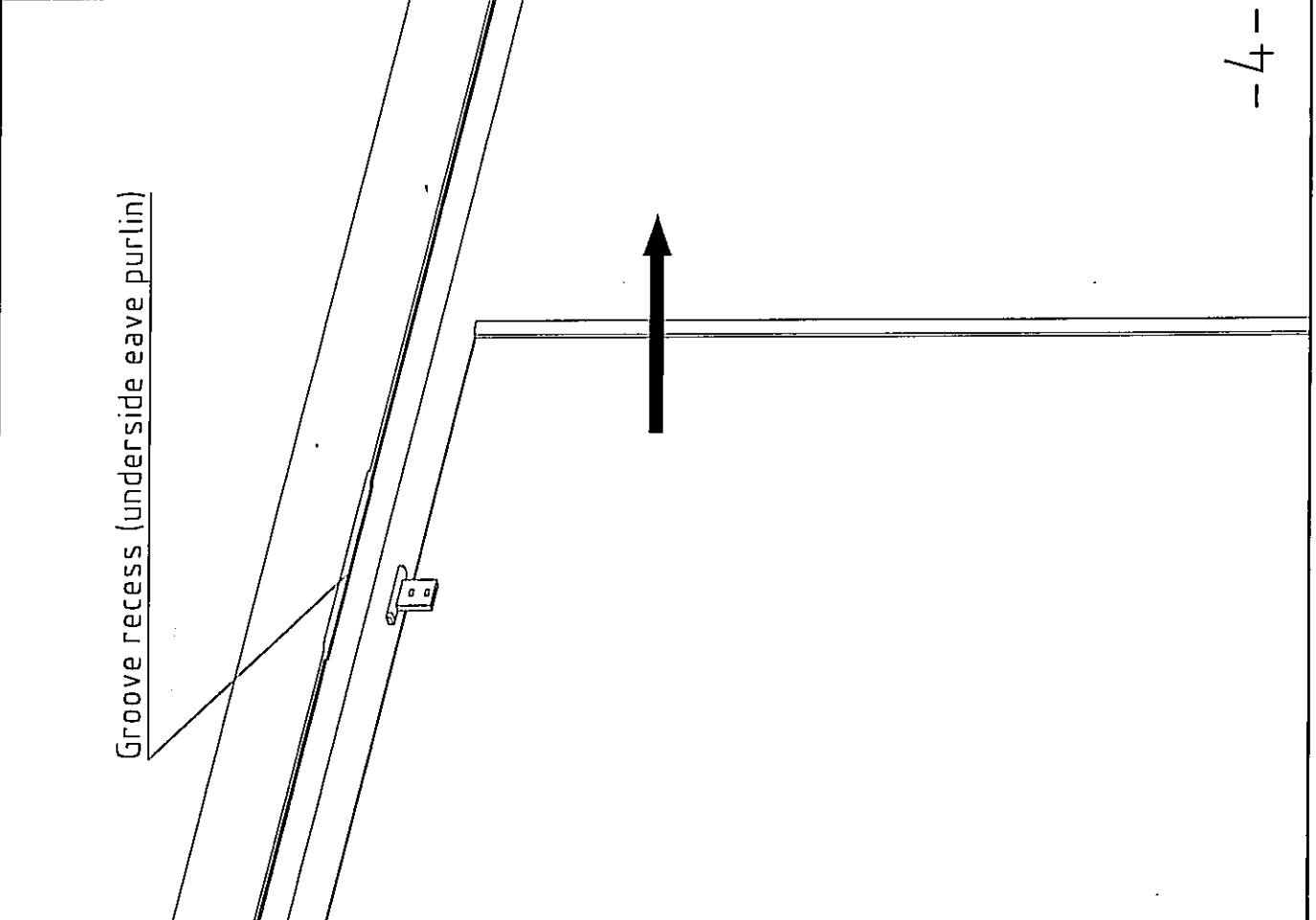
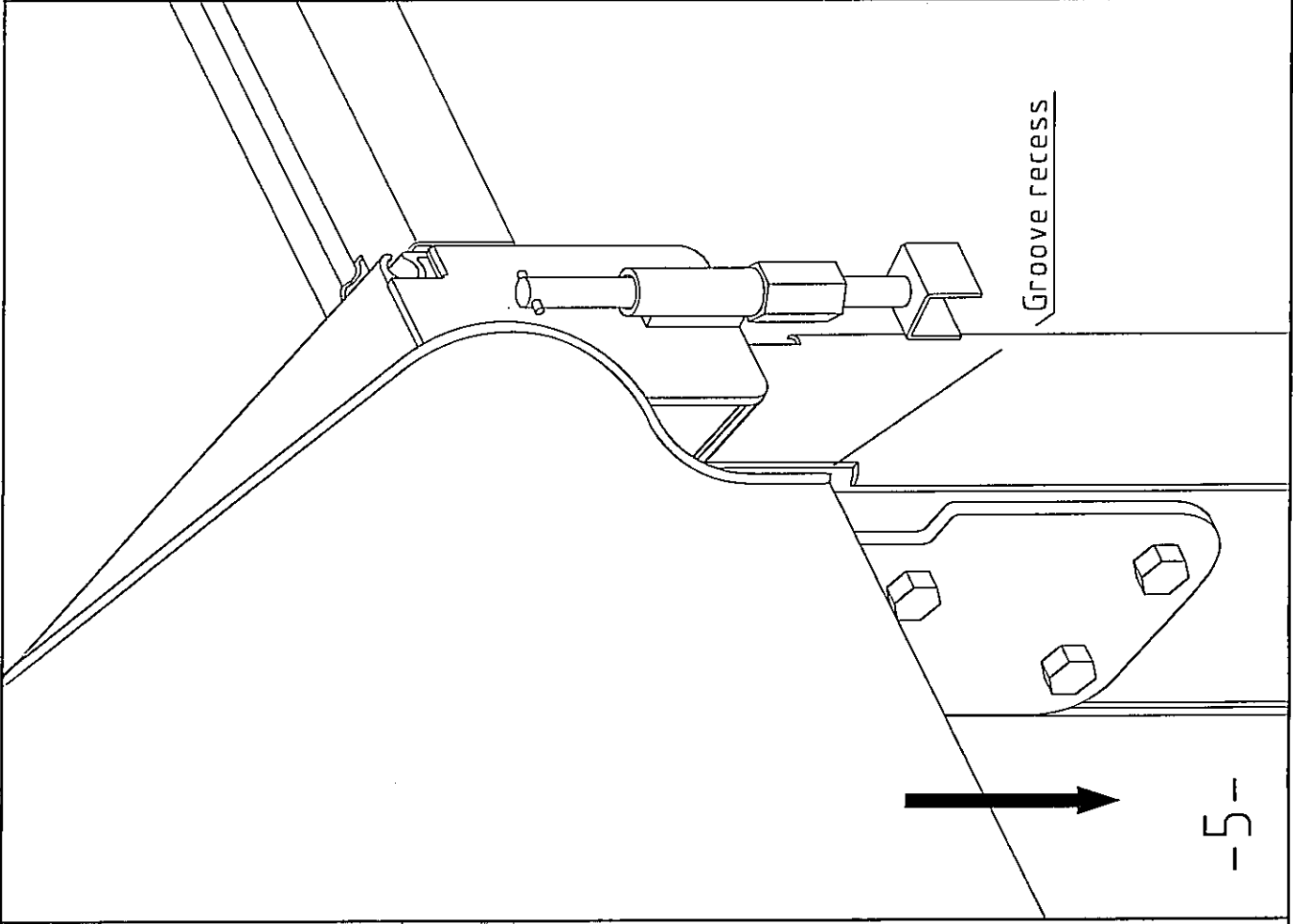
-1-



-2-

Overhang
approx. 4.1cm





Measurement sketch for base plates Rondo 15.3 Anchoring

Steel anchor $\phi 30$, driving depth $l=1.00\text{m}$

