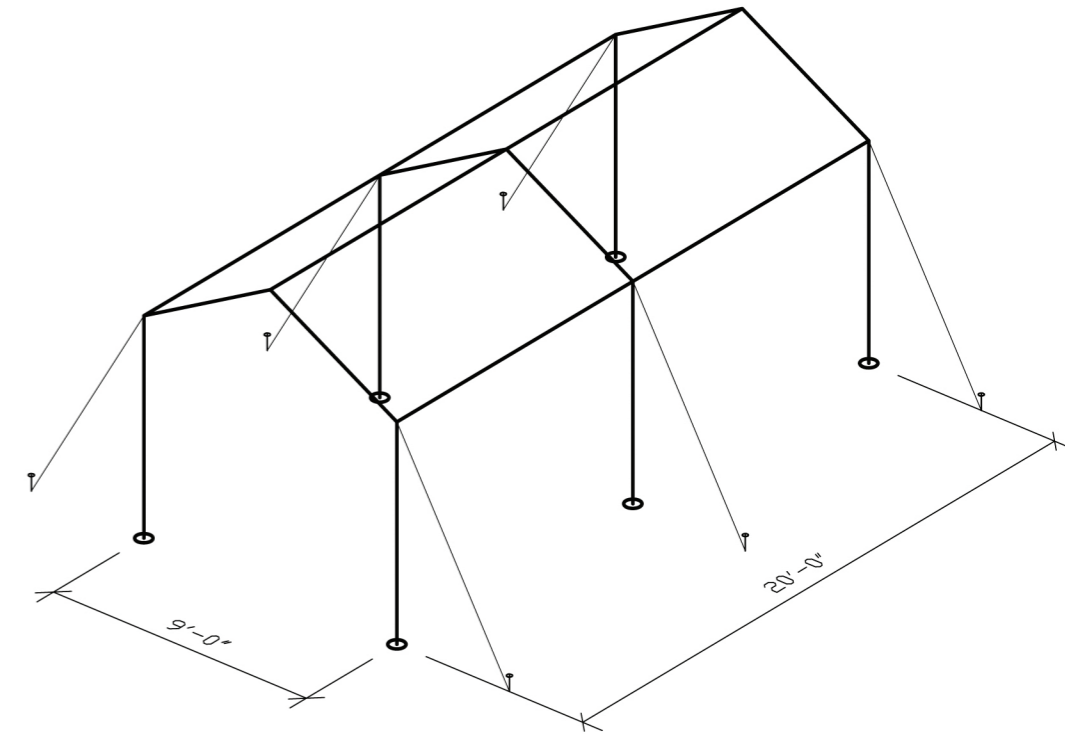
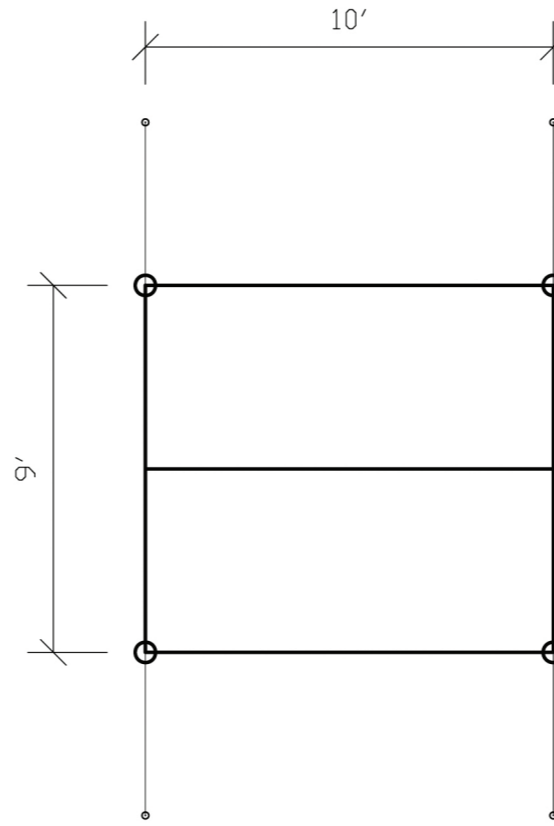
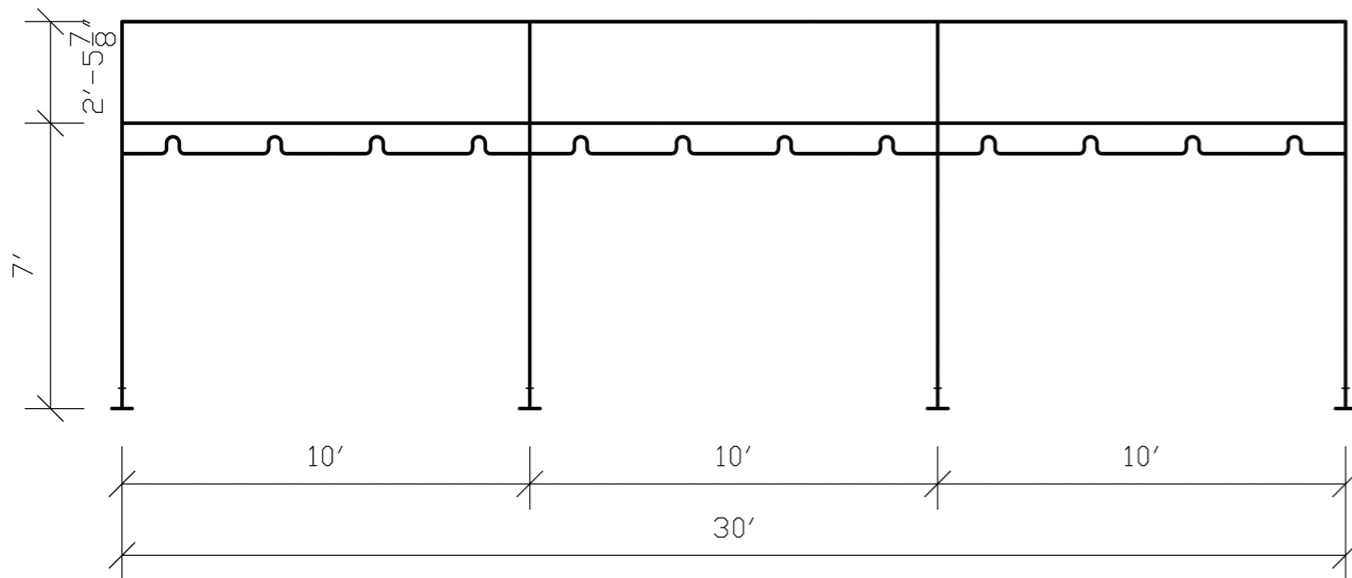


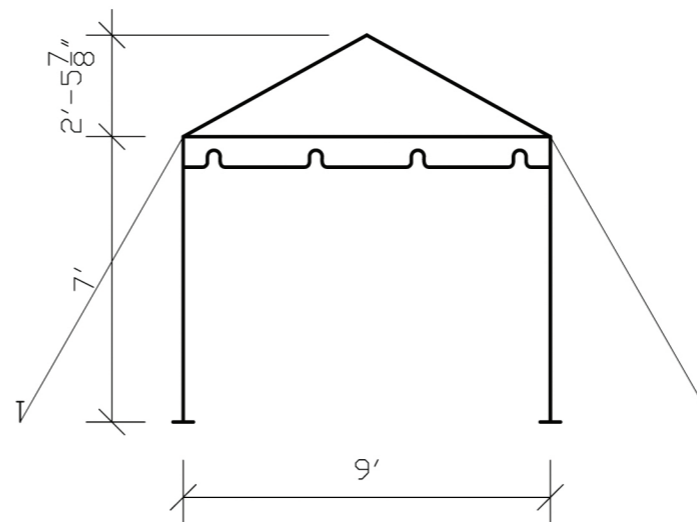
PLAN



ISOMETRIC



SIDE ELEVATION



END ELEVATION

REVISIONS

EC/PR NO	DATE	BY

ANCHOR INDUSTRIES INC.

BROCHURE DRAWING
9' WIDE FIESTA MARQUEE

DRAWN BY: DMK	CHECKED BY:	DRAWING NO.
APPROVED BY:	EC/PR NO.	DATE: 08-18-06

06-253-2-7