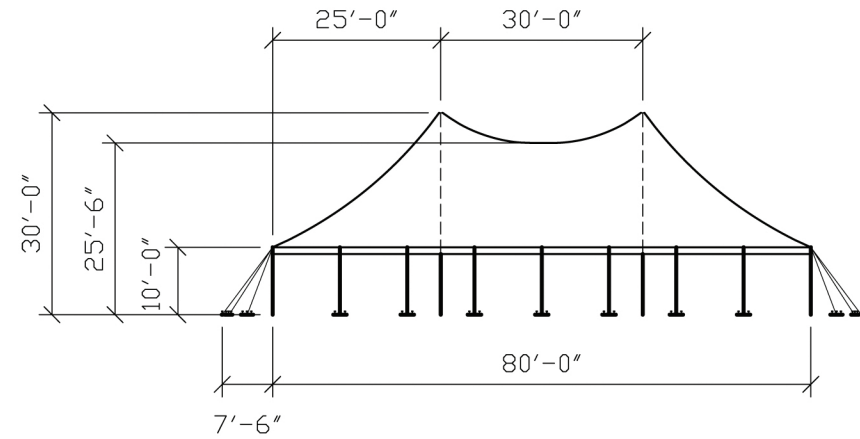
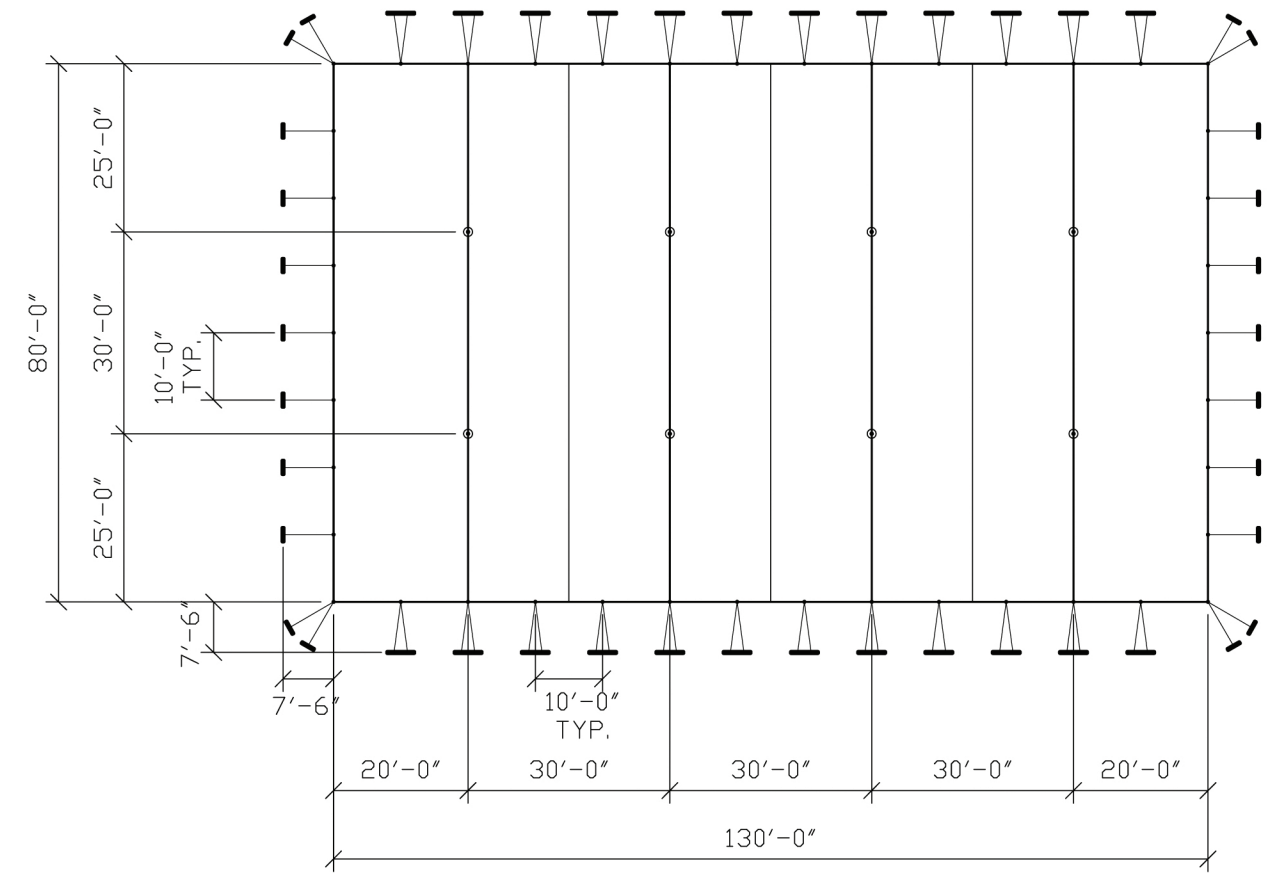


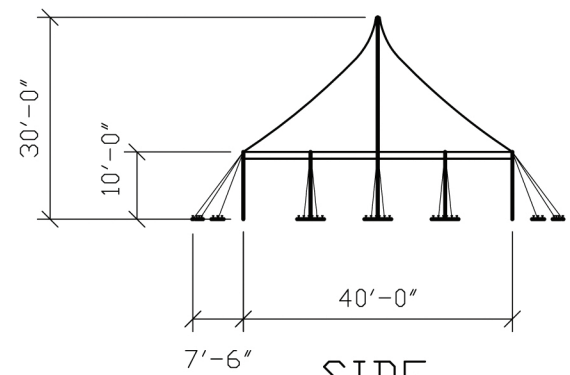
PLAN



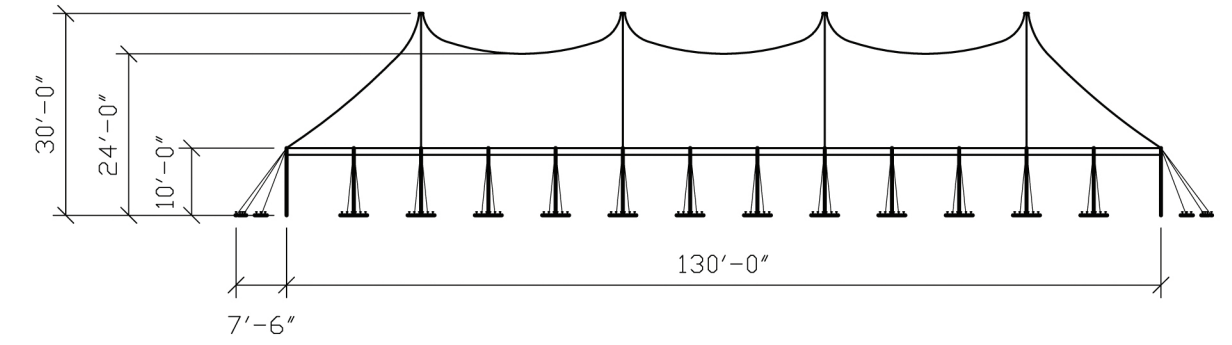
END ELEVATION



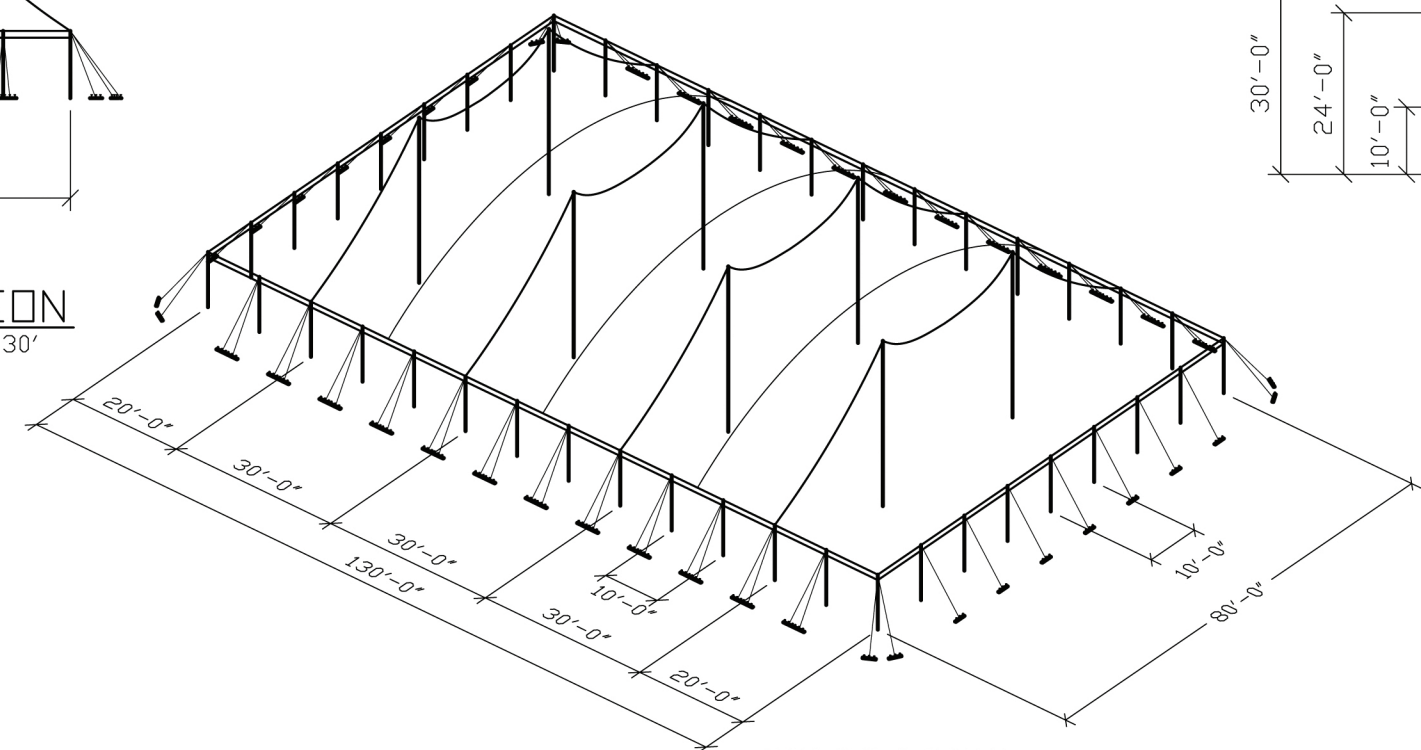
PLAN



SIDE ELEVATION  
SCALE: 1" = 30'



SIDE ELEVATION



ISOMETRIC

NOTES:

1. GUY WEBS THROUGHOUT.
2. 10'-0" SIDE POLE SPACING.
3. 10'-0" EAVE HEIGHT SHOWN.
4. REF. B3-80M REF. 7-31-06.

NON-STANDARD STAKING.

REVISIONS		
EC/PR NO	DATE	BY
1	05-10-11	DMK

ANCHOR INDUSTRIES INC.

BROCHURE DRAWING  
80' CENTURY TENT WITH 30' MIDS

DRAWN BY: DMK	CHECKED BY:	DRAWING NO.
APPROVED BY:	EC/PR NO.	DATE: 08-18-06

06-253-3-7