

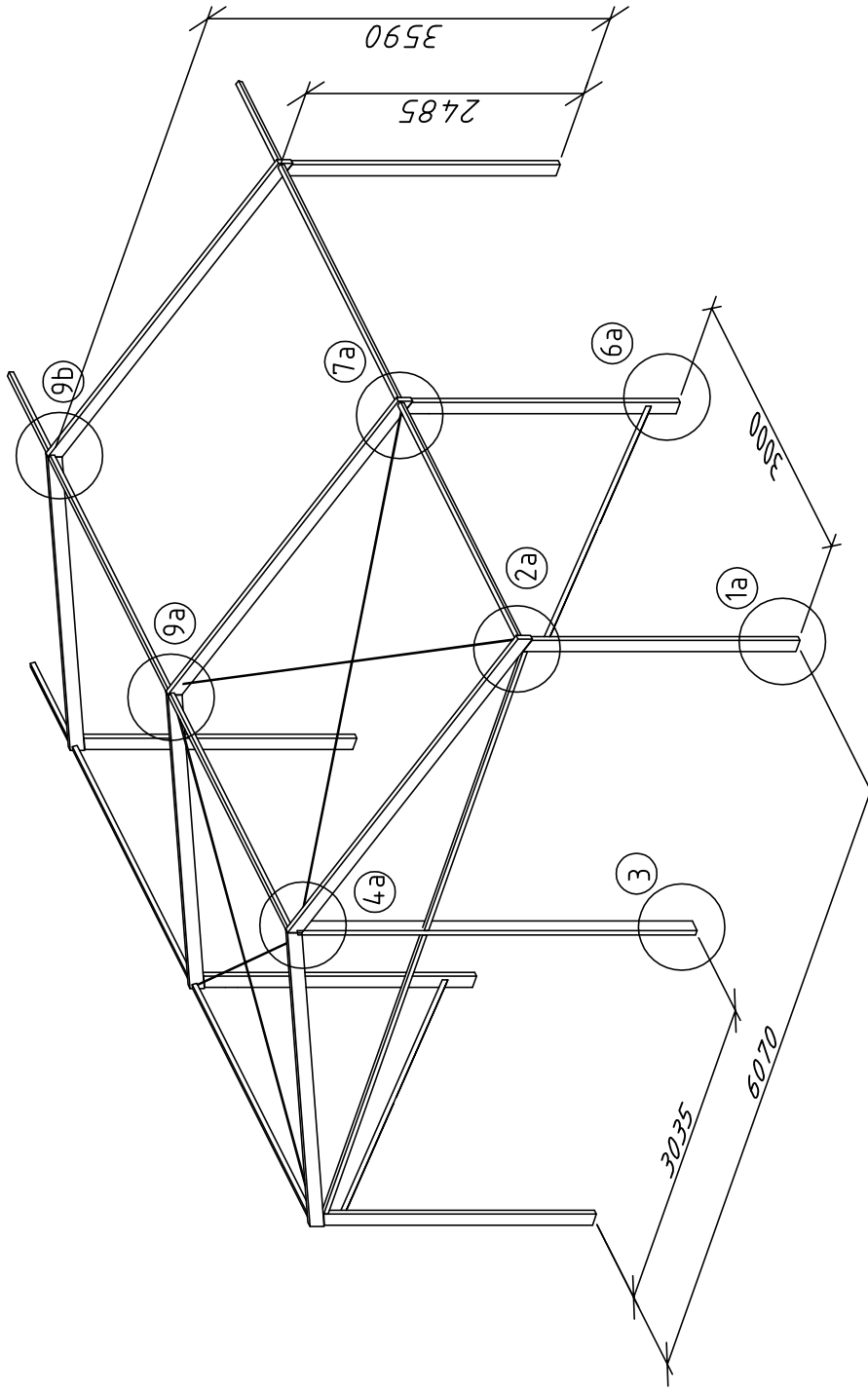
Party and exhibition tents system multiflex

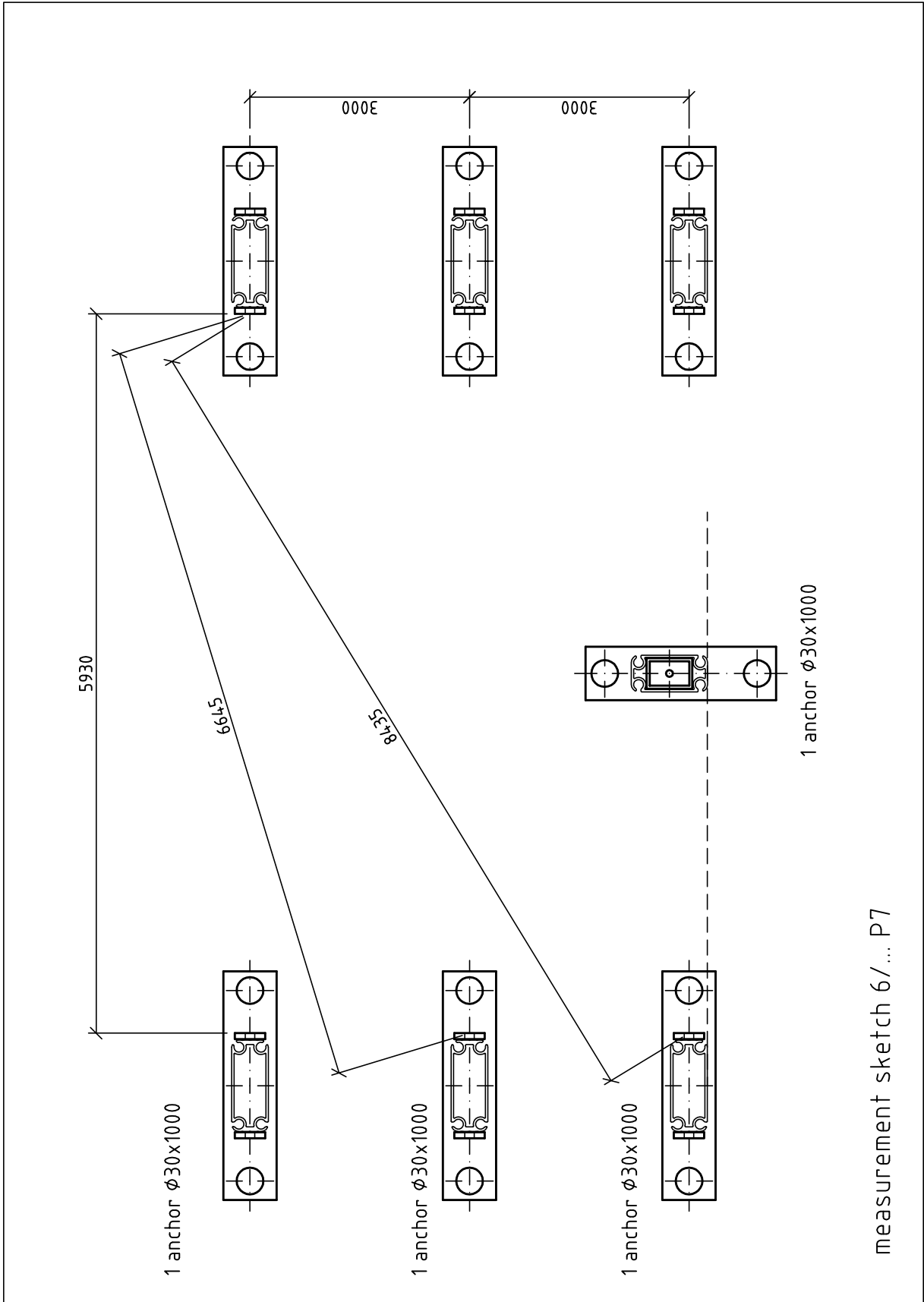
Assembly guide

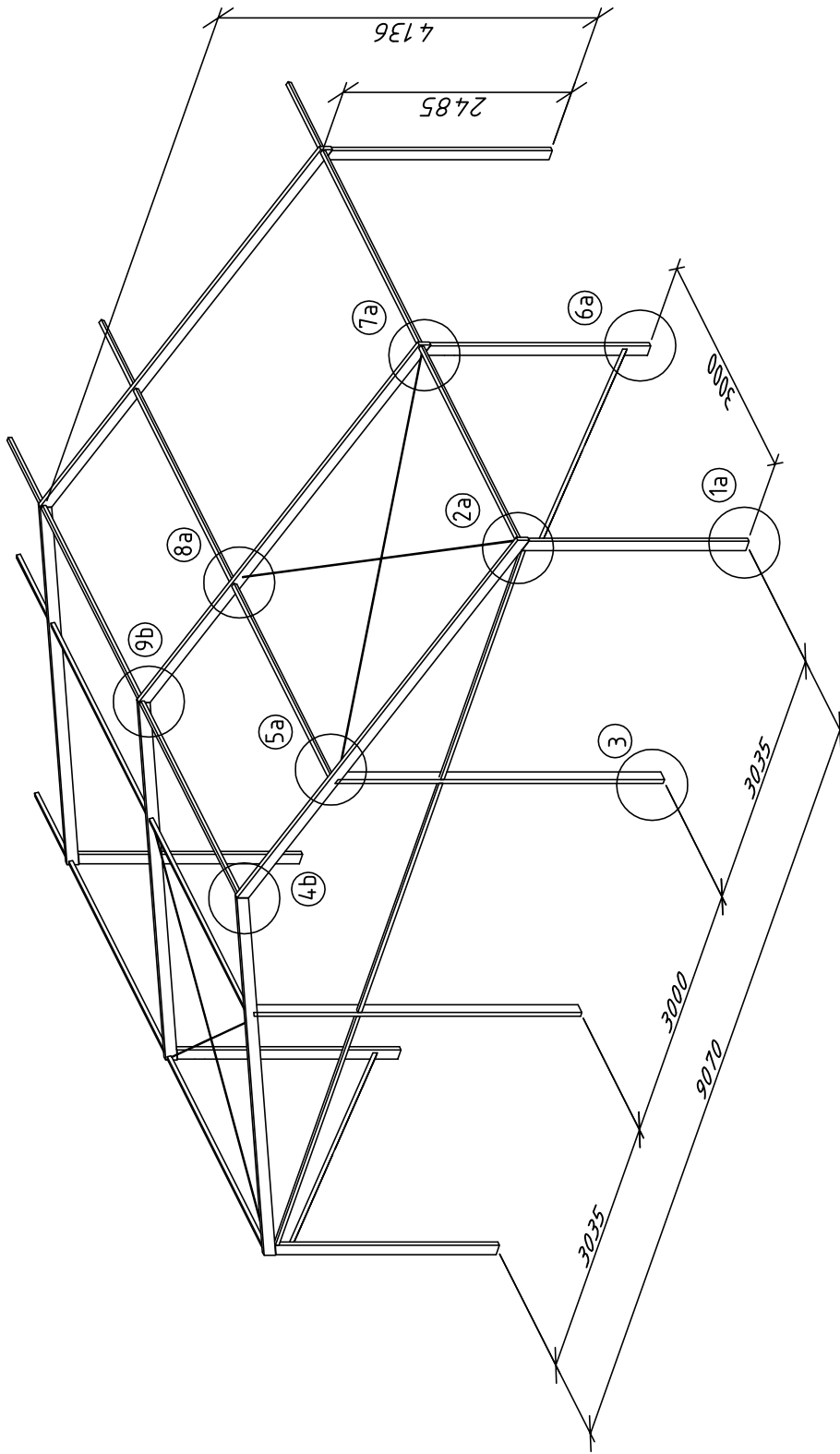
Type 6 to 15/250 P7

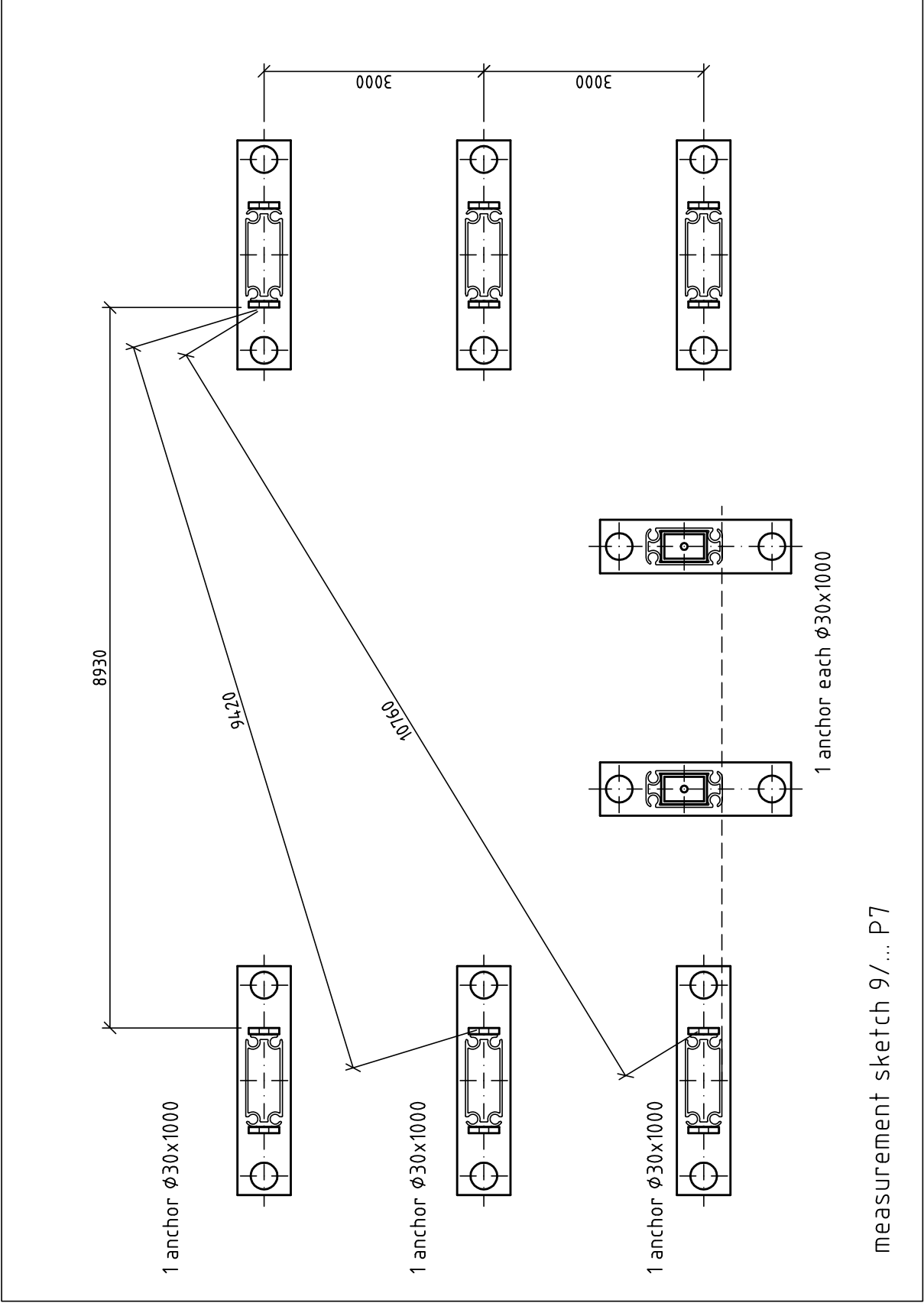
Losberger Intertent GmbH × Gottlieb-Daimler-Ring 14 × 74906 Bad Rappenau

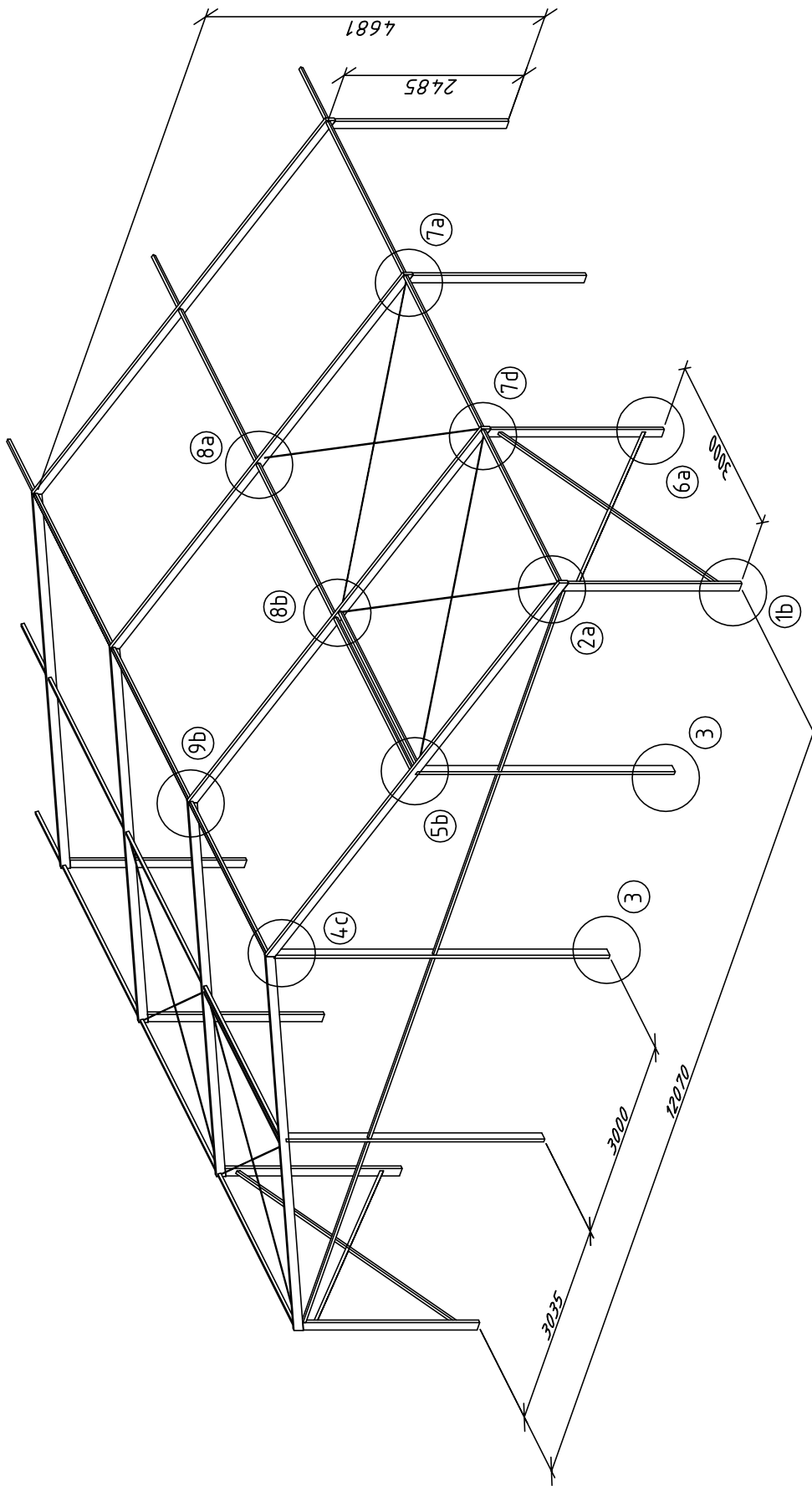
Telefon (07066) 980-0 × Telefax 980-232





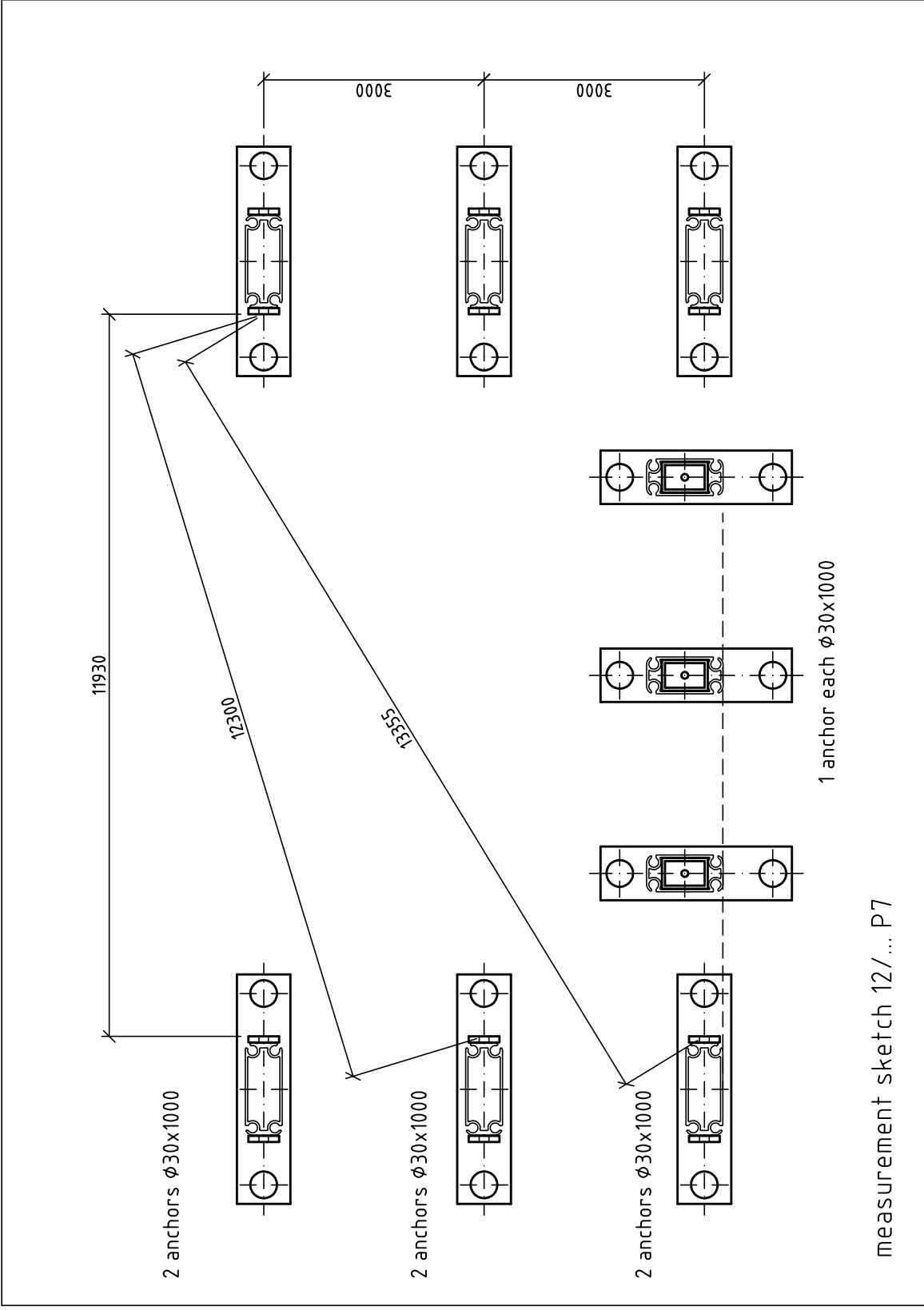


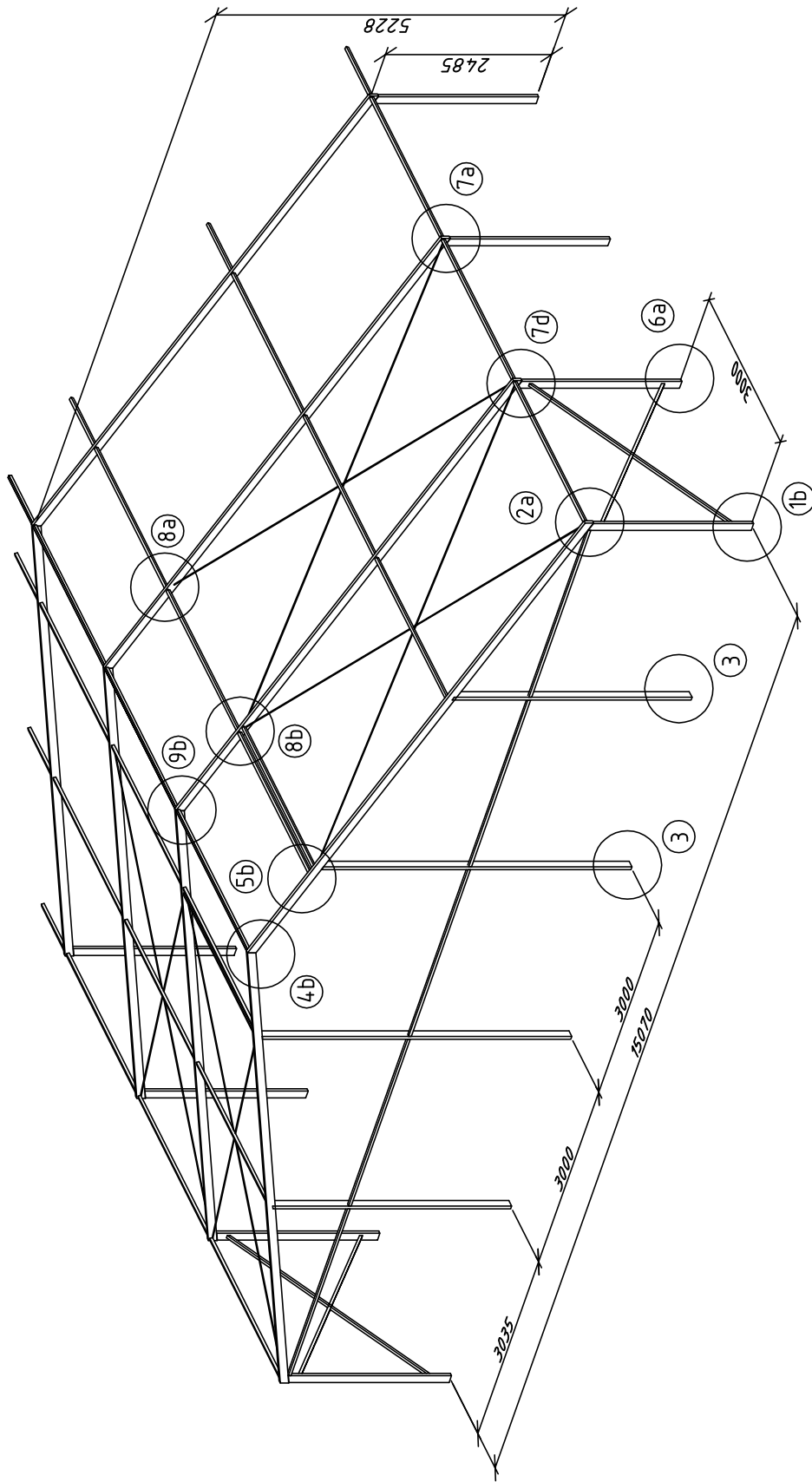




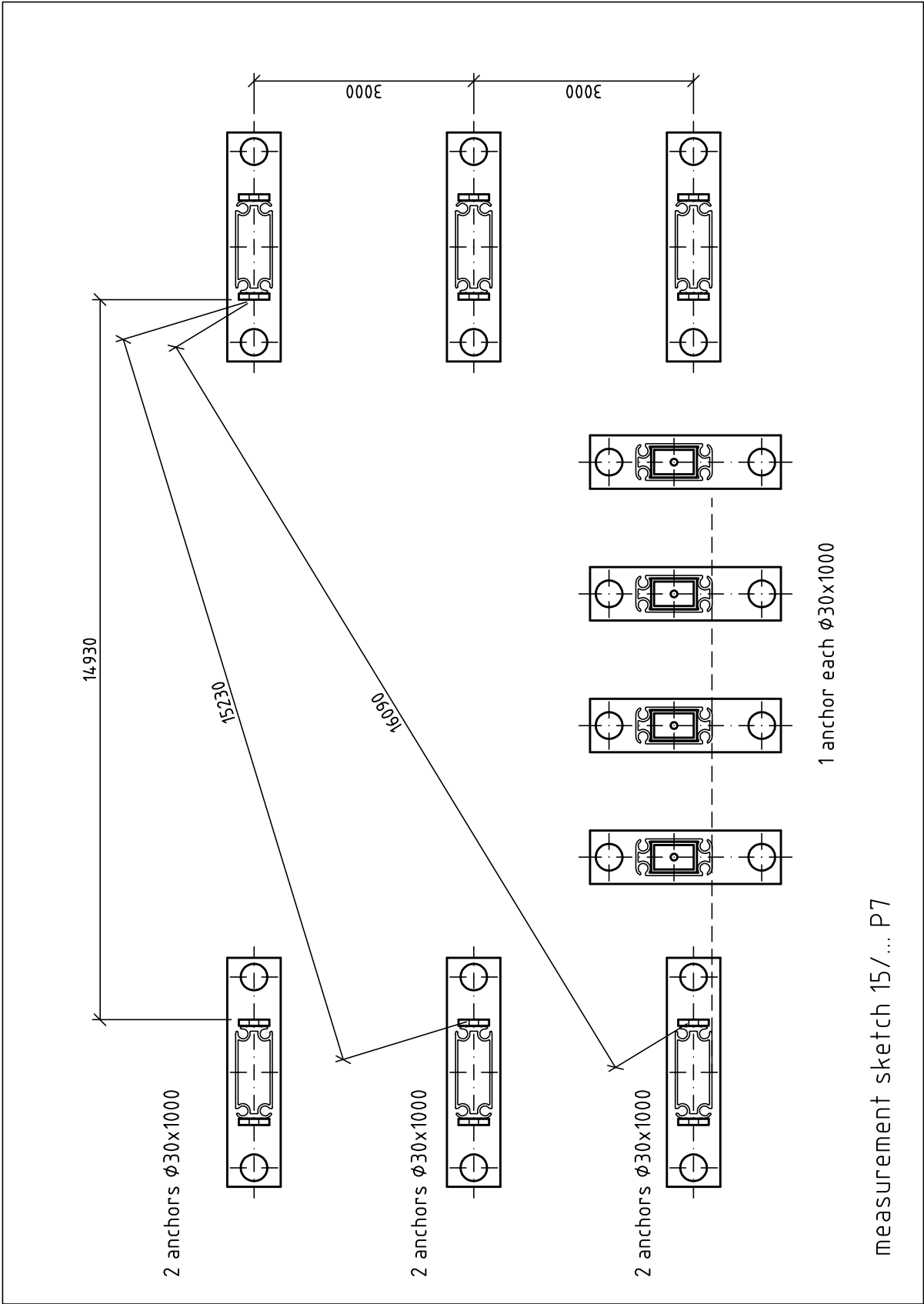
multiflex 12/... P7 Assembly guide, frame

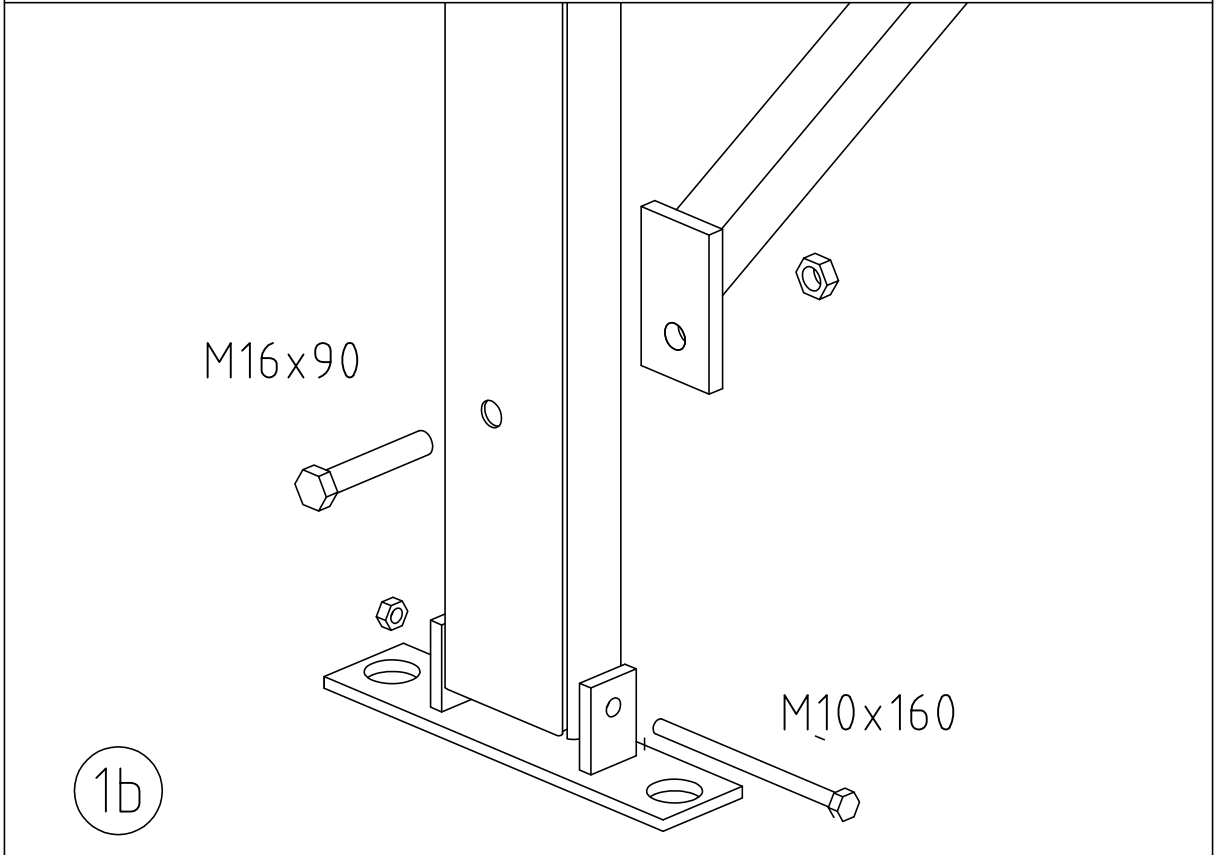
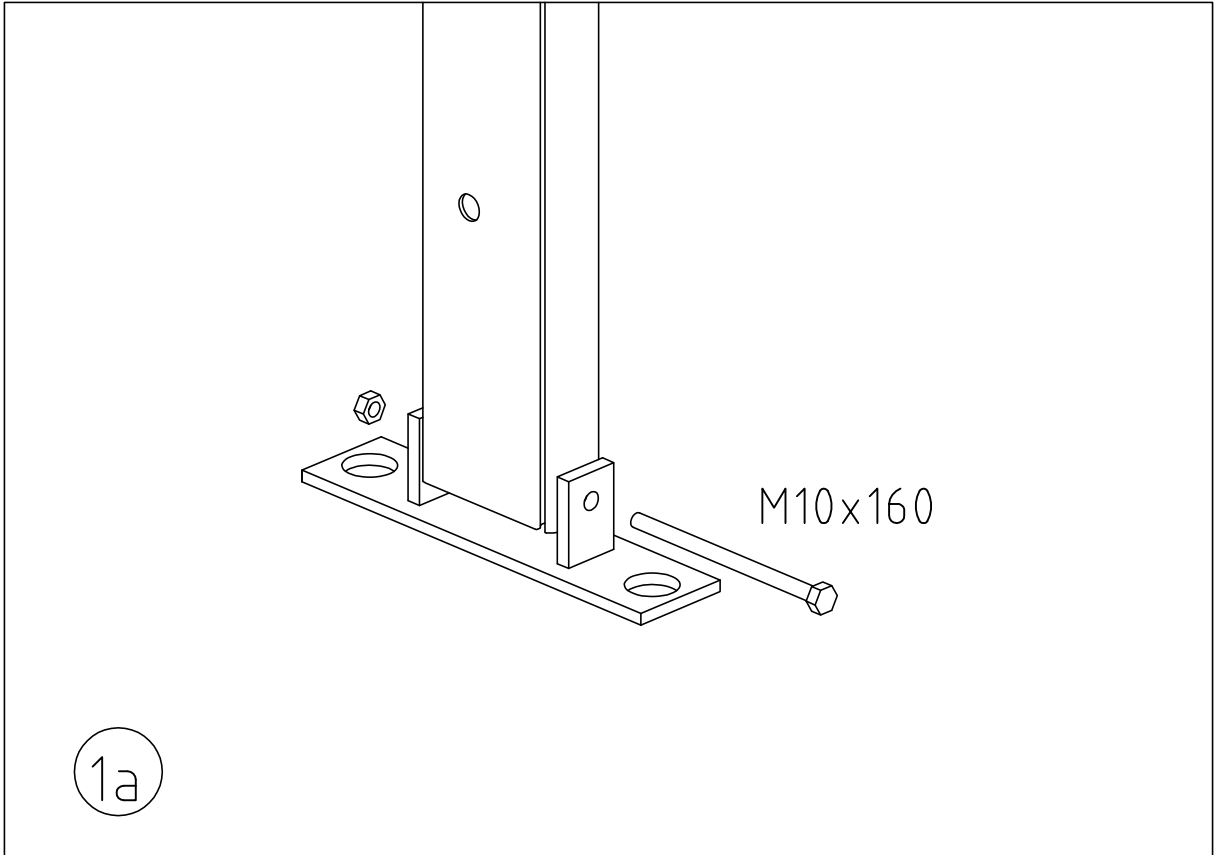


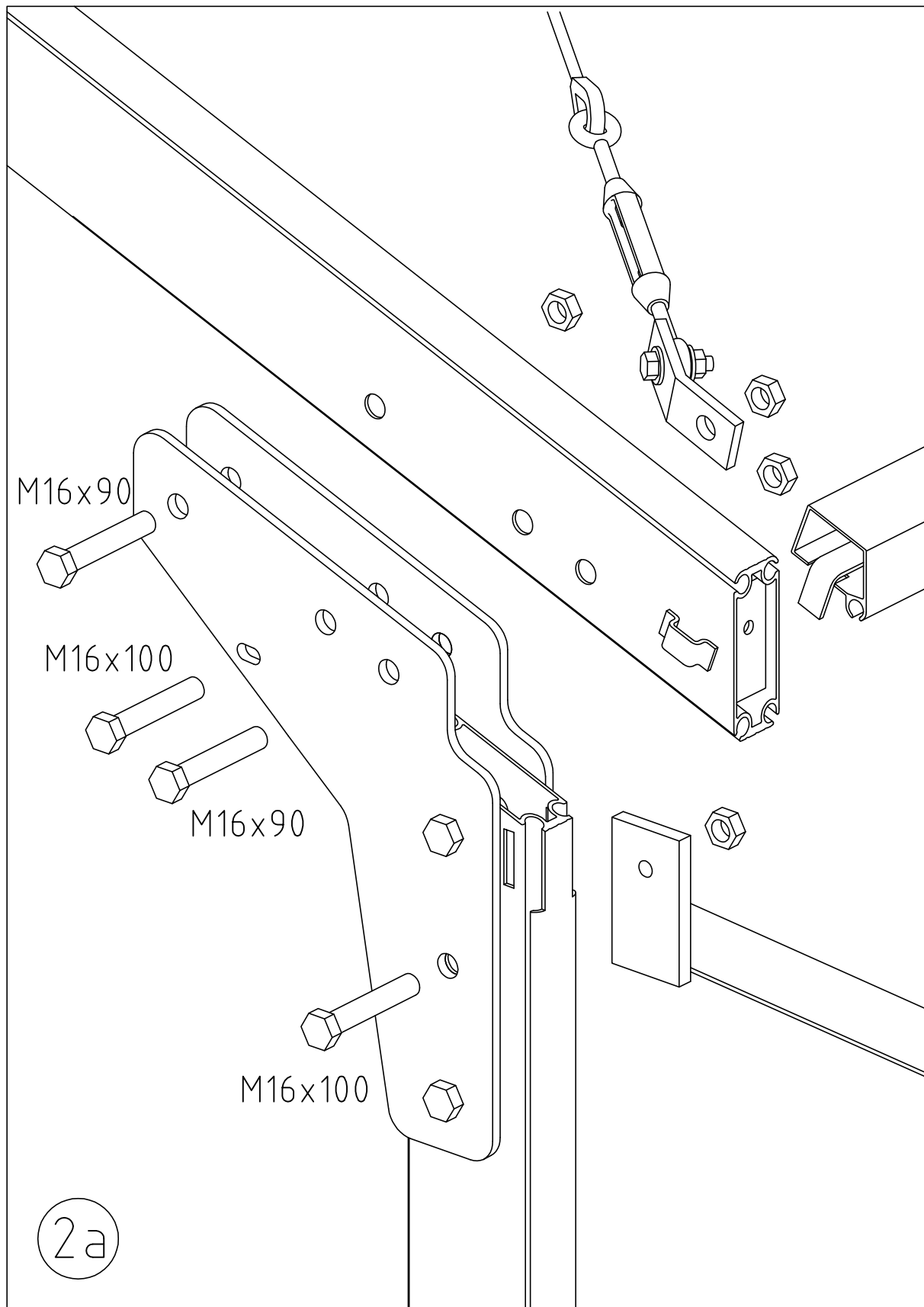


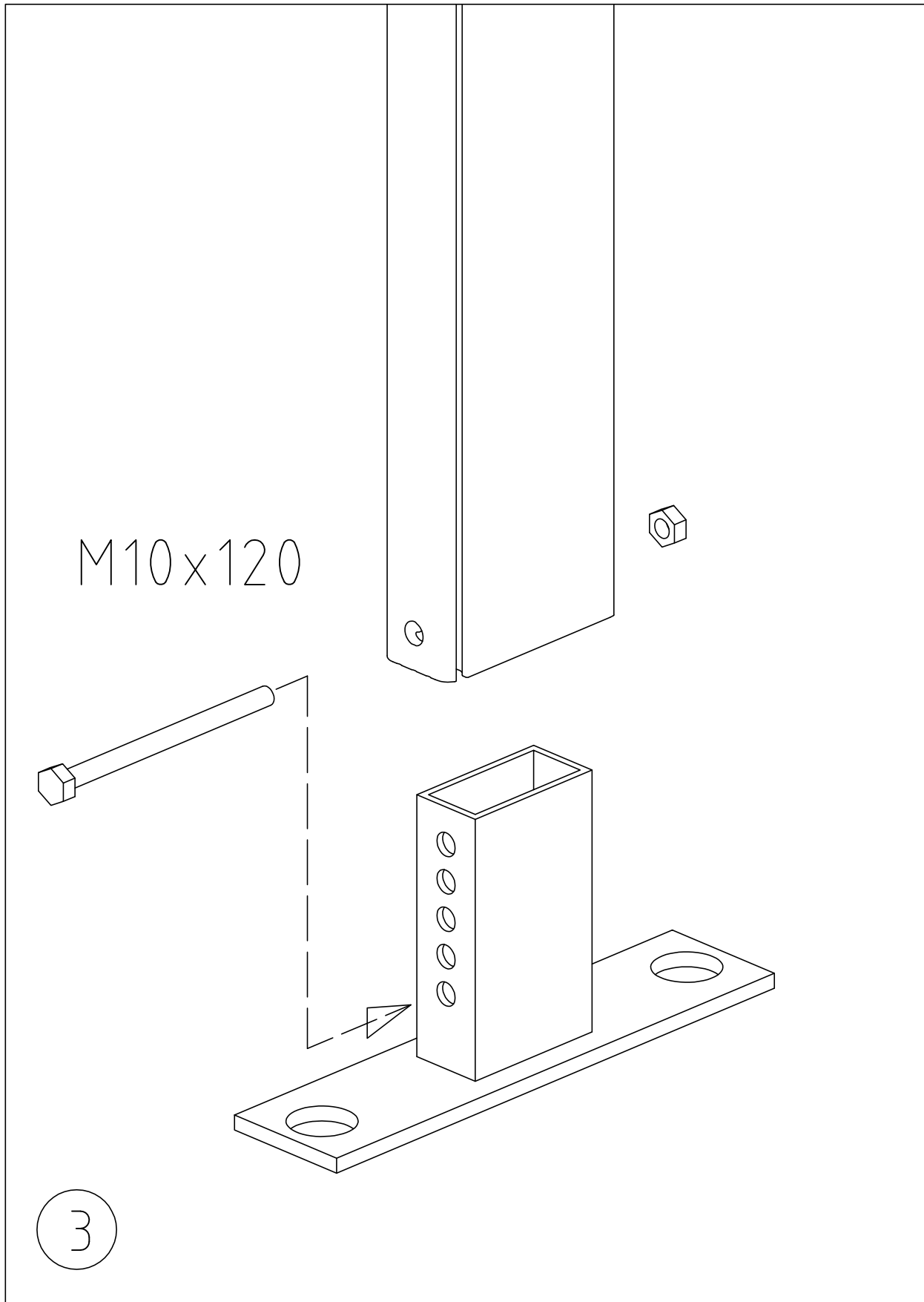


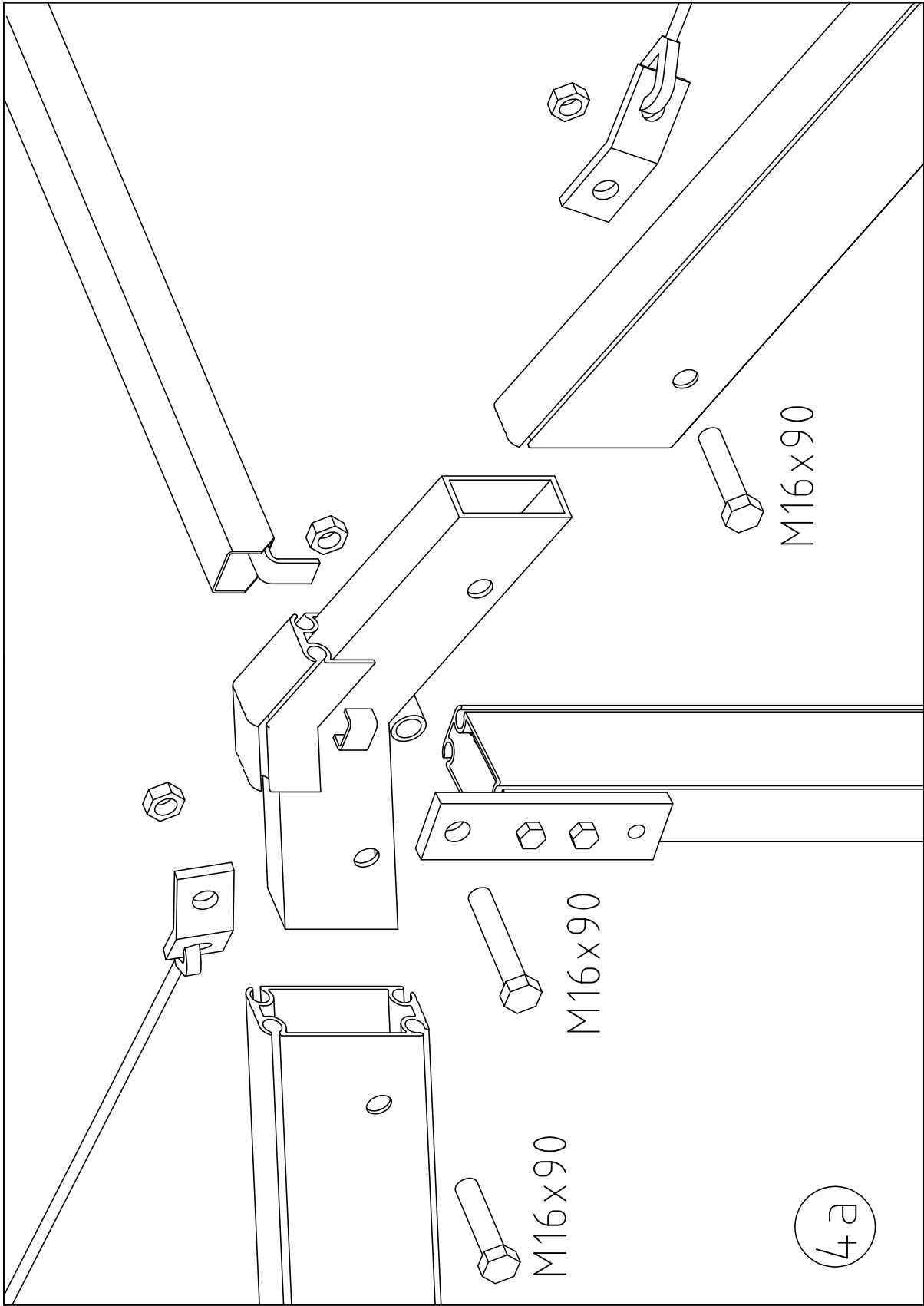
multiflex 15/... P7 Assembly guide, frame

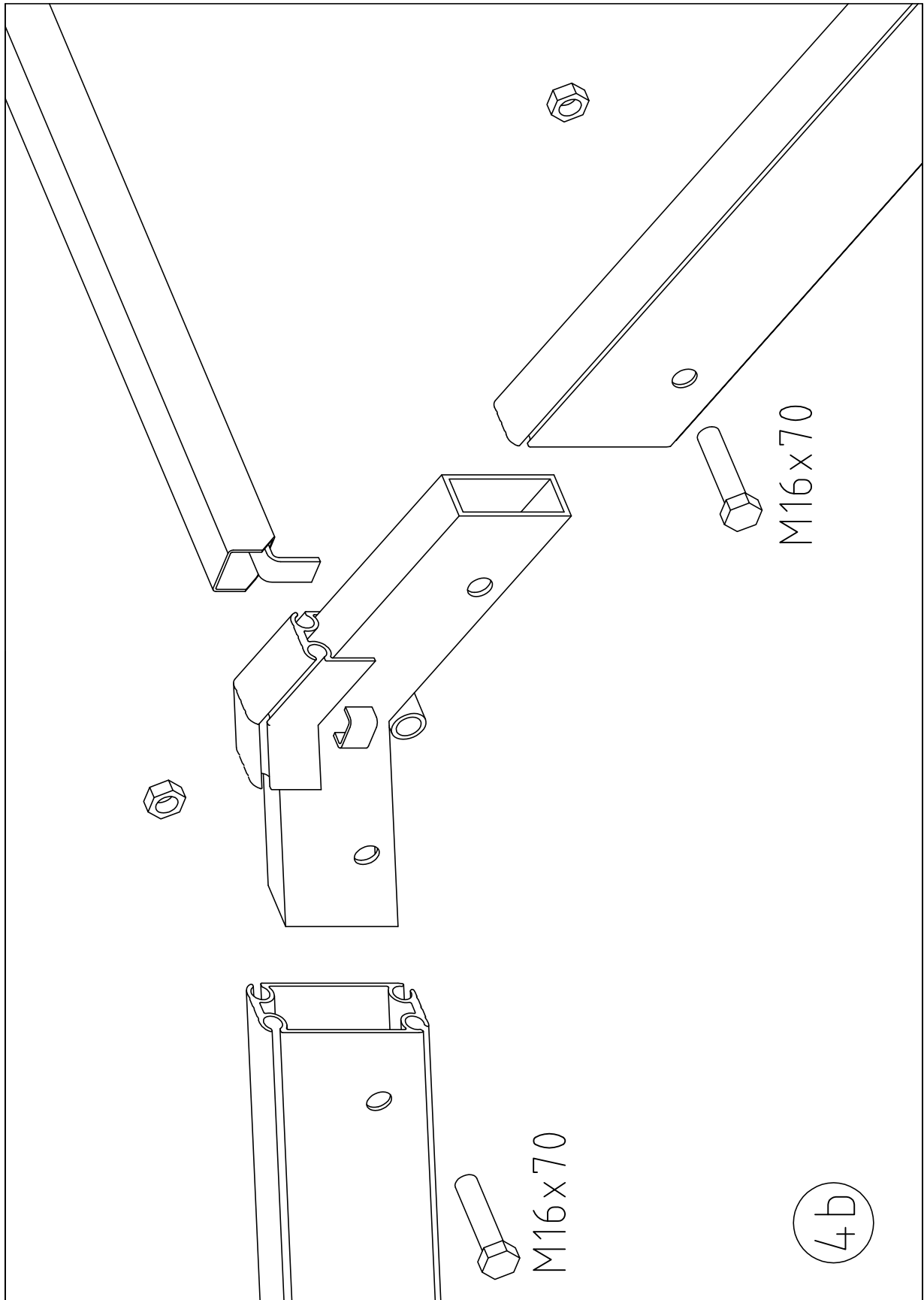


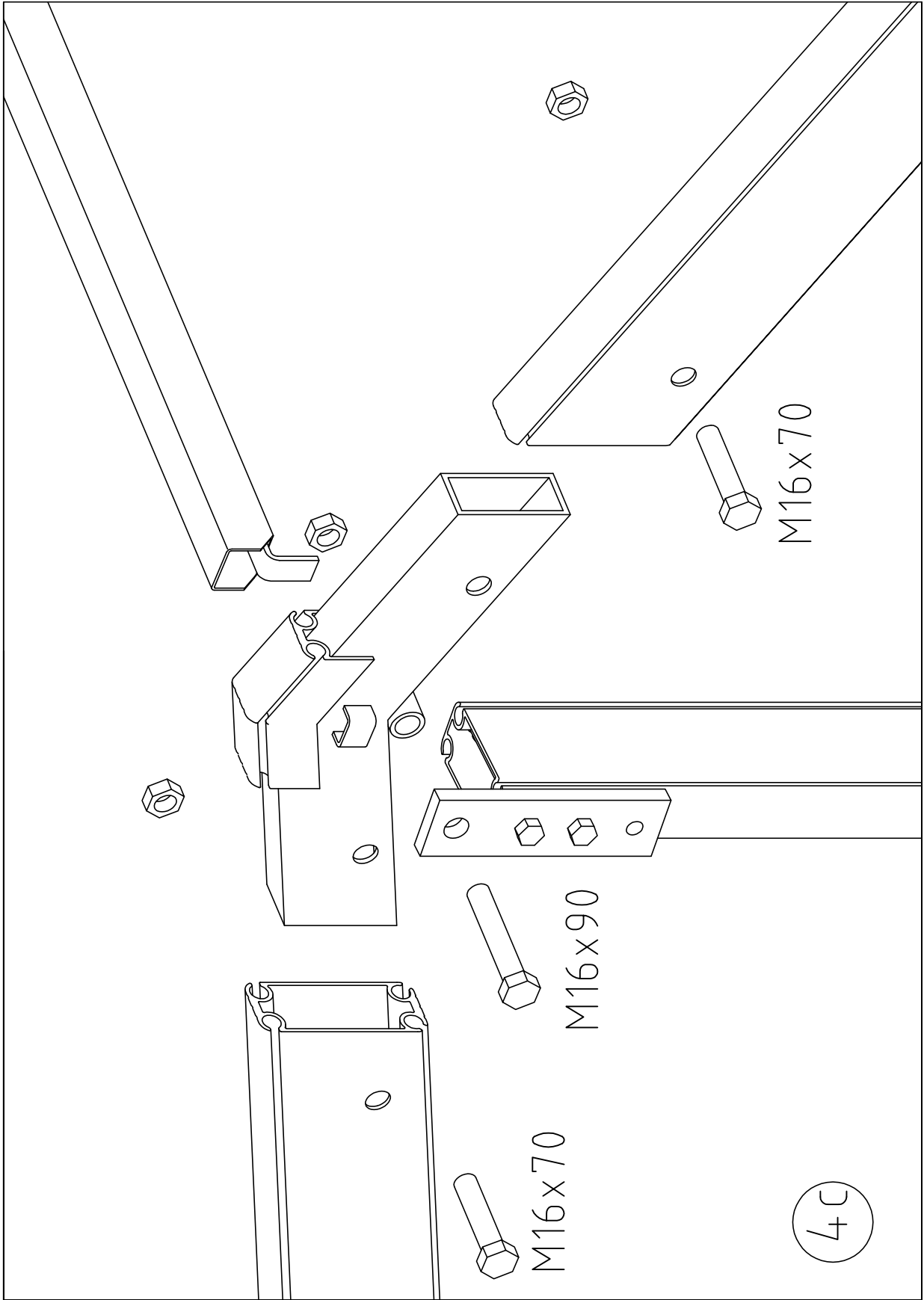




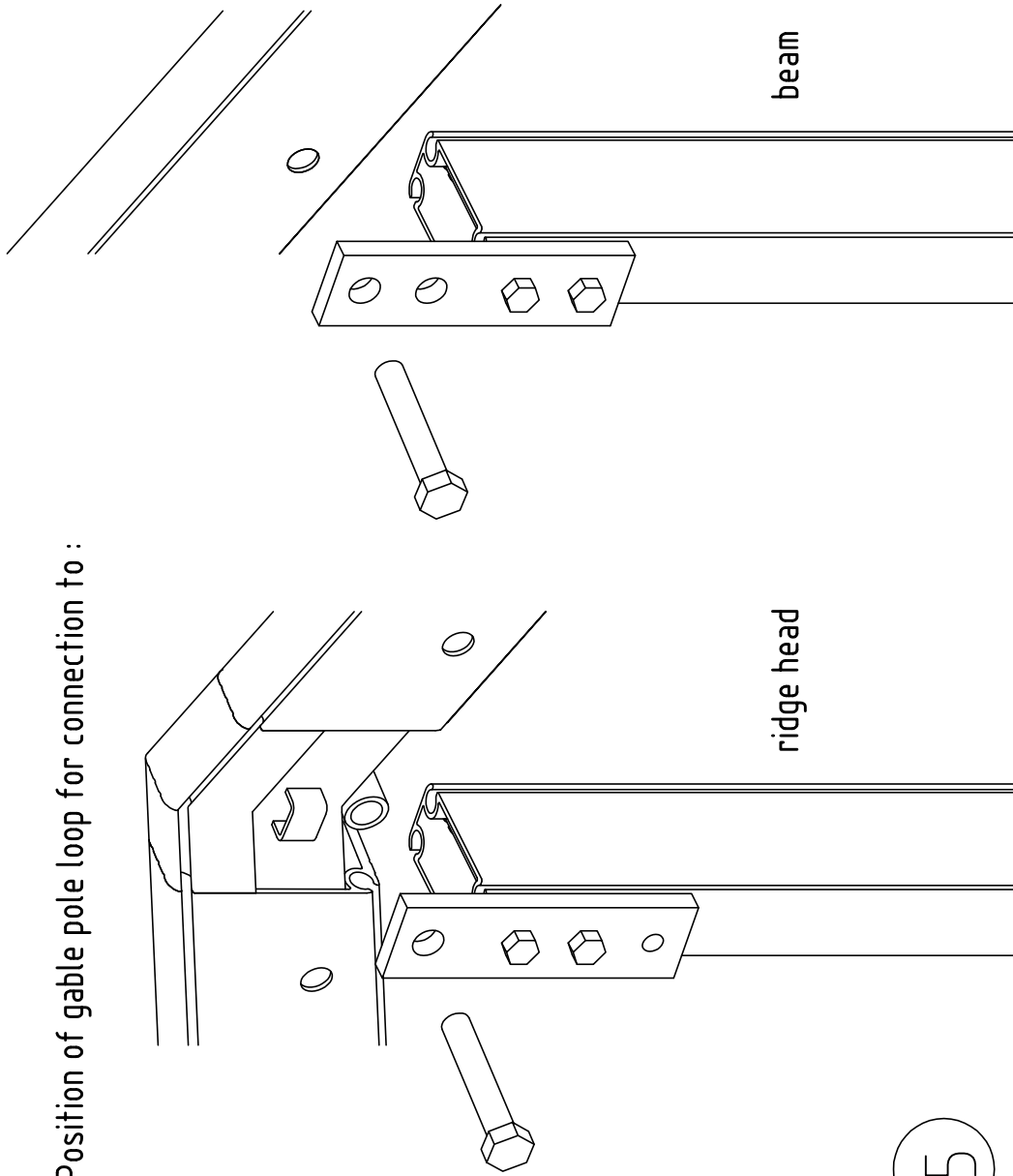




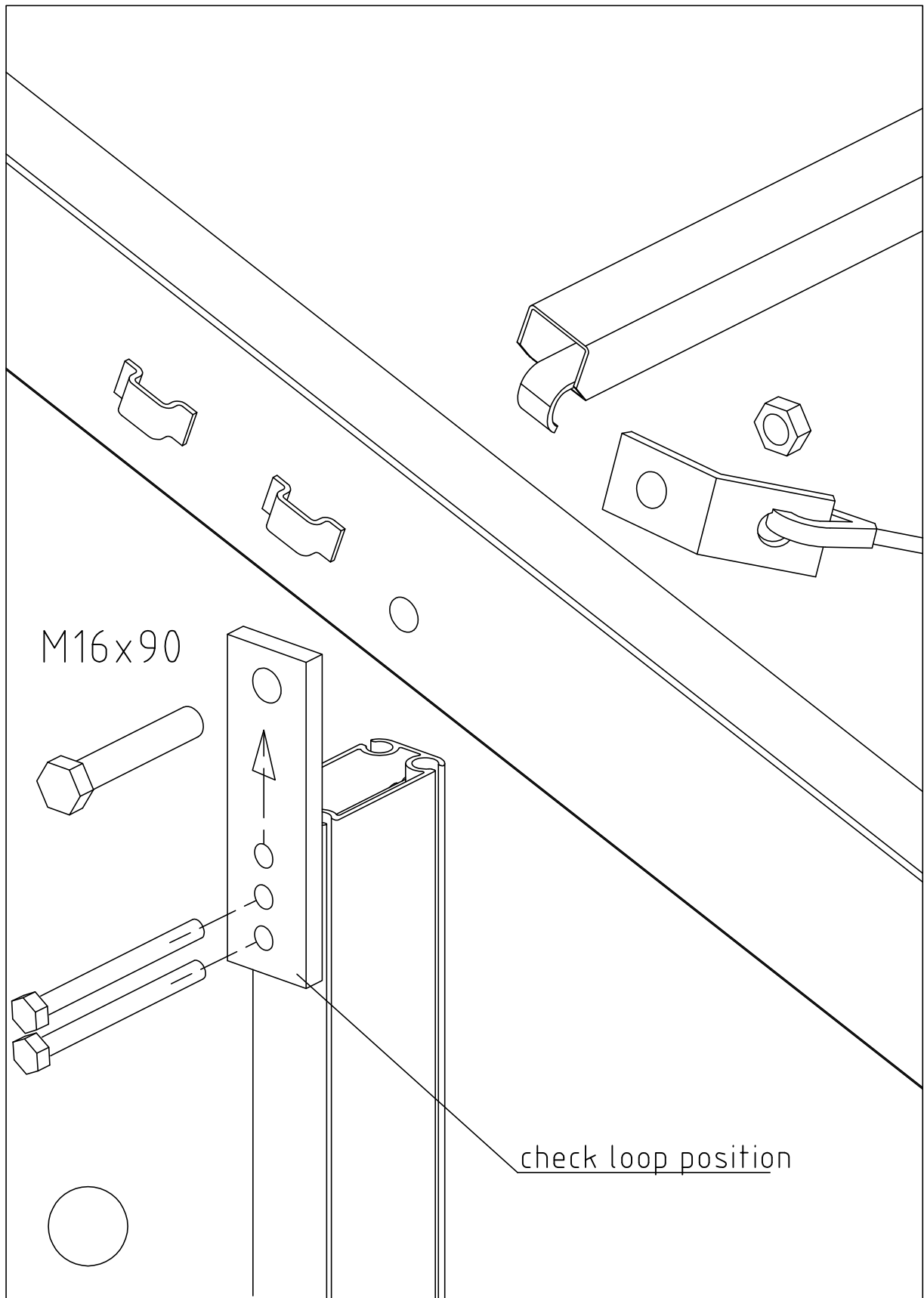


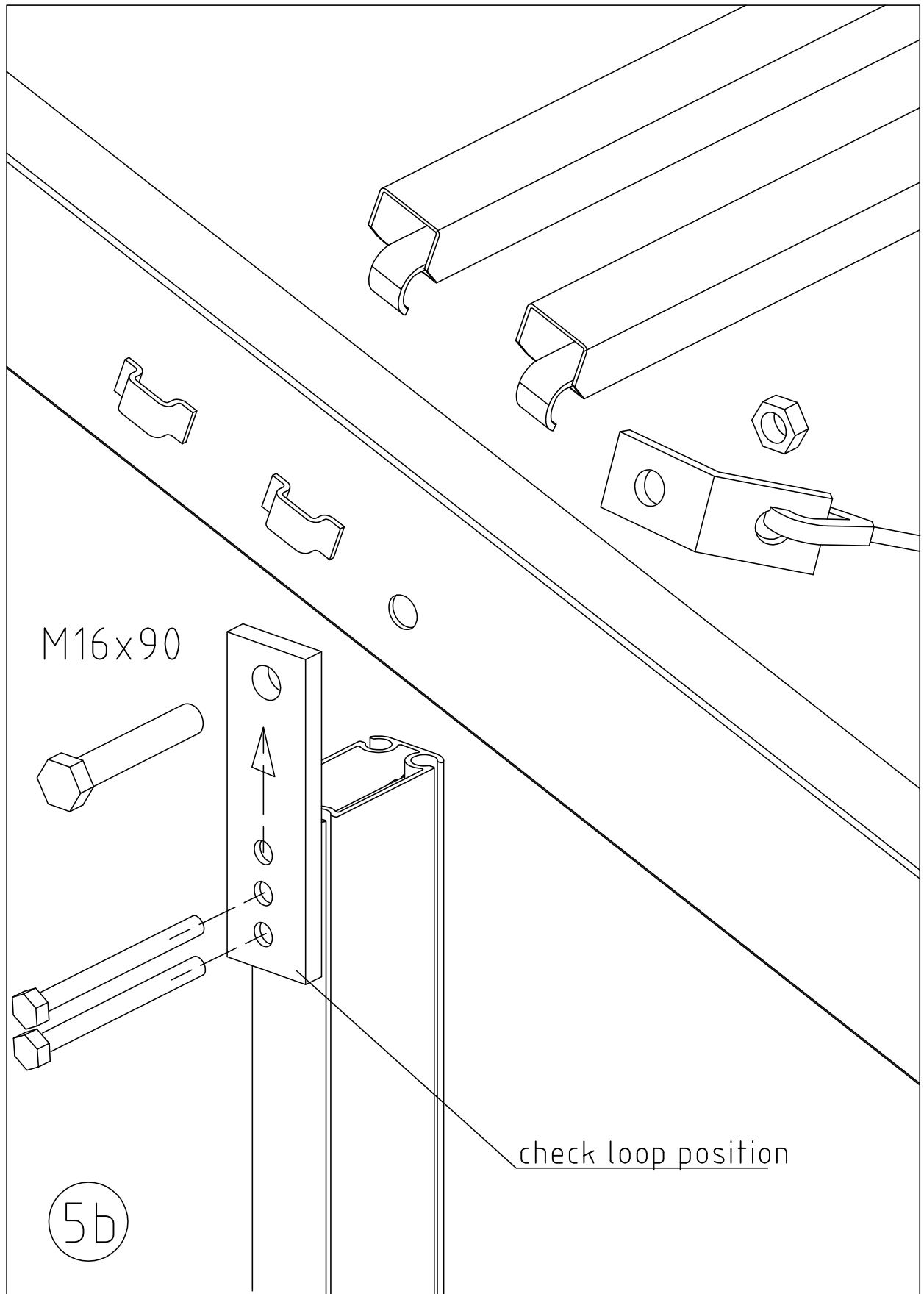


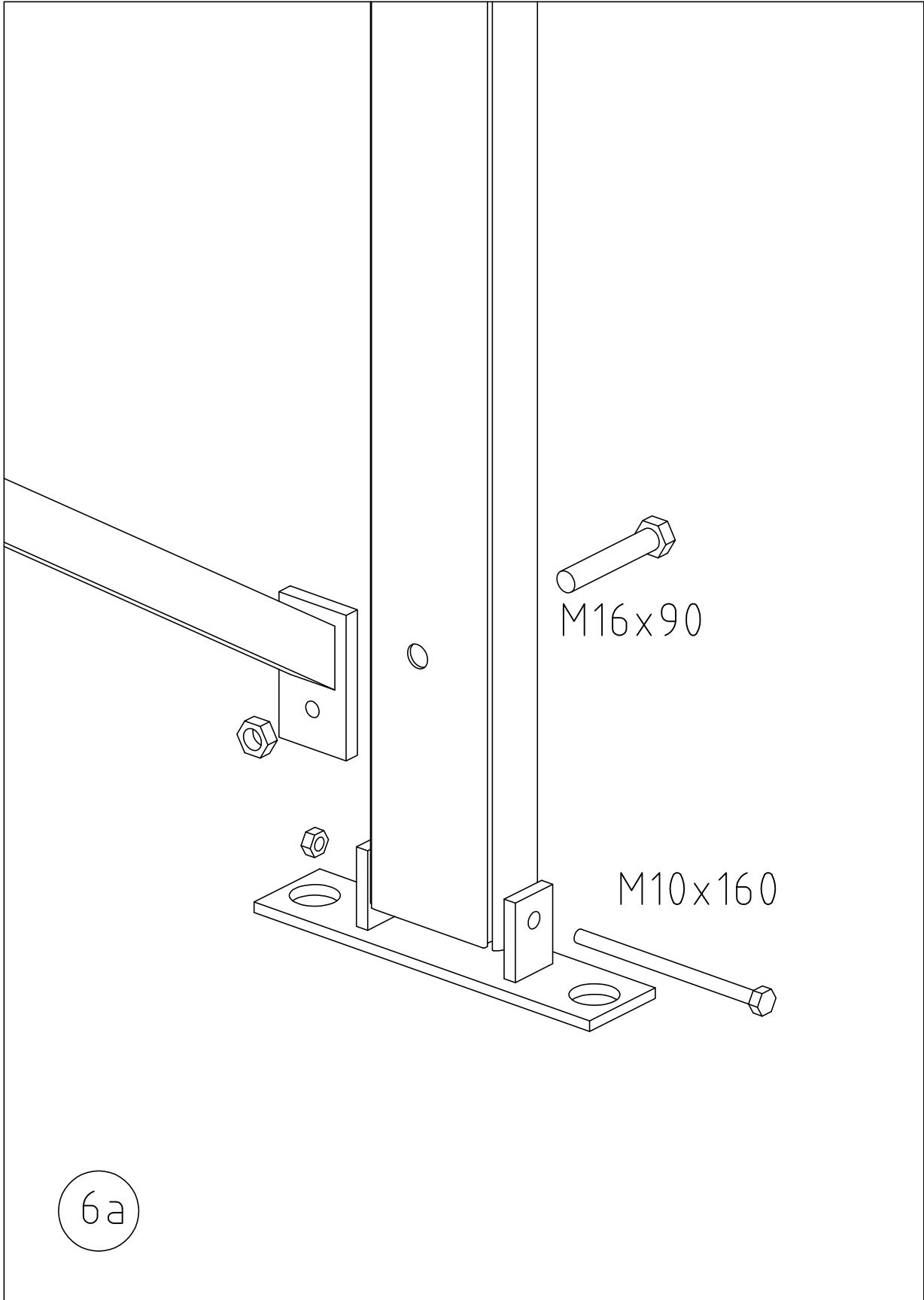
Position of gable pole loop for connection to :



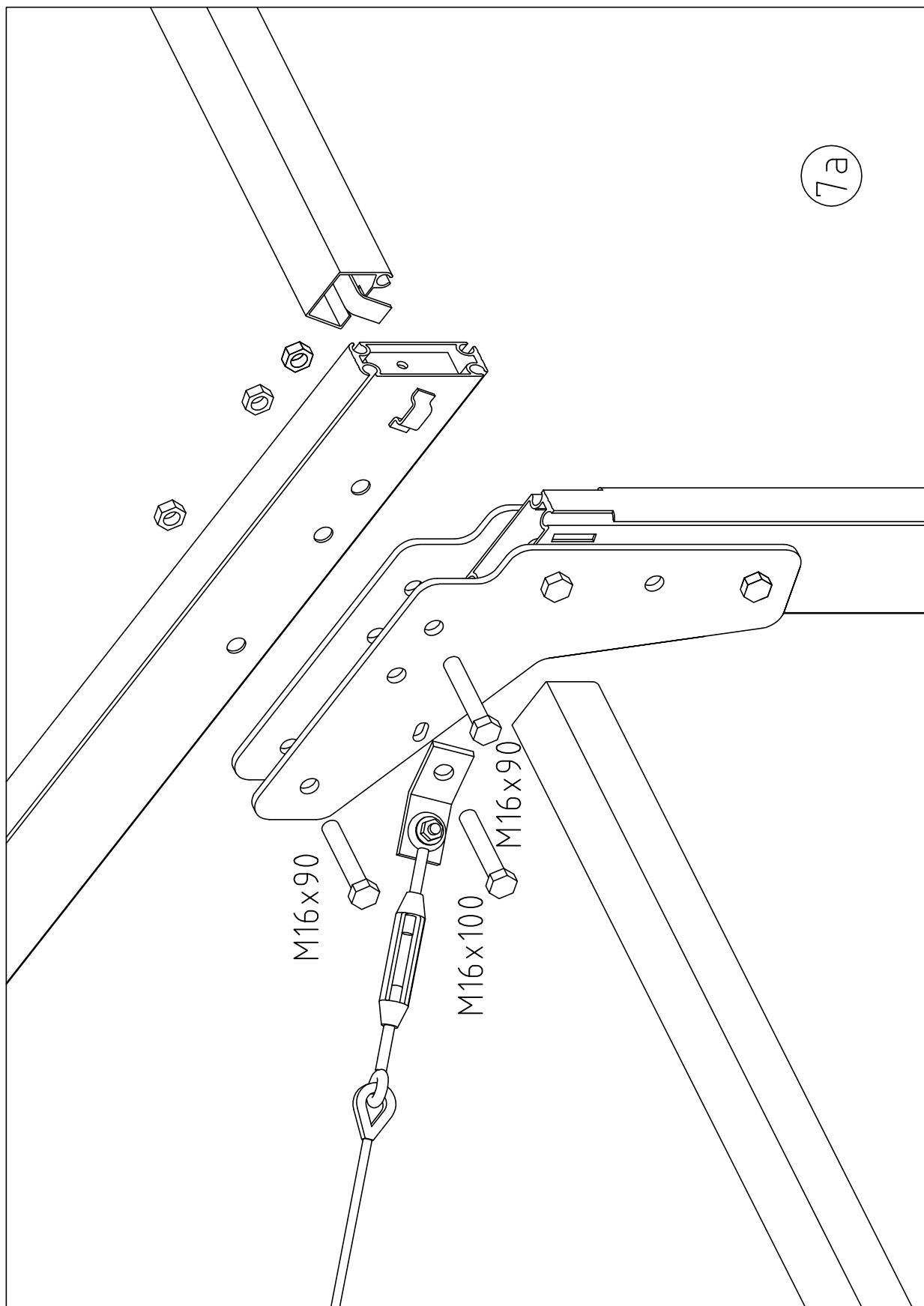
5



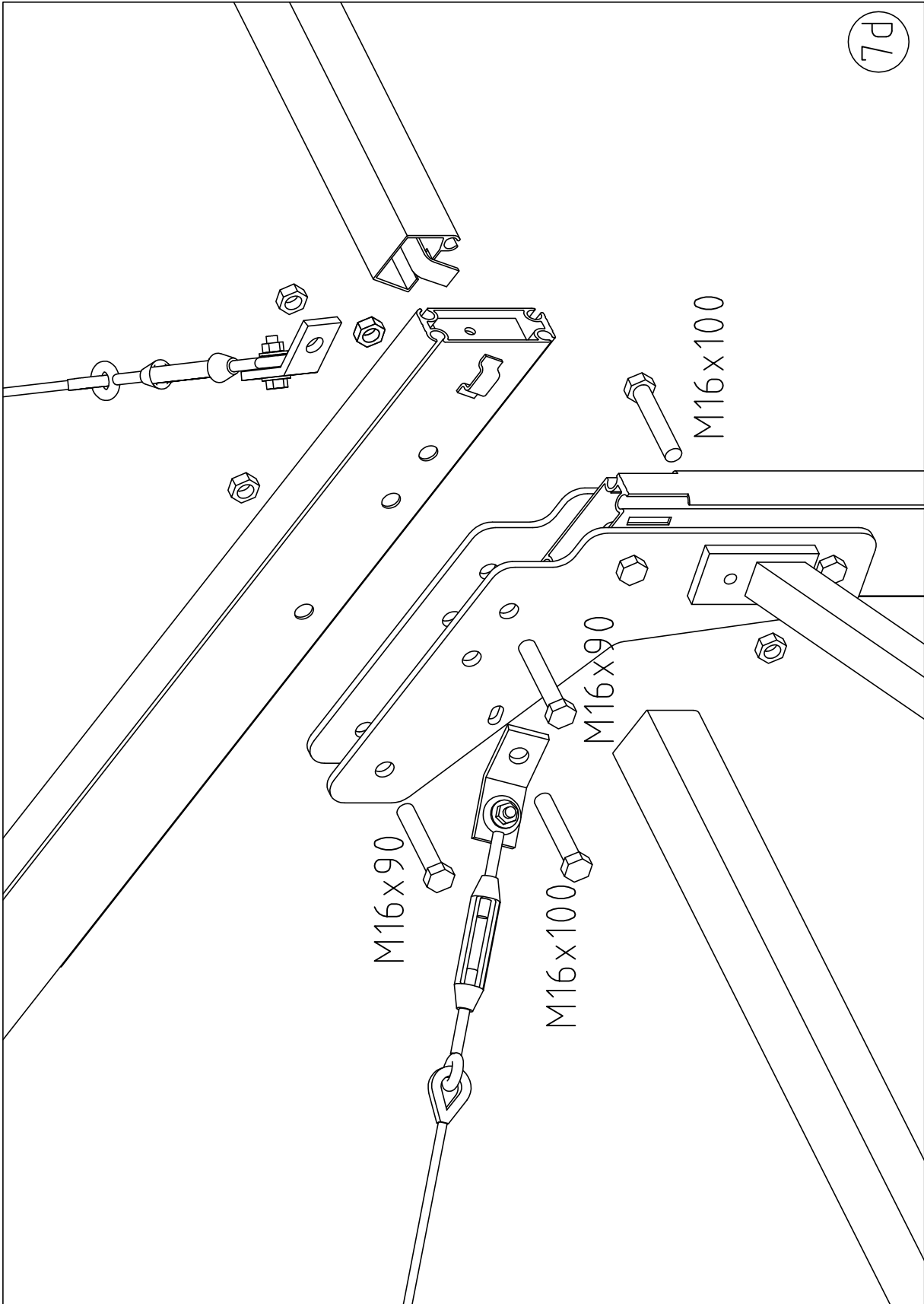


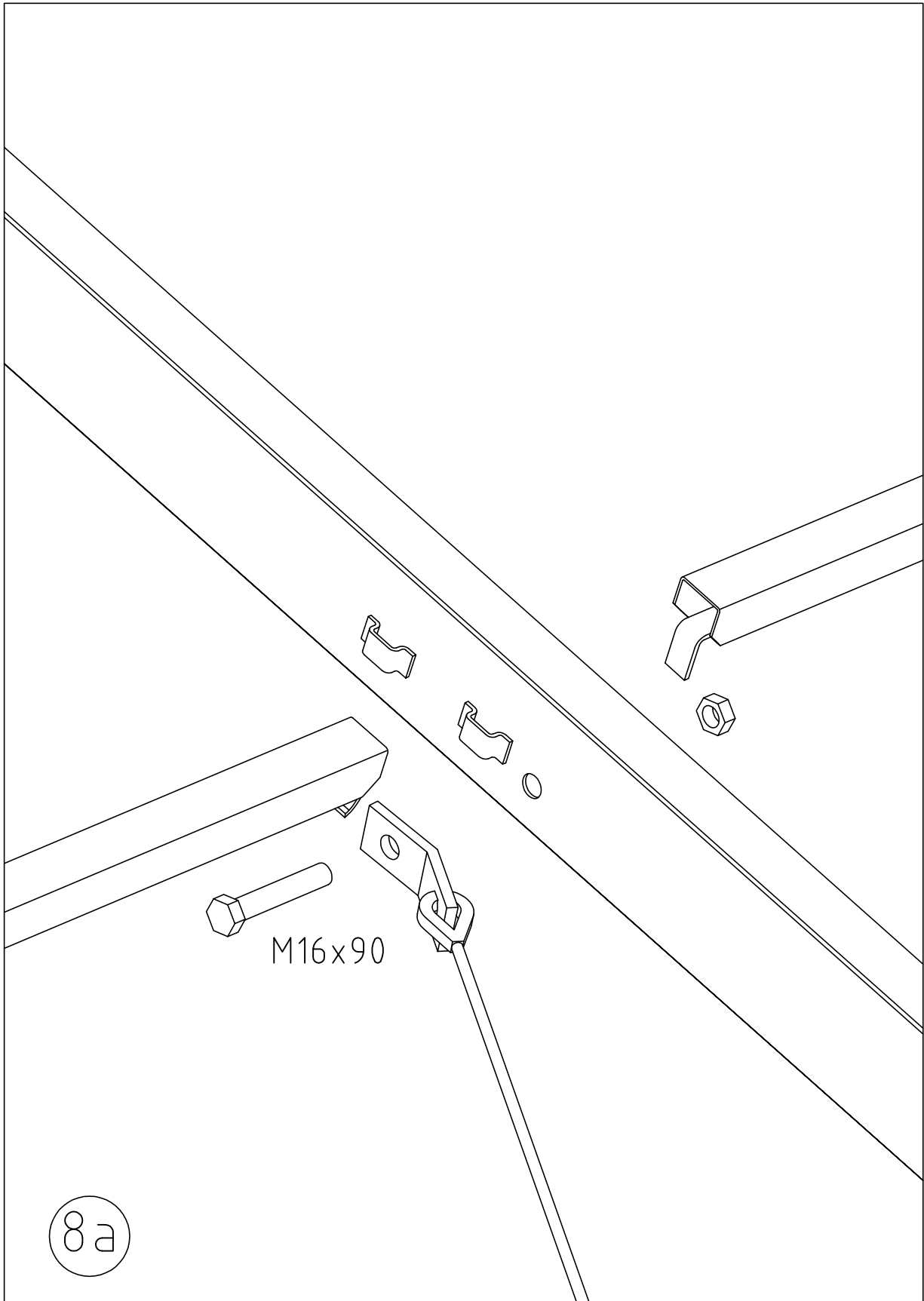


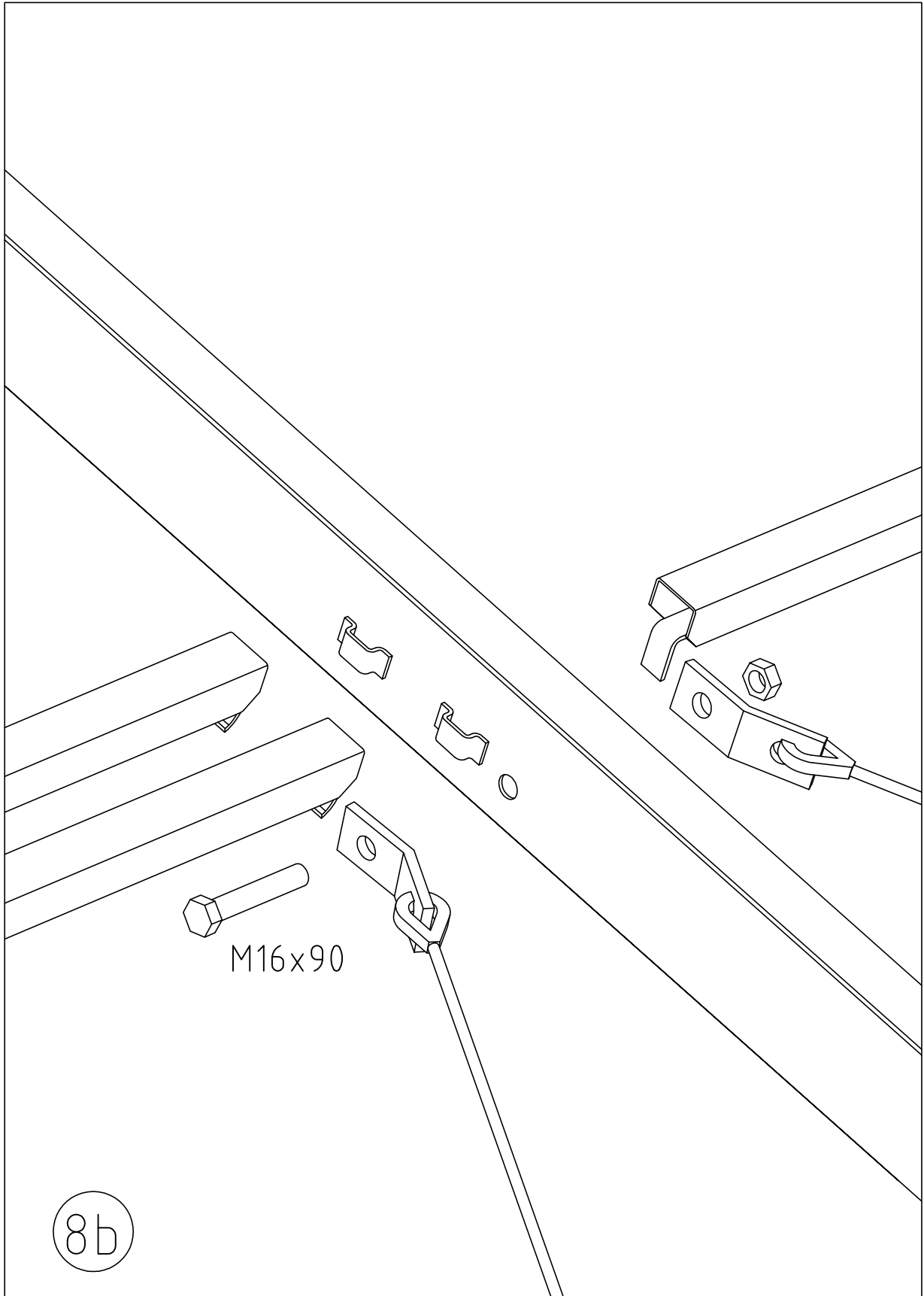
7a

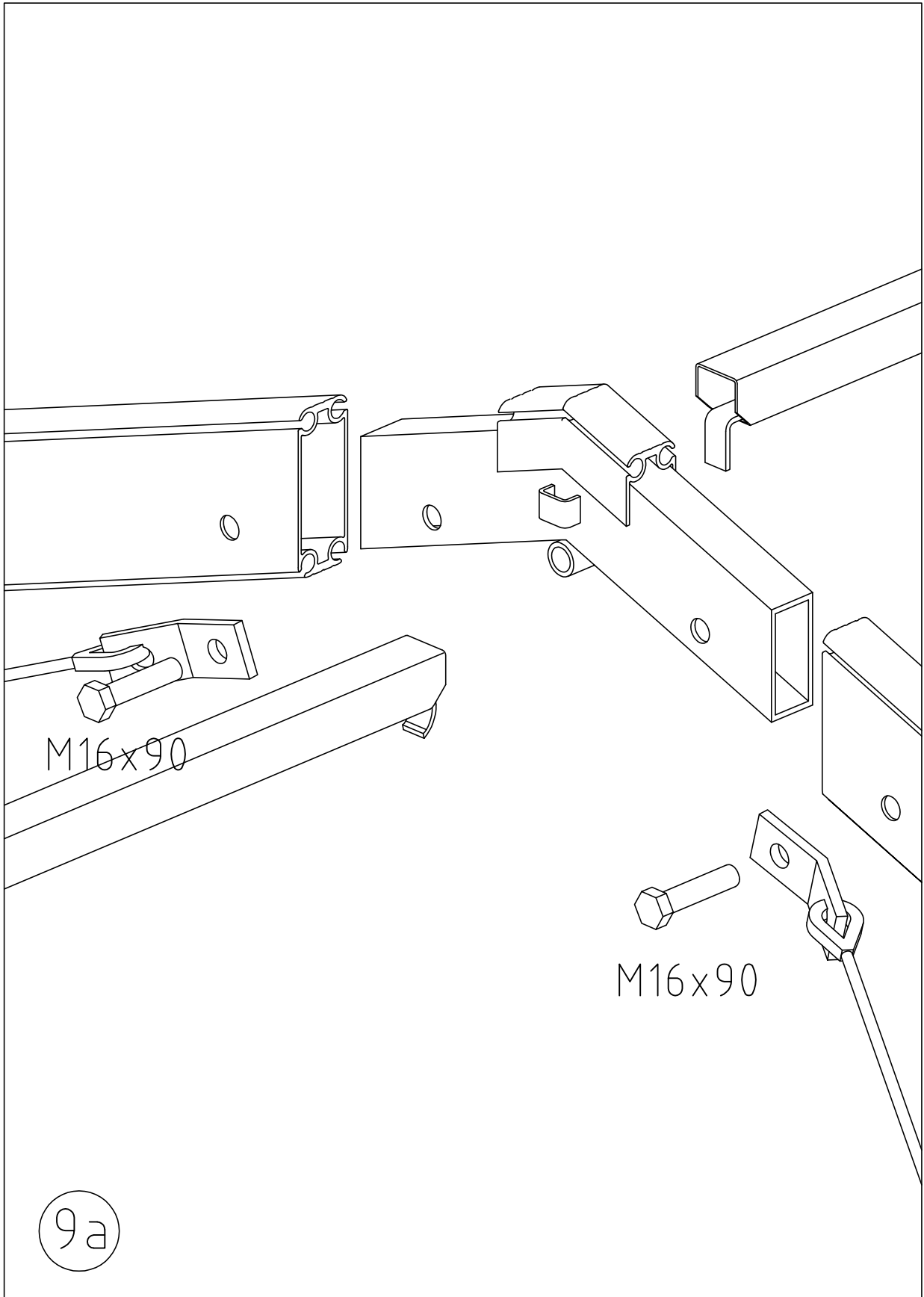


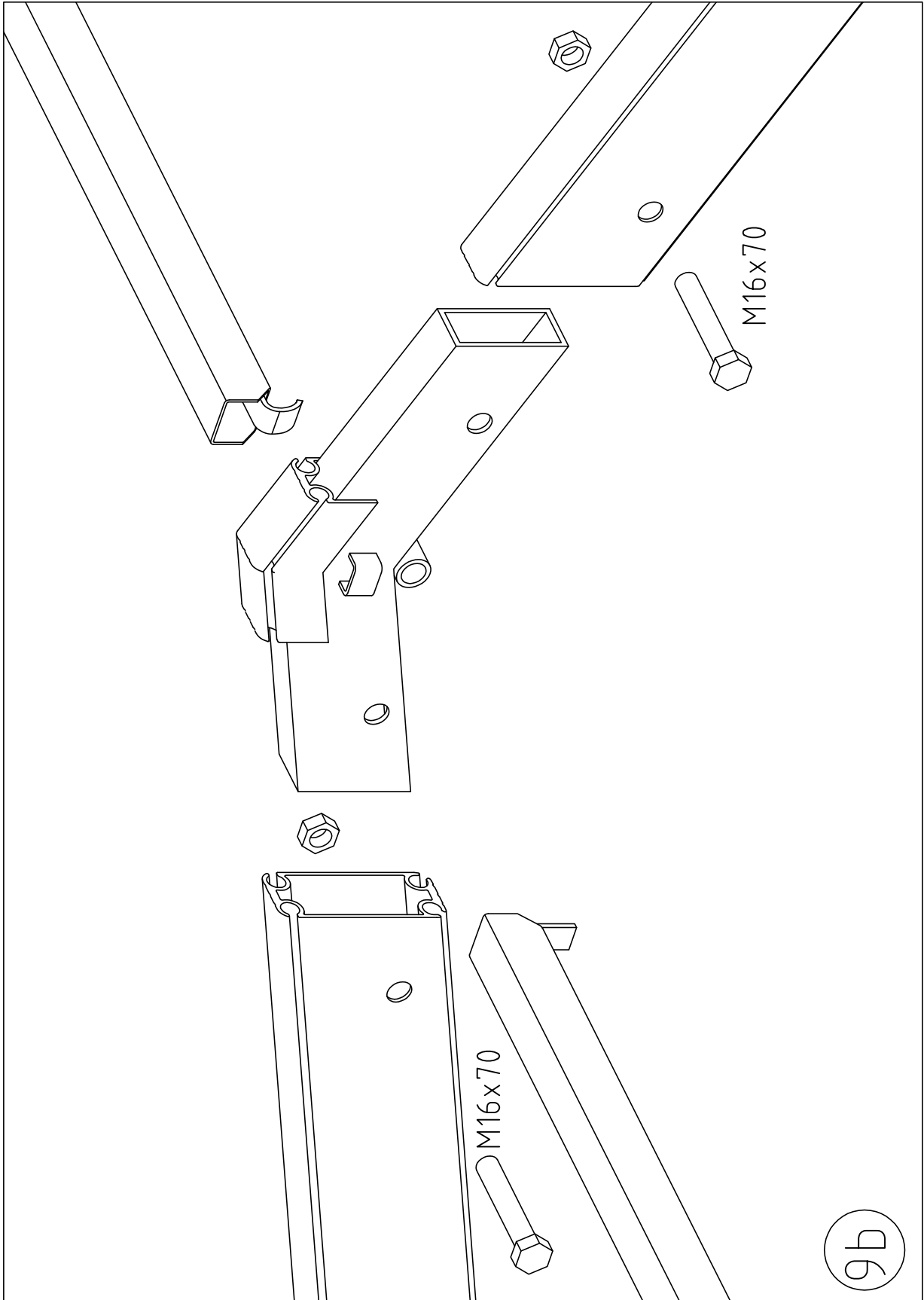
7d



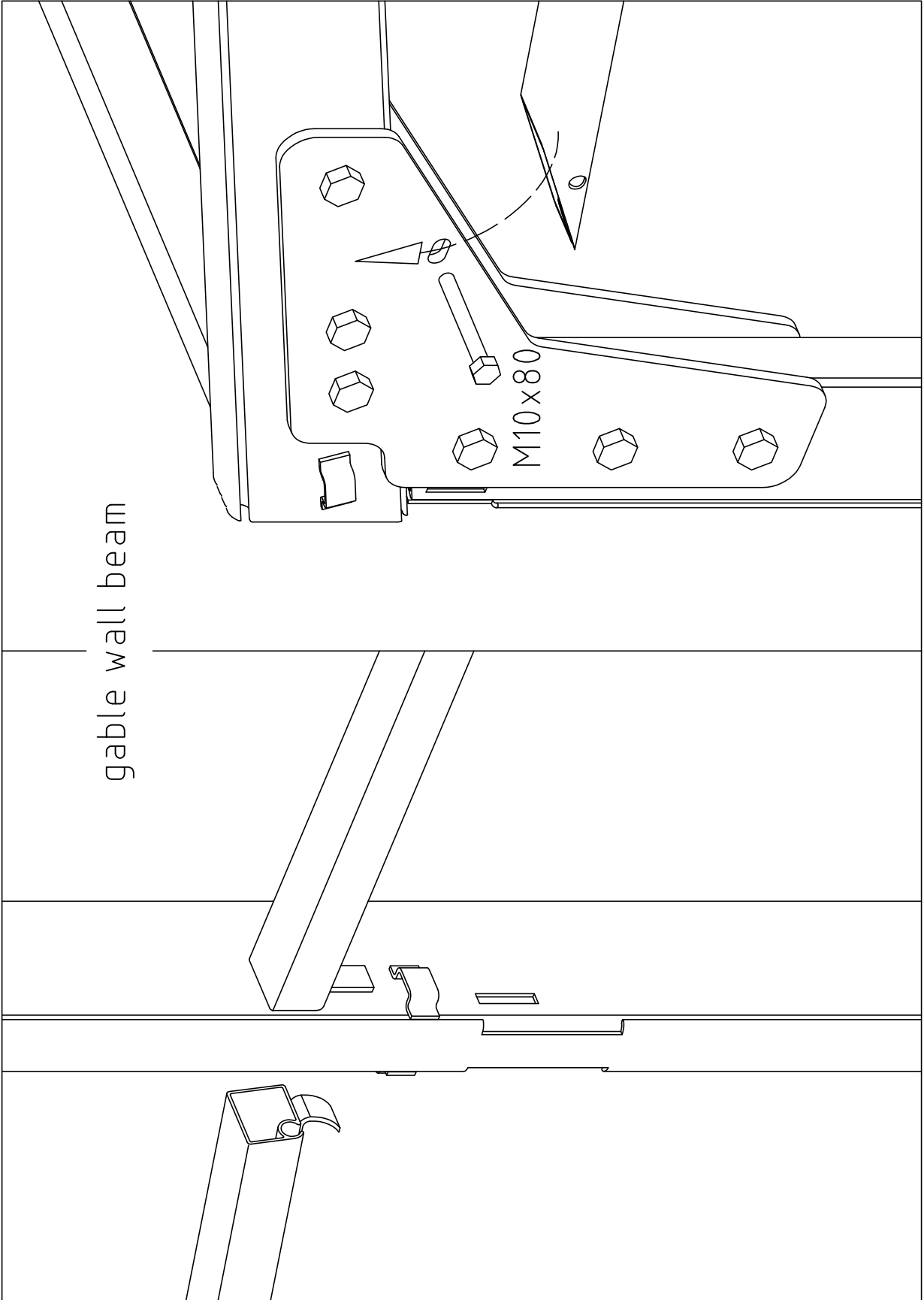


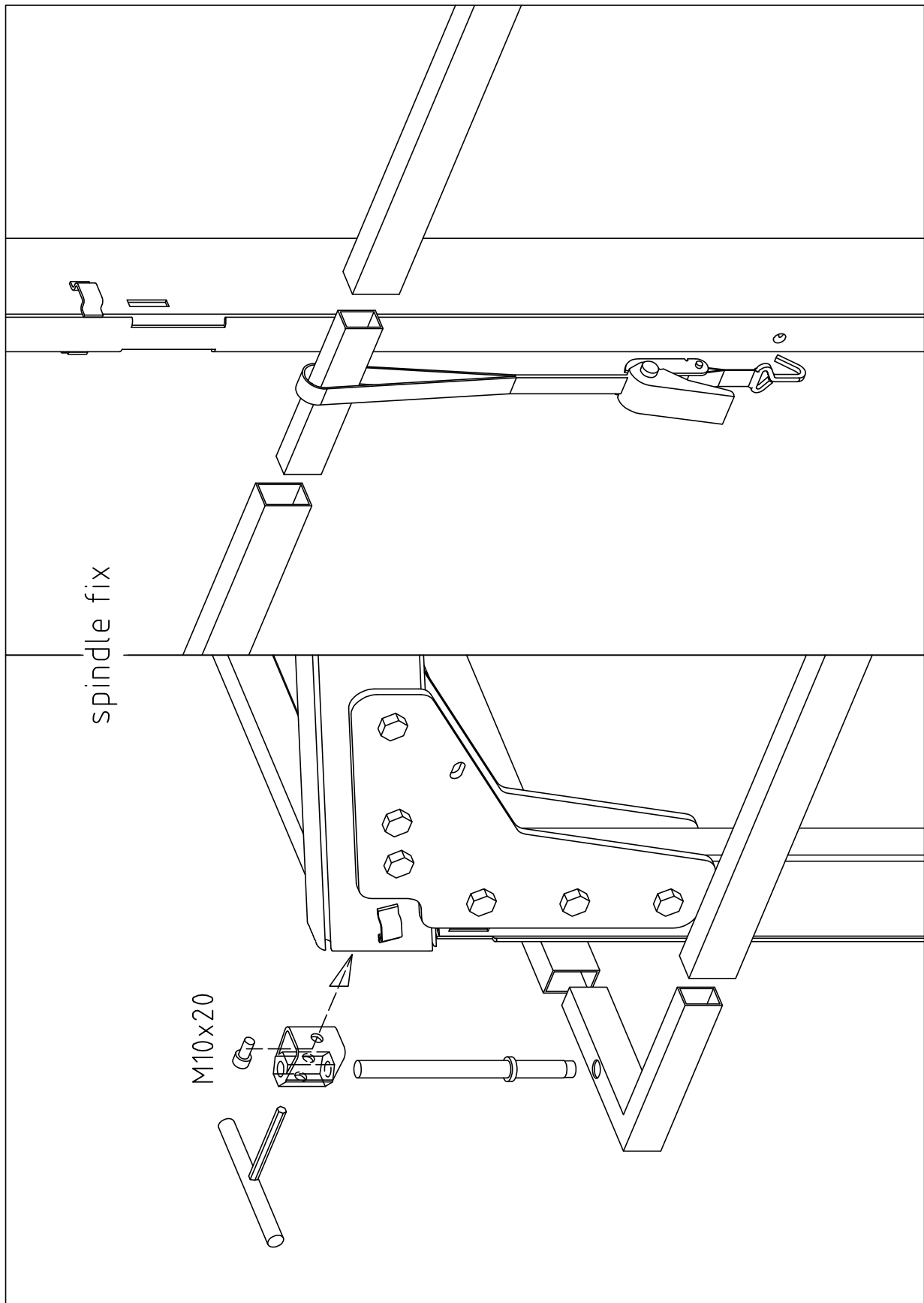






9b





Details
cassette floor and
system wall installation

Type 6 to 15/250 P7



floor sill P7 for curtain and system wall

gable sills recognizable by

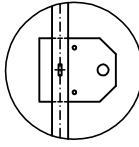
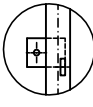
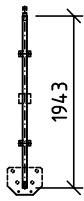


plate with anchor hole



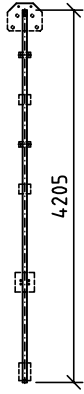
one sided tenon for hooking in of floor cassette

1a floor sill 6+12/...



6

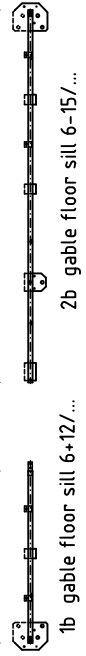
2a floor sill 6-15/...



2a floor sill 6-15/...

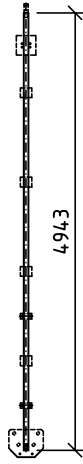
4205

1b gable floor sill 6+12/...



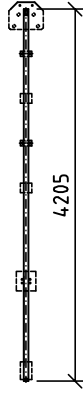
2b gable floor sill 6-15/...

3a floor sill 9+15/...



9

2a floor sill 6-15/...



4205

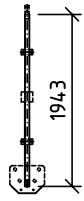
3b gable floor sill 9+15/...



2b gable floor sill 6-15/...

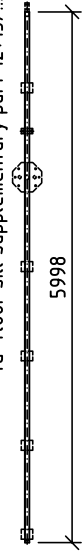
- 1a 73 3290.0-11-501
- 1b 73 3292.0-11-501

1a floor sill 6+12/...

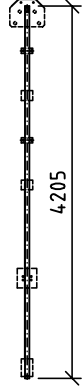


12

4a floor sill supplementary part 12+15/...

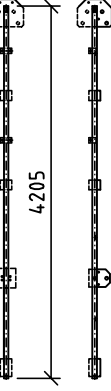


2a floor sill 6-15/...



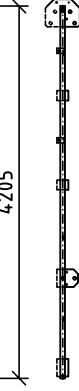
4205

- 2a 73 3289.0-11-501
- 2b 73 3291.0-11-501



4205

3a 73 3293.0-11-501



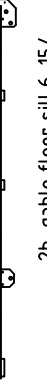
4205

3b 73 3294.0-11-501



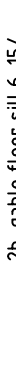
4205

4a 73 3295.0-11-501



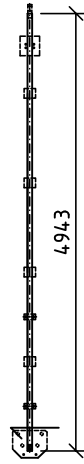
4205

4b 73 3296.0-11-501



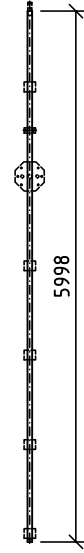
4205

3a floor sill 9+15/...



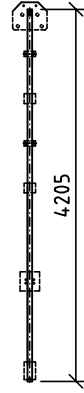
15

4a floor sill supplementary part 12+15/...



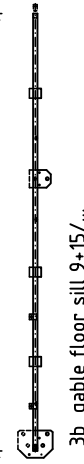
5998

2a floor sill 6-15/...

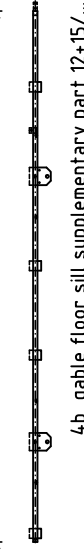


4205

3b gable floor sill 9+15/...

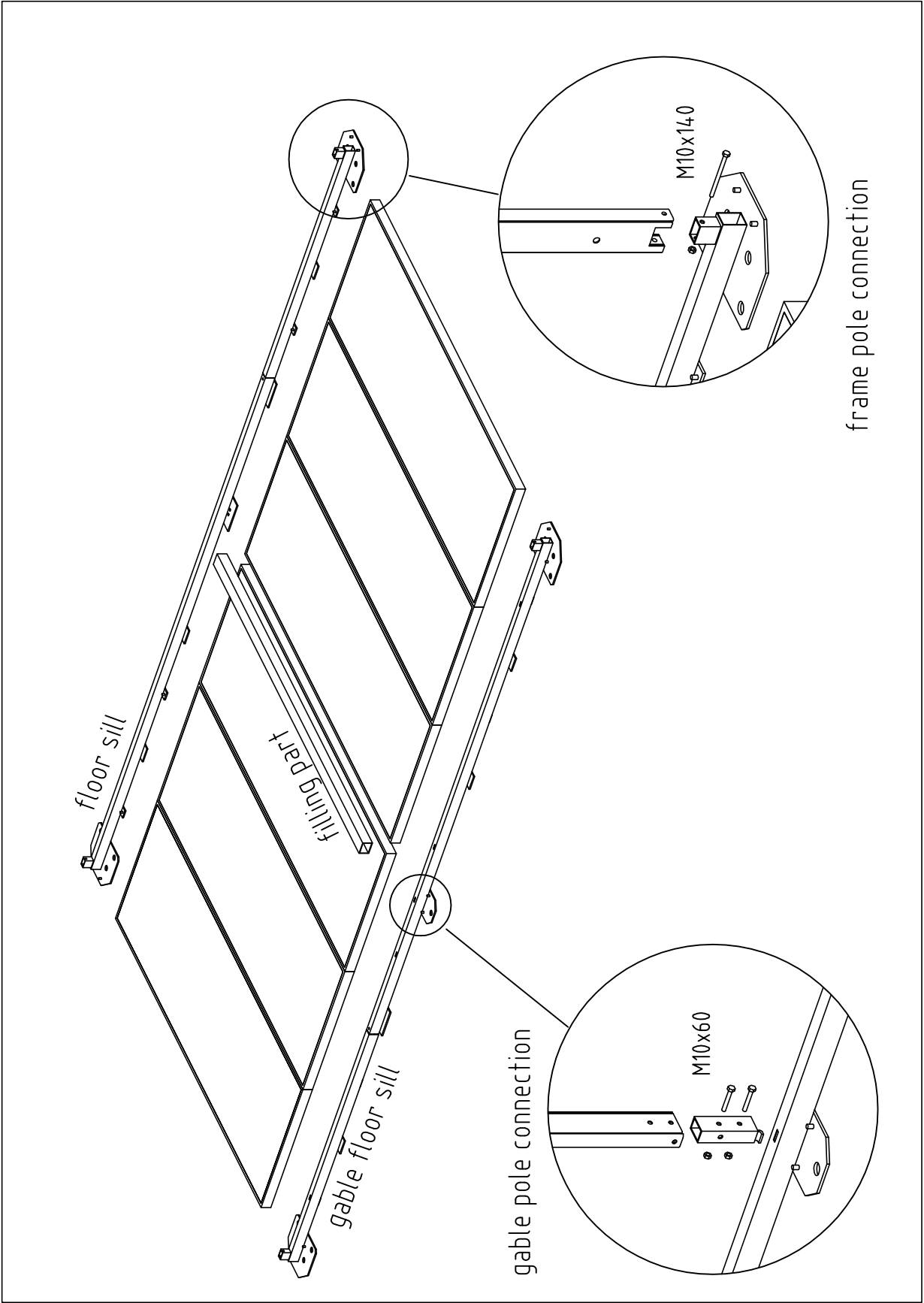


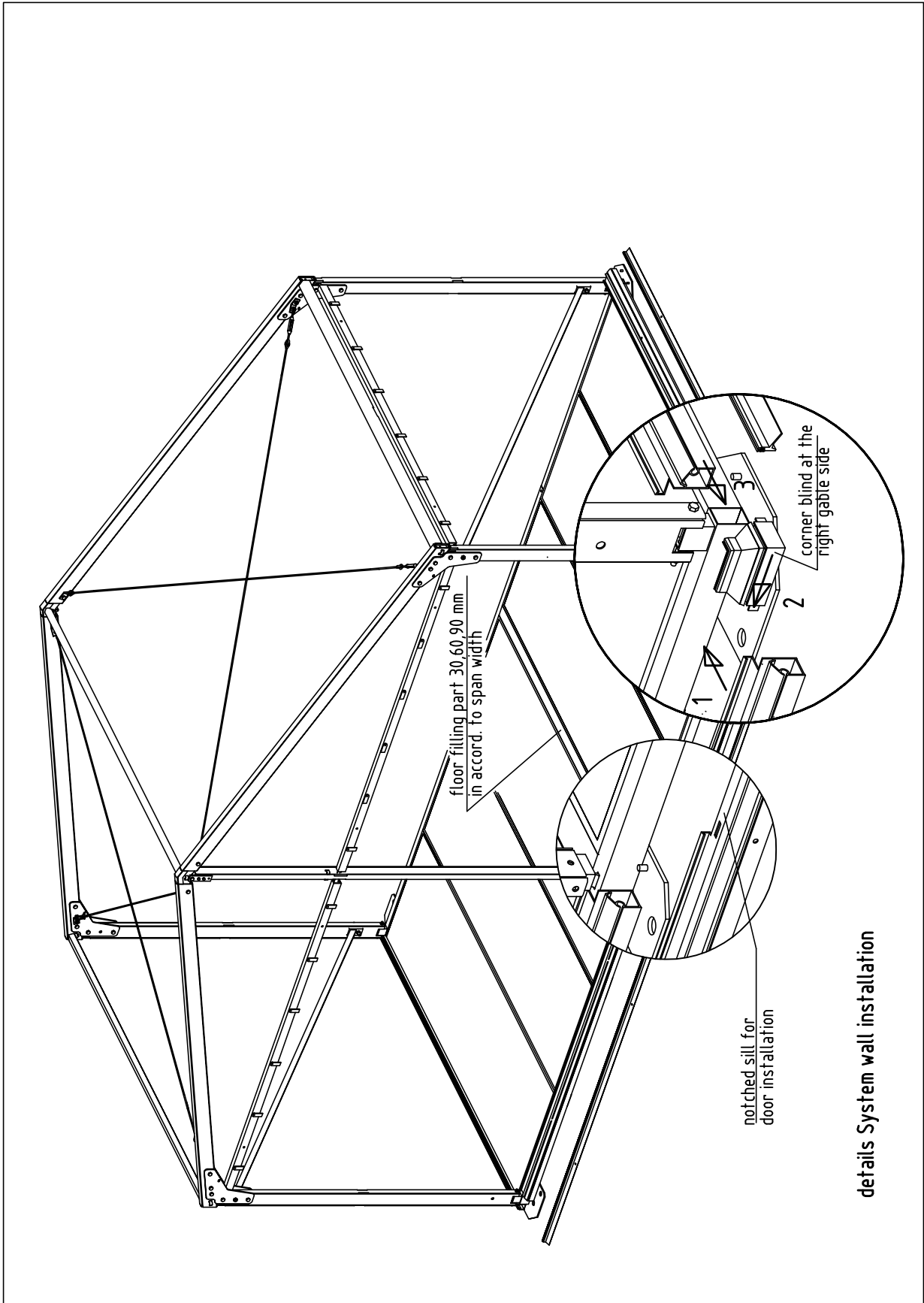
4b gable floor sill supplementary part 12+15/...



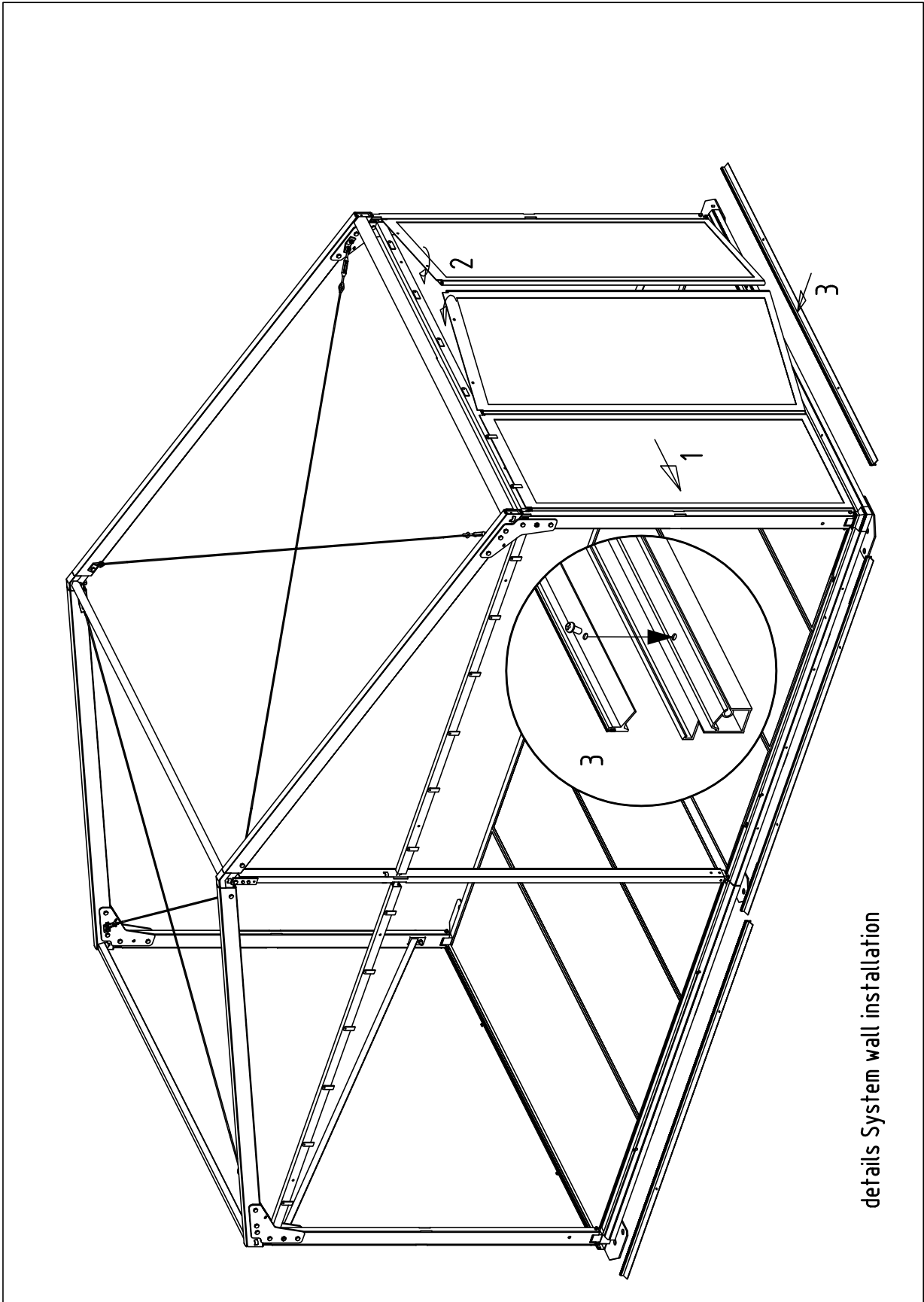
2b gable floor sill 6-15/...

Dimensions refer to mere lengths of steel tube



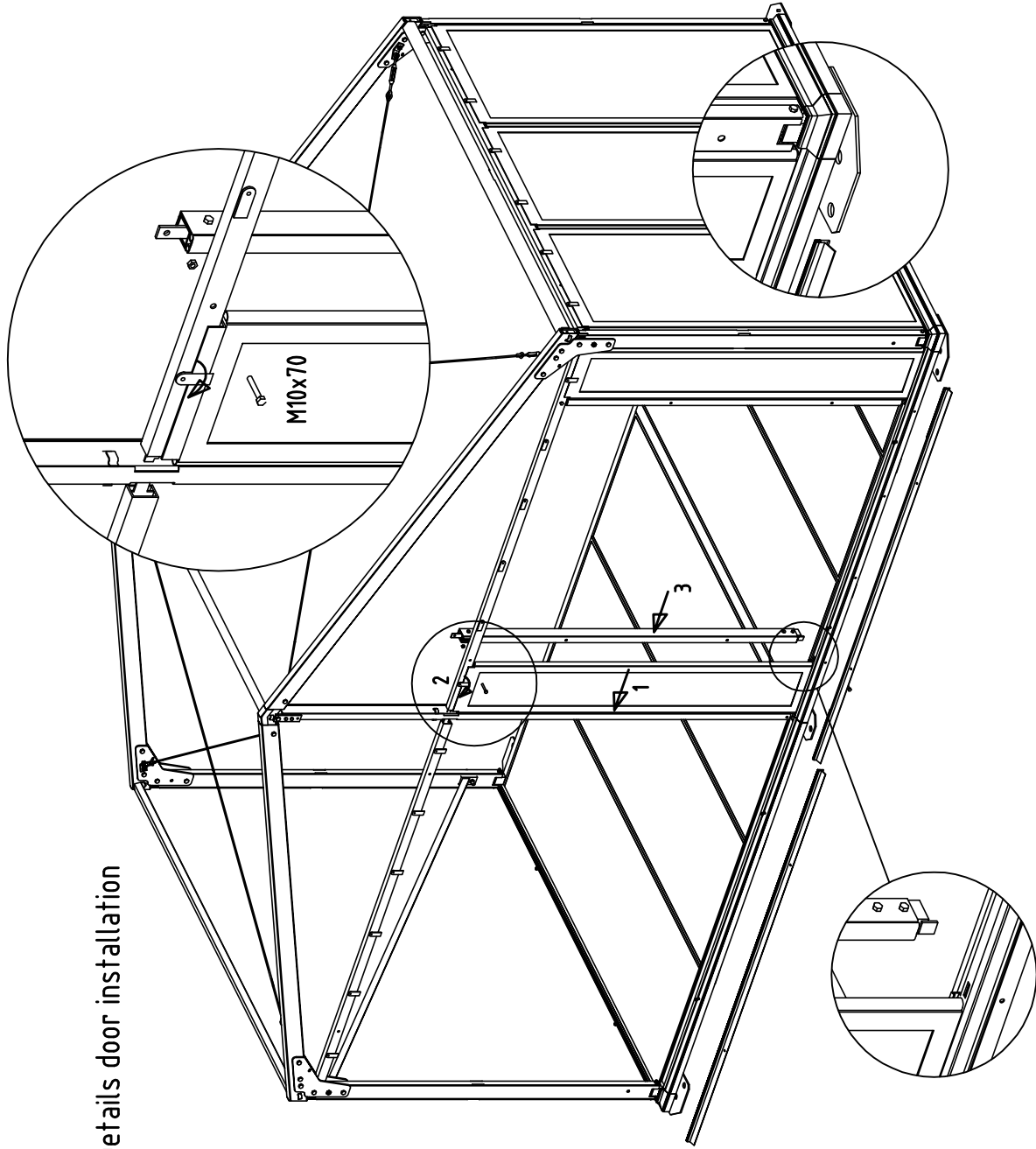


details System wall installation

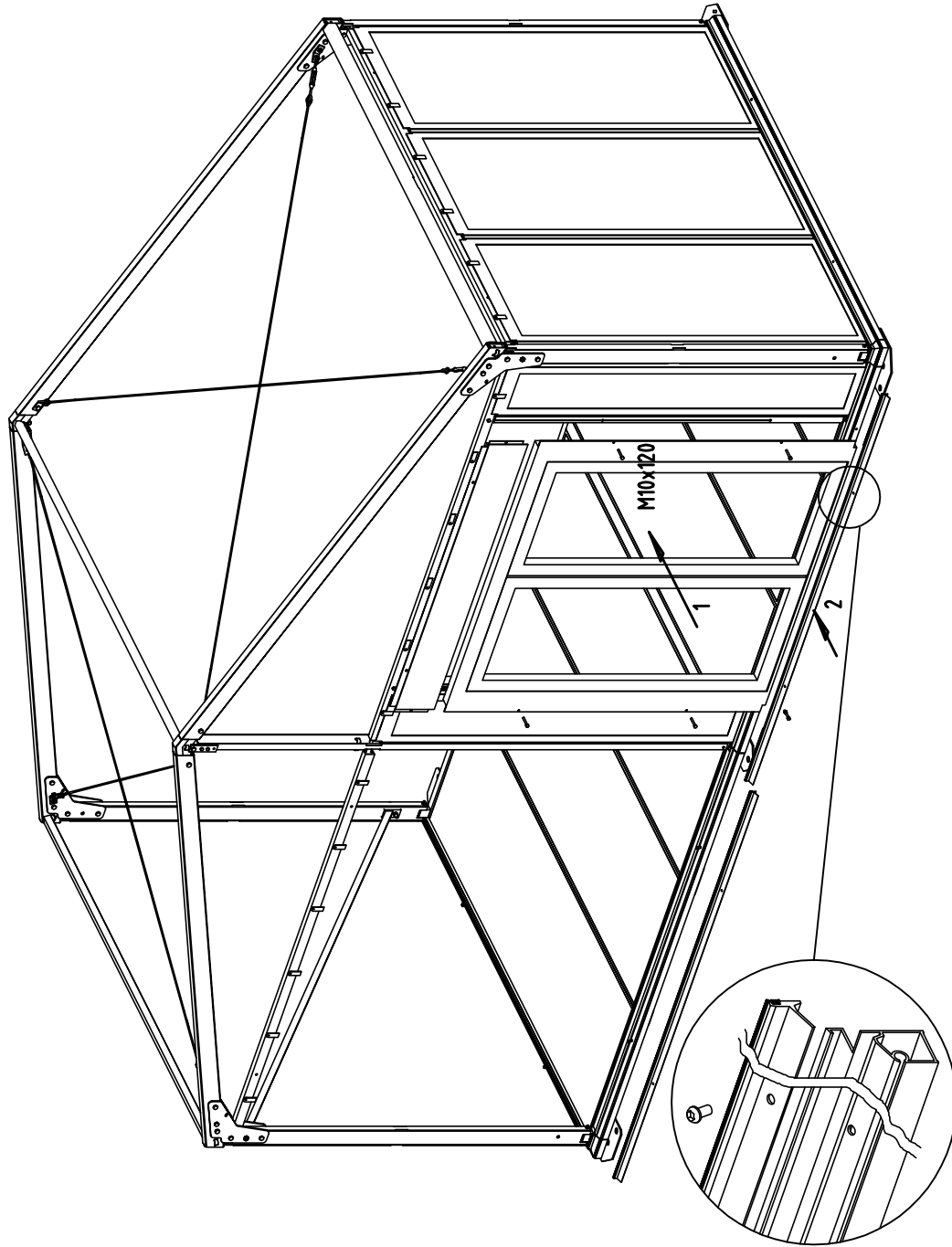


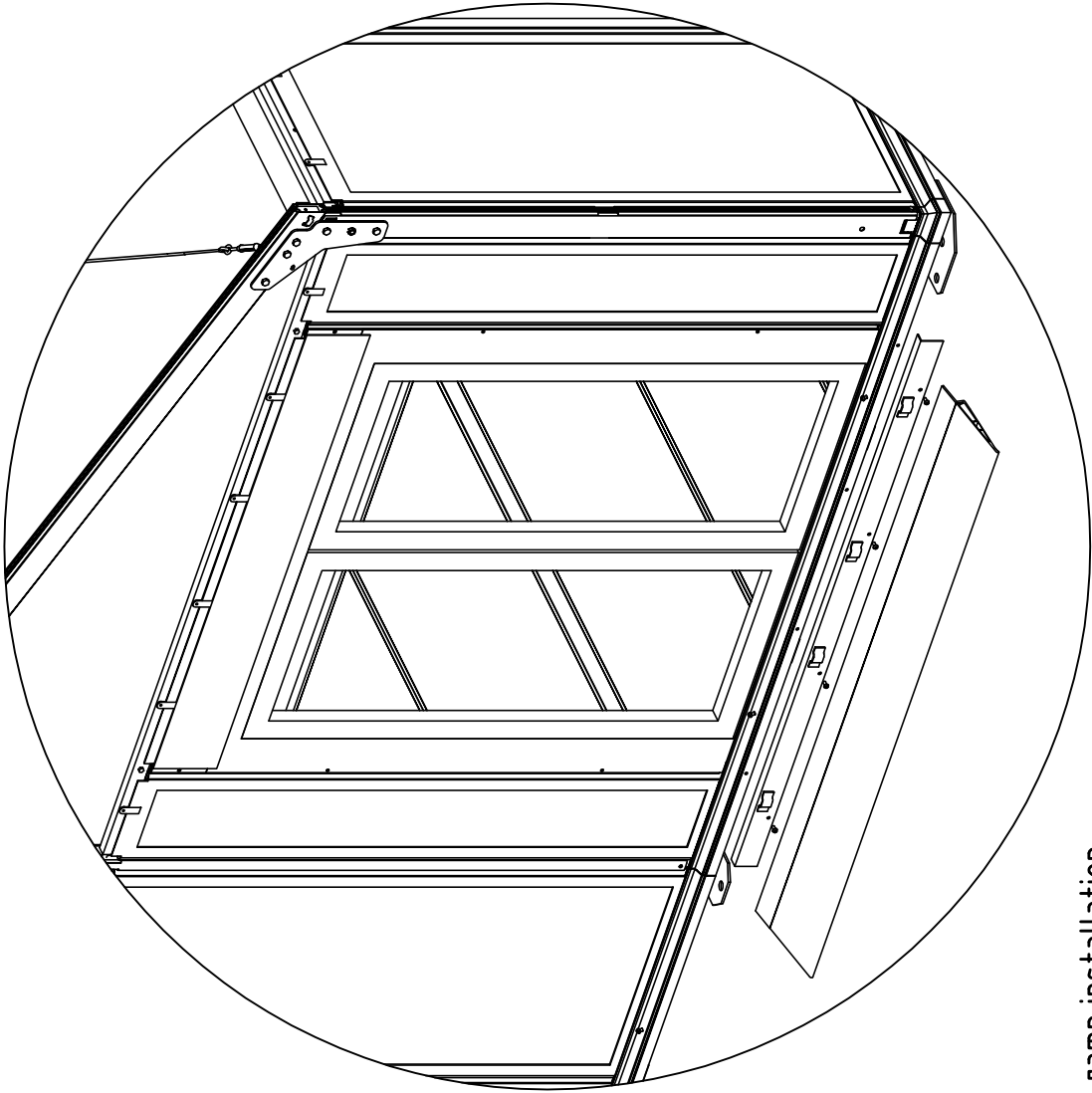
details System wall installation

Details door installation



Details door installation





Details ramp installation