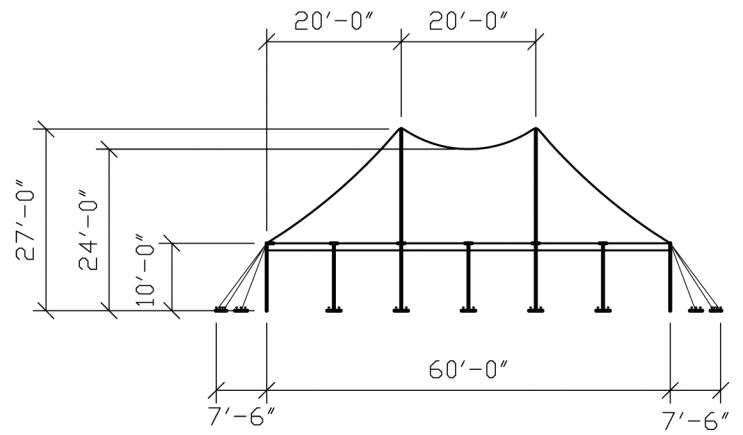
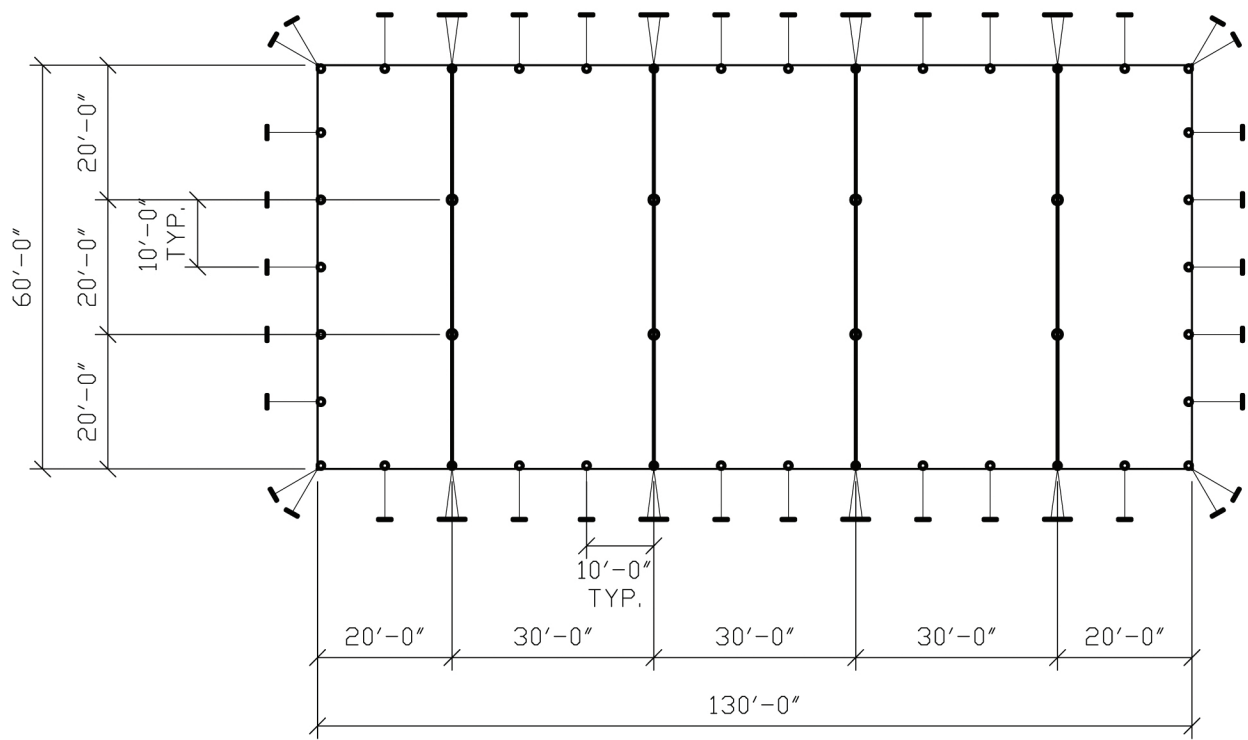


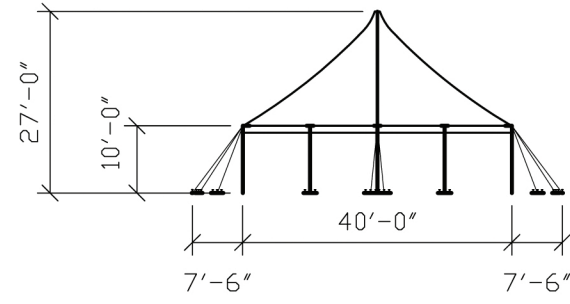
PLAN



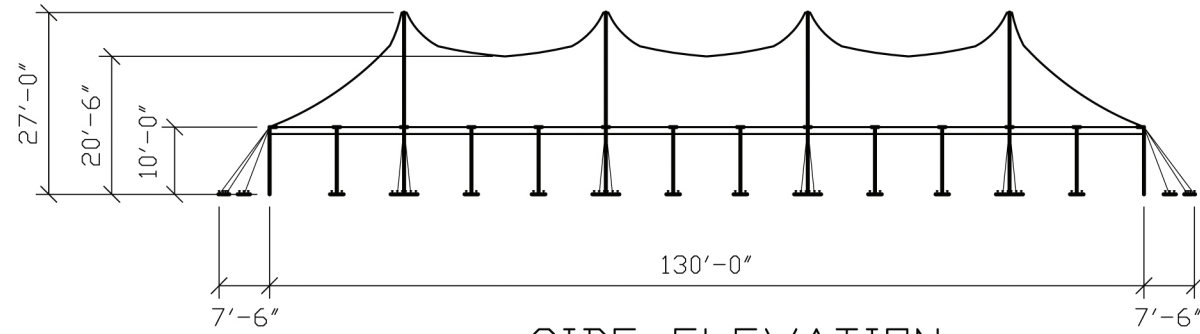
END ELEVATION



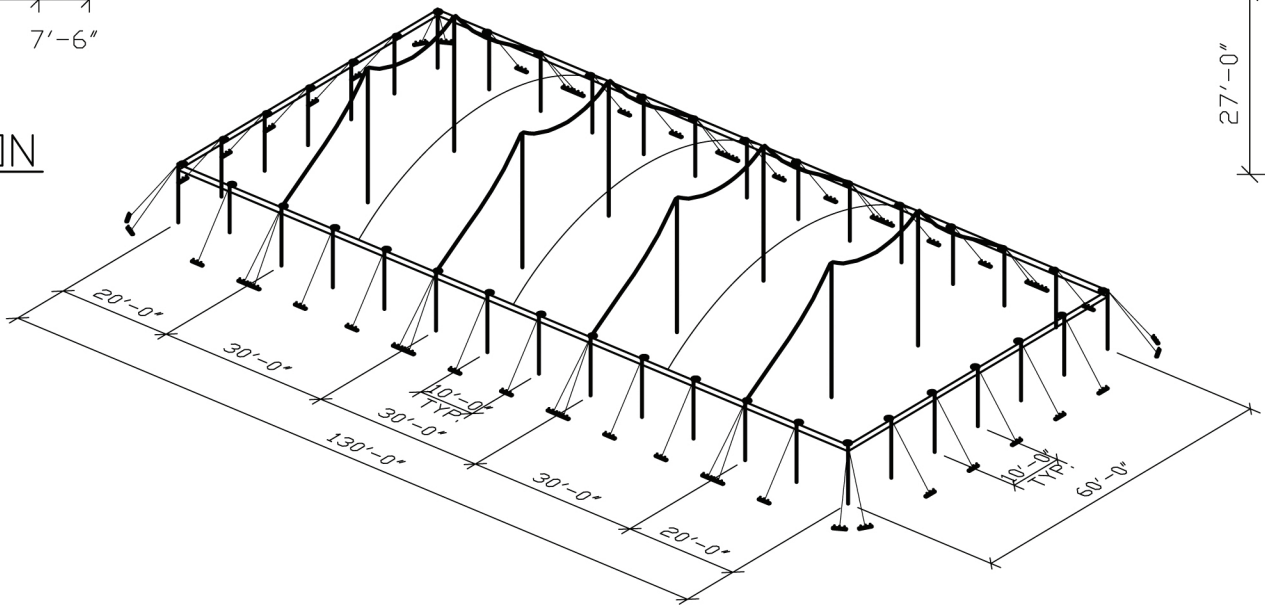
PLAN



SIDE ELEVATION



SIDE ELEVATION



ISOMETRIC

- NOTES:**
1. GUY WEBS THROUGHOUT.
 2. 10'-0" SIDE POLE SPACING.
 3. 10'-0" EAVE HEIGHT SHOWN.
 4. REF. B2-60M REF. 7-31-06.

NON-STANDARD STAKING.

REVISIONS		
EC/PR NO	DATE	BY
1	05-10-11	DMK

ANCHOR INDUSTRIES INC.		
BROCHURE DRAWING 60' CENTURY TENT WITH 30' MIDS		
DRAWN BY: DMK	CHECKED BY:	DRAWING NO.
APPROVED BY:	EC/PR NO.	DATE: 08-18-06
		06-253-3-5