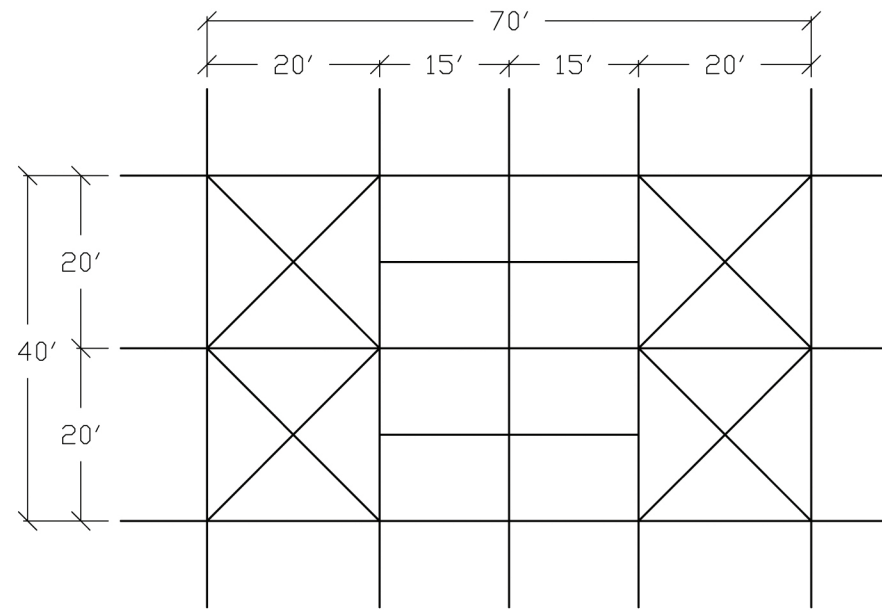


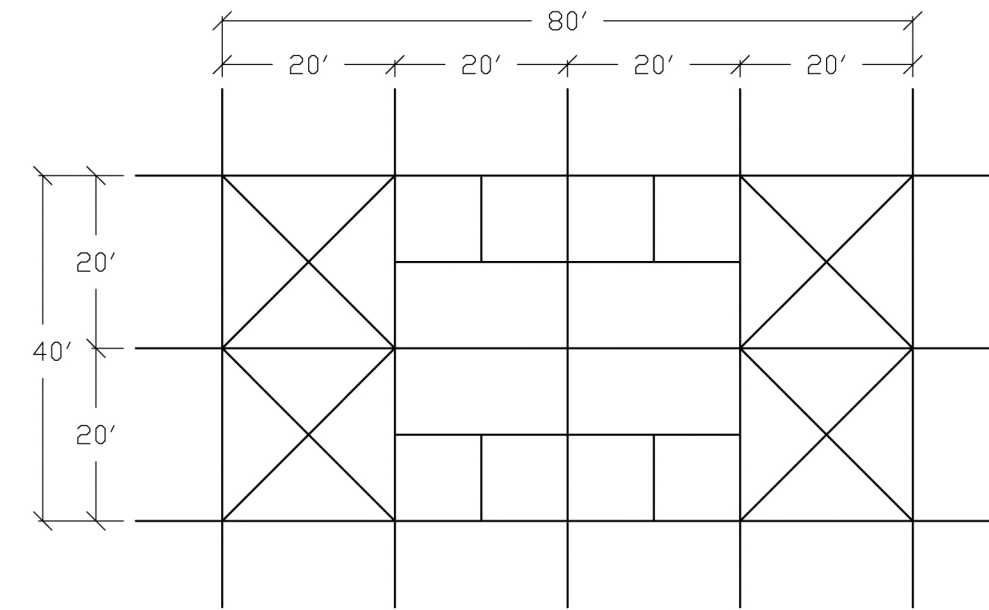
PLAN

HIP ENDS WITH 10' MID BAYS



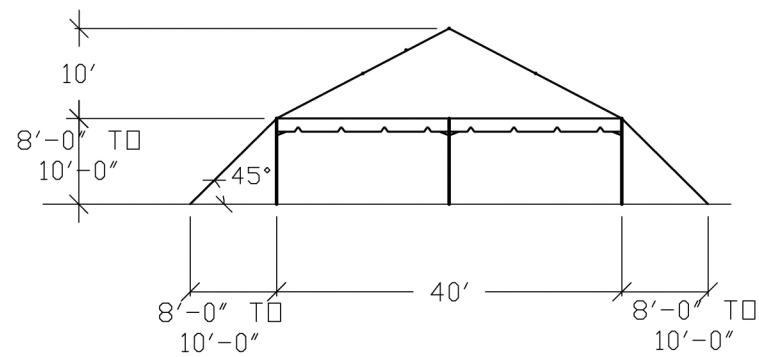
PLAN

HIP ENDS WITH 15' MID BAYS

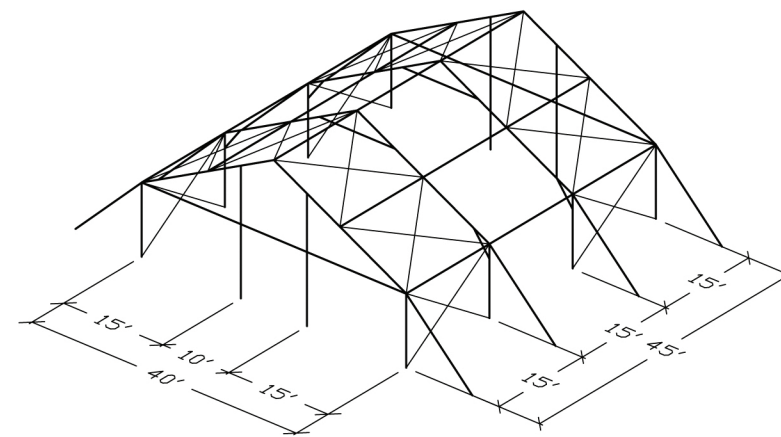


PLAN

HIP ENDS WITH 20' MID BAYS

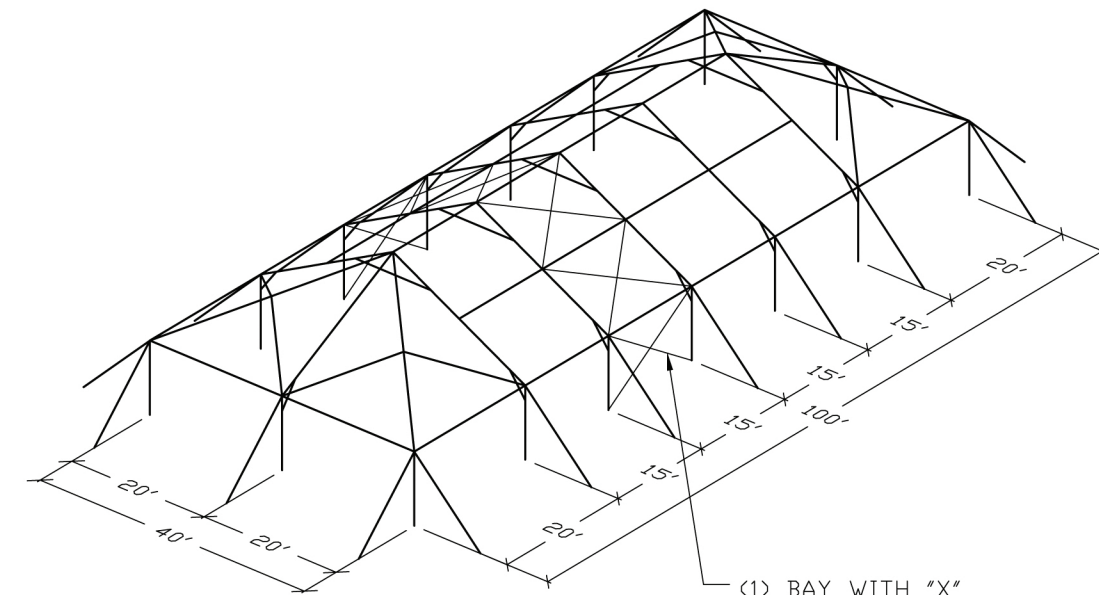


END ELEVATION



3-D VIEW

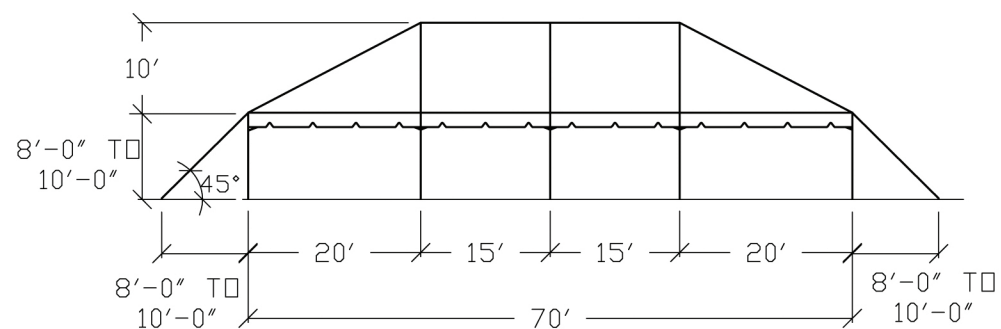
GABLE ENDS WITH (3) 15' MID BAYS



3-D VIEW

HIP ENDS WITH (4) 15' MID BAYS

(1) BAY WITH "X" CABLES REQUIRED FOR STRUCTURE EVERY 100' OF LENGTH.



SIDE ELEVATION

(WITH 15'-0" MID BAYS SHOWN)

REVISIONS

EC/PR NO	DATE	BY
1	02-06-07	DMK

ANCHOR INDUSTRIES INC.

**BROCHURE DRAWING
40' WIDE NAVI-TRAC FRAME TENT**

DRAWN BY: DMK	CHECKED BY:	DRAWING NO.
APPROVED BY:	EC/PR NO.	DATE: 08-22-06
		06-253-4-2

J:\Brochure Drawings\Navi-Trac\06-253-4-2.dwg, 2/6/2007 9:41:05 AM, dkraus, A4bba-PDF