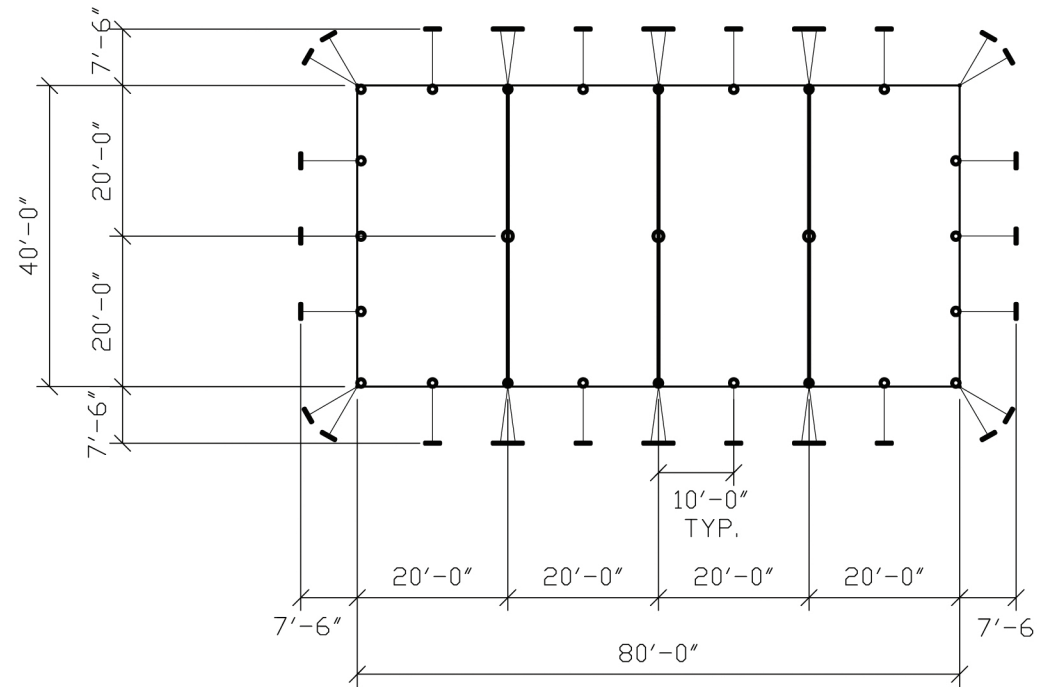
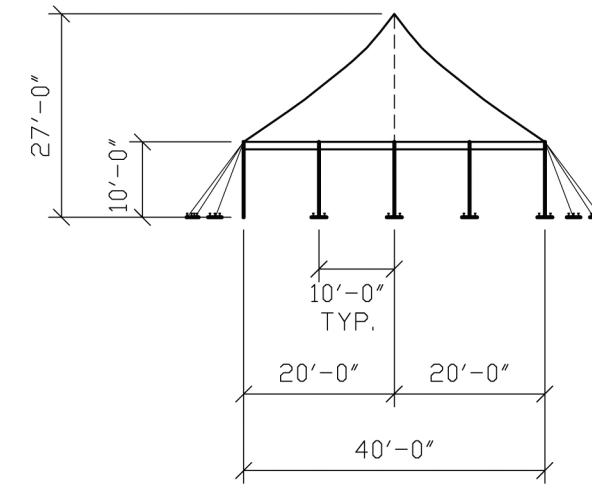


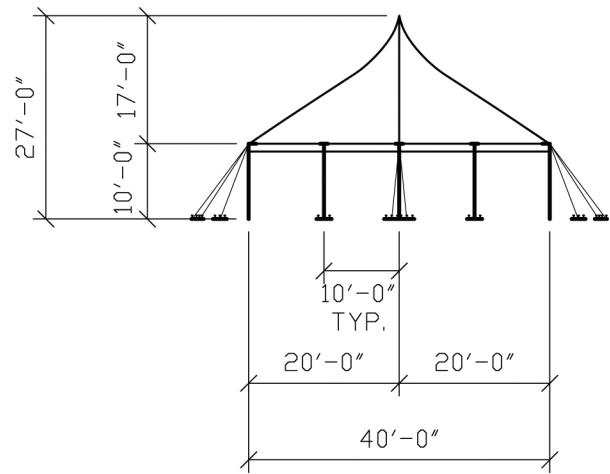
PLAN
(2) ENDS



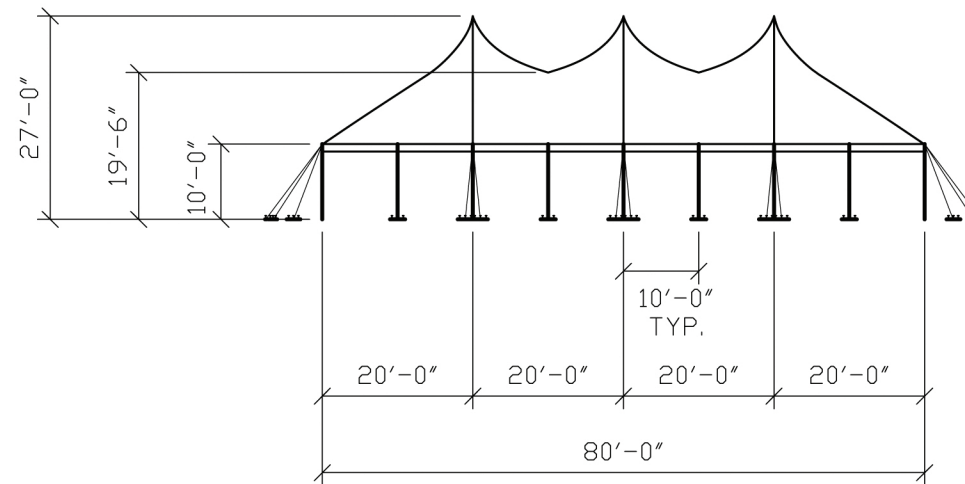
PLAN
(2) ENDS & (2) MIDS



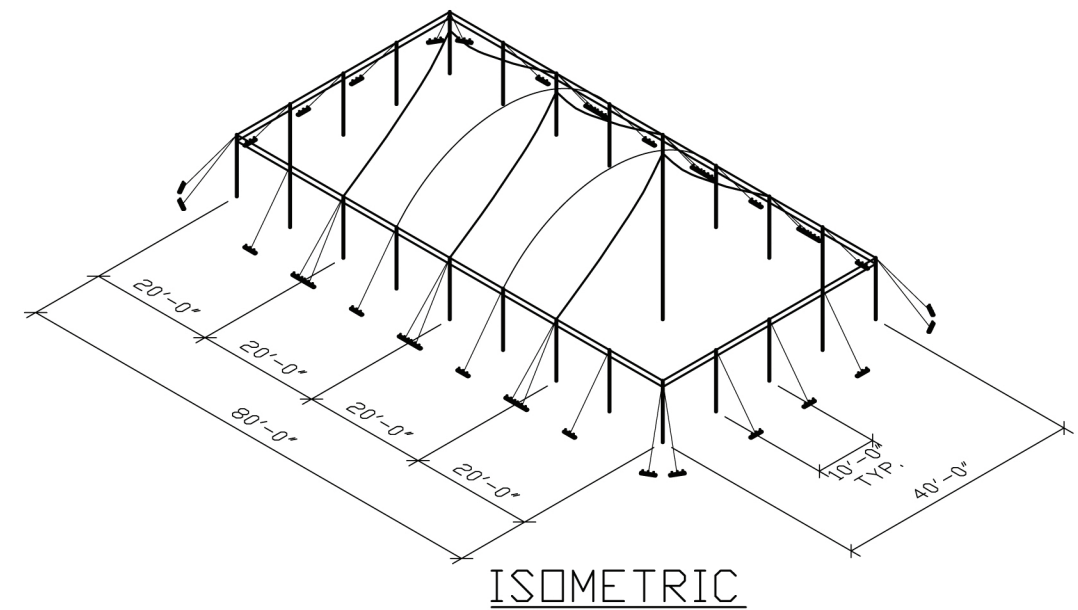
END ELEVATION



SIDE ELEVATION
(2) ENDS



SIDE ELEVATION
(2) ENDS & (2) MIDS



ISOMETRIC

NON-STANDARD STAKING.

NOTES:

1. GUY WEBS THROUGHOUT.
2. 10'-0" SIDE POLE SPACING.
3. 10'-0" EAVE HEIGHT SHOWN.
4. REF. B1-40M REV. 7-31-06.

REVISIONS

EC/PR NO	DATE	BY
1	05-09-2011	DMK

ANCHOR INDUSTRIES INC.

BROCHURE DRAWING
40' SINGLE POLE CENTURY TENT WITH 20' MIDS

DRAWN BY: DMK	CHECKED BY:	DRAWING NO.
APPROVED BY:	EC/PR NO.	DATE: 08-21-06

06-253-3-1