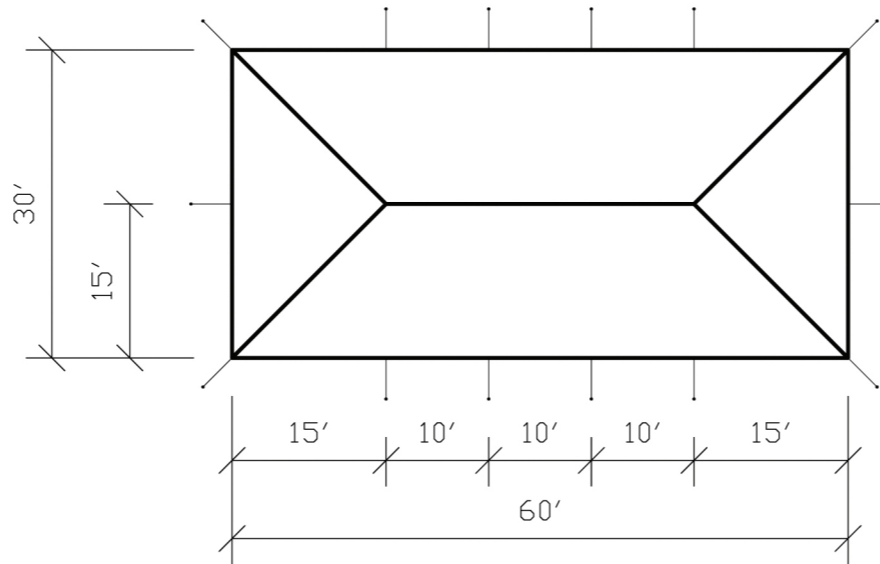
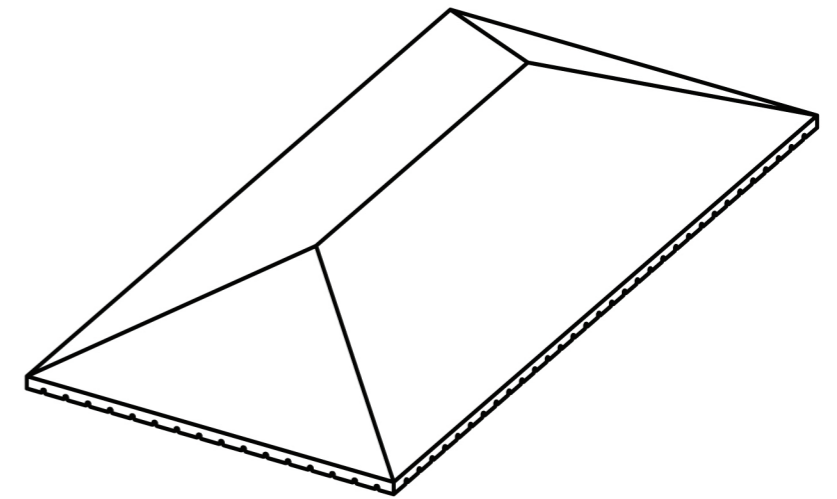


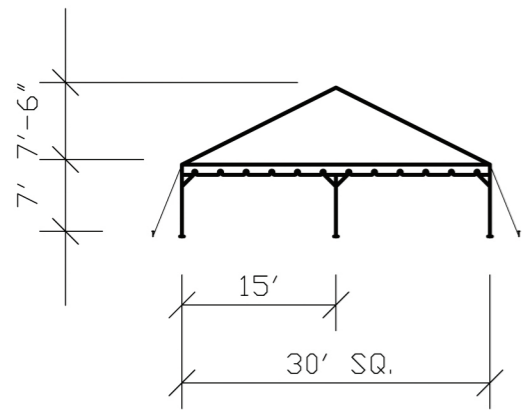
PLAN



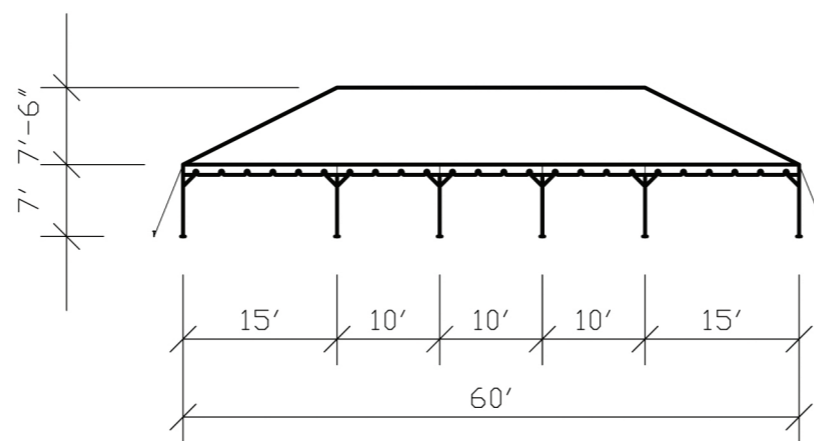
PLAN



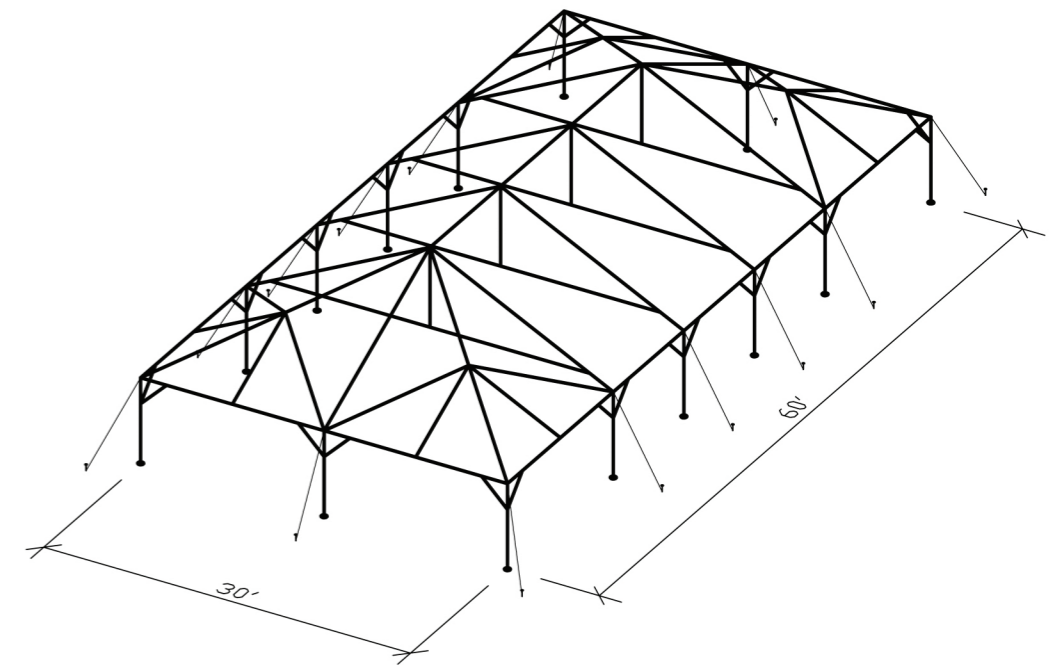
TOP



SIDE ELEVATION



SIDE ELEVATION



ISOMETRIC

REVISIONS			ANCHOR INDUSTRIES INC.		
EC/PR NO	DATE	BY	BROCHURE DRAWING		
			30' WIDE FIESTA FRAME TENT		
			DRAWN BY: DMK	CHECKED BY:	DRAWING NO.
			APPROVED BY:	EC/PR NO.	DATE: 08-18-06
					06-253-2-4