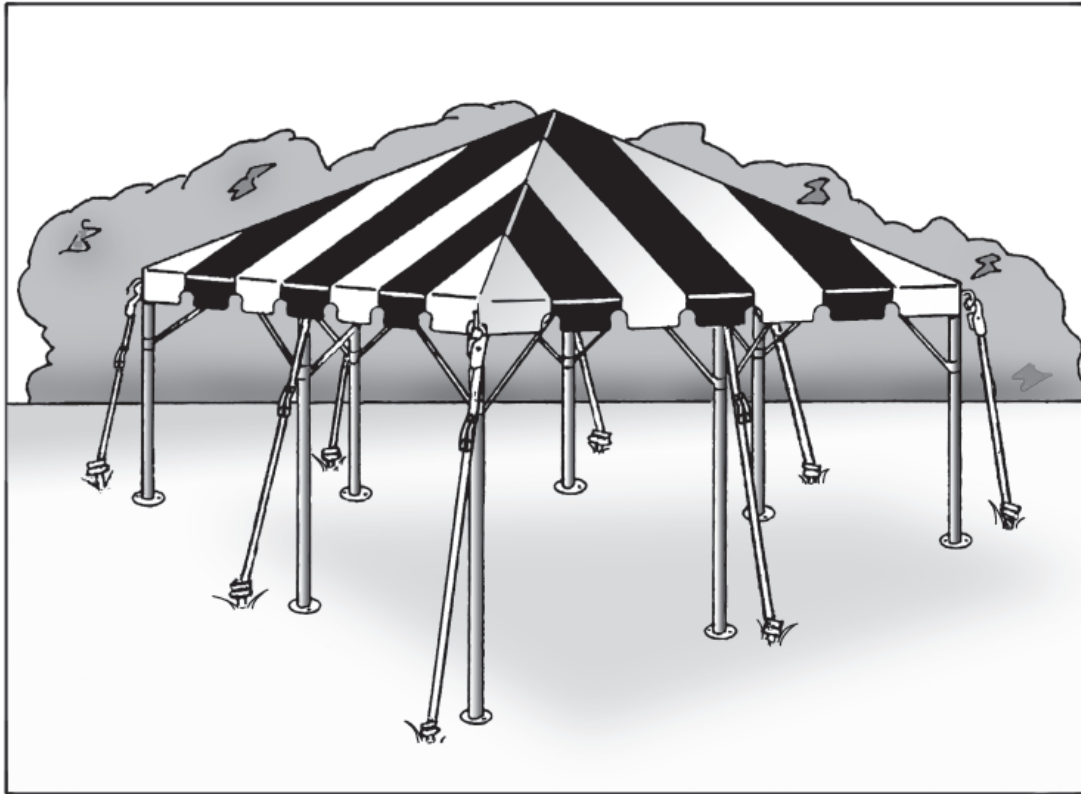


# Assembly Instructions



**Fiesta**  
Systems

**24' through 30' Wide Systems**

**With Expandable Kits**



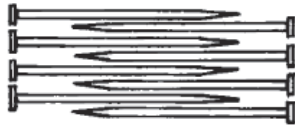
SALES OFFICES:  
1100 BURCH DRIVE  
PO BOX 3477  
EVANSVILLE, IN 47733 USA

PHONE: 812-867-2421  
FAX: 812-867-0547  
1-800-544-4445  
EMAIL: [tents@anchorinc.com](mailto:tents@anchorinc.com)  
[www.anchorinc.com](http://www.anchorinc.com)

PRODUCTION FACILITIES:  
BRADENTON, FL  
EVANSVILLE, IN

**24' x 24' Through 30' x 30'**  
**ARRANGE PARTS**  
**FOR ASSEMBLY**

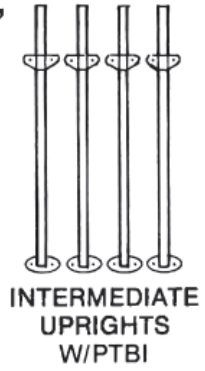
STORAGE BAG FOR TOP



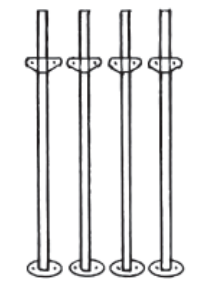
STAKES & GUY WEBS



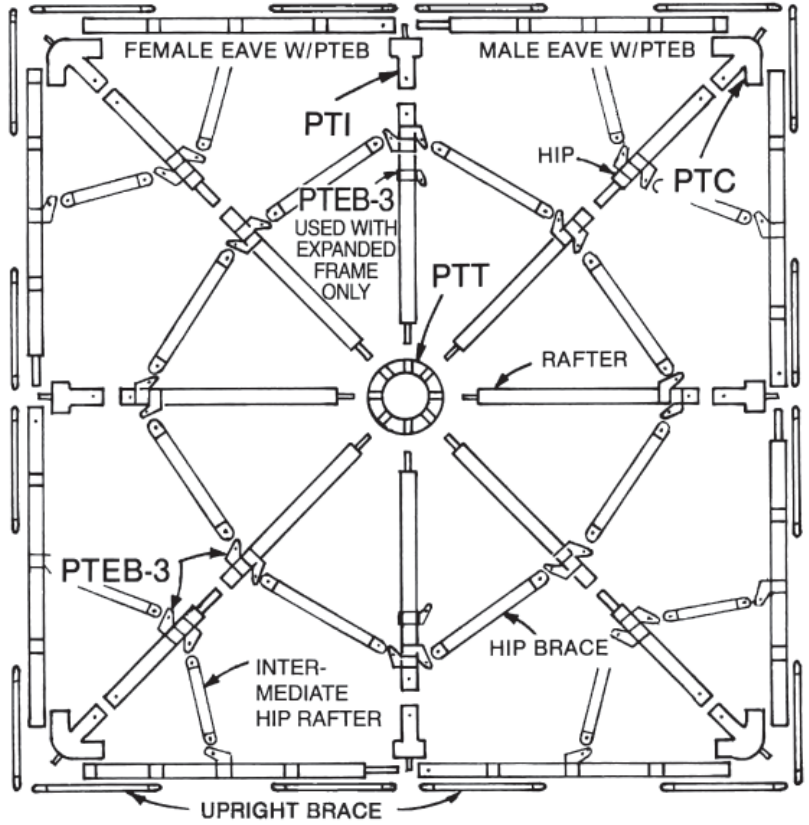
NAILS FOR UPRIGHT  
 BASE PLATES



INTERMEDIATE  
 UPRIGHTS  
 W/PTBI







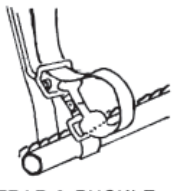





CORNER  
 UPRIGHTS  
 W/PTCB

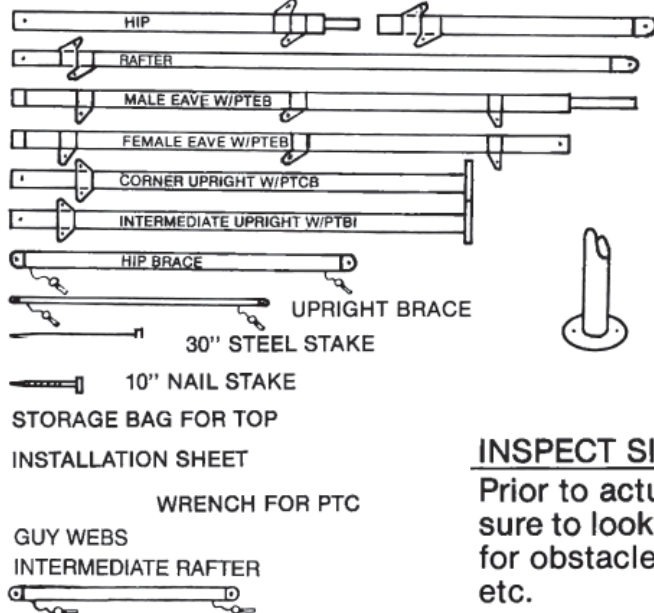


**PARTS LIST**

CHECKED      REQUIRED

_____	1 PTT
_____	4 PTC
_____	4 PTI
_____	4-2pc
_____	4*
_____	4
_____	4
_____	4
_____	4
_____	8
_____	16
_____	8
_____	16
_____	1
_____	1
_____	1
_____	8
_____	8

 PTEB EAVE BRACE	 PTT TOP	 PTC CORNER	 PTI INTERMEDIATE	 STRAP & BUCKLE
 PTCB CORNER BRACE	 PTI INTERMEDIATE	 PTBI	 PTEB-3 HIP BRACE	
<p><b>BASE PLATES</b>                  Unique to the Fiesta System, our 5" diameter base plate accepts two 10" nail stakes for added stability.</p> 				
<p><b>INSPECT SITE</b>                  Prior to actual frame assembly be sure to look up, down, above &amp; below for obstacles, pipes, wires, trouble, etc.</p>				
<p><b>LAYOUT &amp; CHECK</b>                  Utilize parts list for a quick I.D. and to ensure that you have all the parts.</p>				



CHECKED BY: \_\_\_\_\_

DATE: \_\_\_\_\_

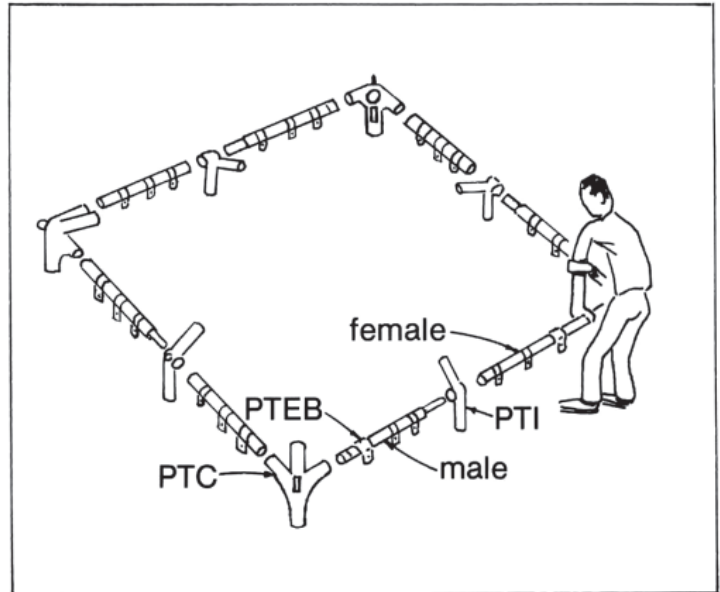
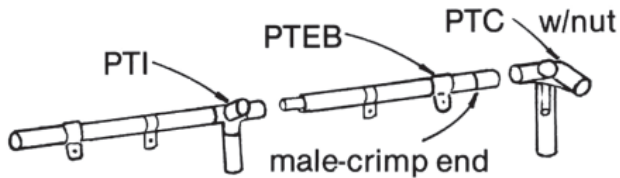
\* (2) RAFTERS HAVE AN  
 ADDITIONAL PTEB-3 ATTACHED

**1**

## EAVE ASSEMBLY\*

Begin by placing PTI casting over Female Eave Bar. Then join Male Eave Bar with long pin from PTI through bars only. Do not pin through PTI. Nut holding PTEB must be on top of bar.

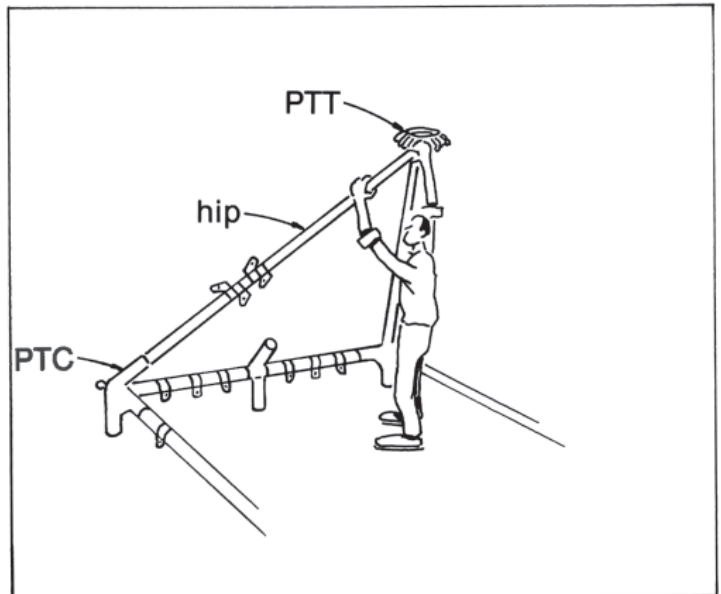
Insert complete eaves into PTC casting and hand tighten PTC nut. Use Fiesta wrench for a  $\frac{1}{4}$  to  $\frac{1}{2}$  additional turn. Do not over tighten.

**2**

## HIP & PEAK

Join male and female ends of two-piece Hip and secure with pin. Insert Hip Bar into PTC Corner Casting. Fasten with short pin. Insert opposite end into PTT Peak Casting and fasten with pin.

A second installer should support the PTT while hips are being attached.

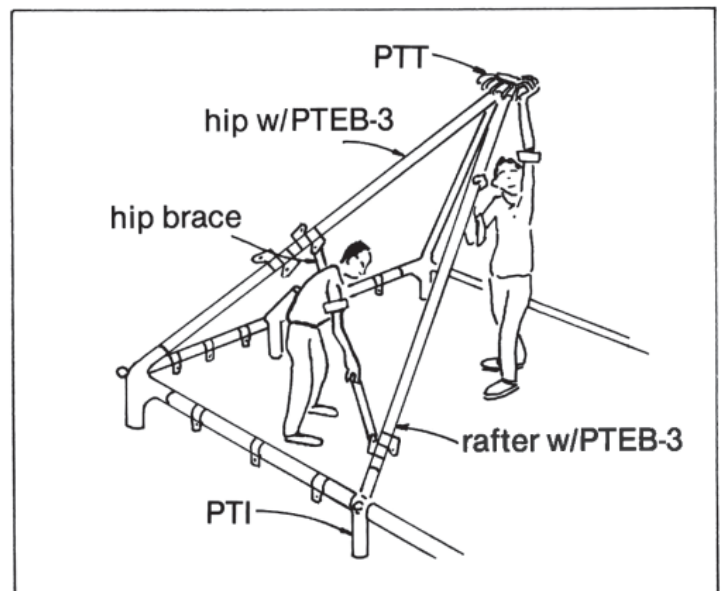
**3**

## RAFTERS & BRACES\*

Insert Rafter Bar into PTI Casting; fasten with short pin. Insert opposite end into PTT Casting and fasten with pin.

Connect Hip Brace to PTEB-3's on Hip and Rafter using pins attached.

Connect Intermediate Rafter to PTEB-3's on Hip and Eave using pins attached.

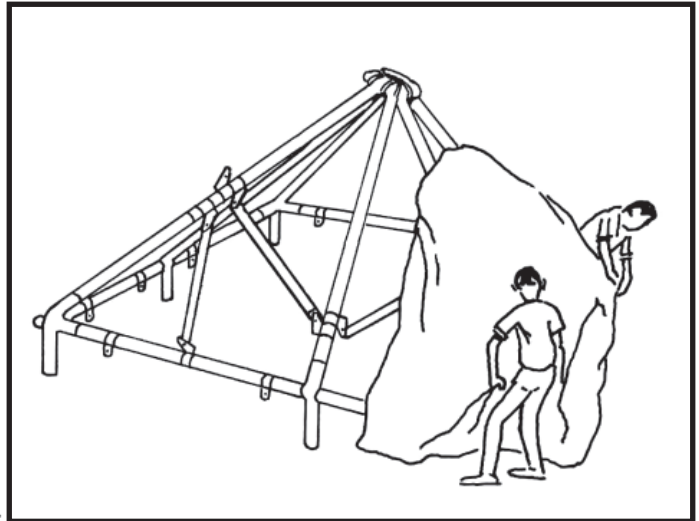
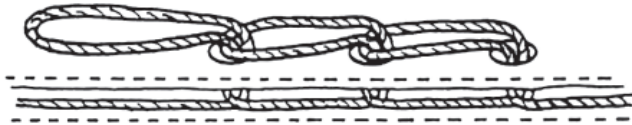


\* For 10'-0" starter kit and extension parts and instructions, see pages 5 & 6.

**4**

## PUT TOP ON

Spread drop cloths. Lay out two piece top with lace edges together and top side up. Matching centerlines, push first loop up through corresponding grommet. Continue lacing process and cover lacing with protective flap and snap to rings. Tie off last long lacing loop. Repeat steps on opposite side starting with second loop from ridge. Place top over frame. Fasten a Fiesta® buckle at each side of corners and at center of each side (more if required) to keep top from blowing off.

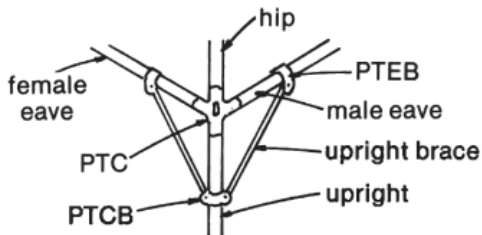
**5**

## LIFT ONE SIDE

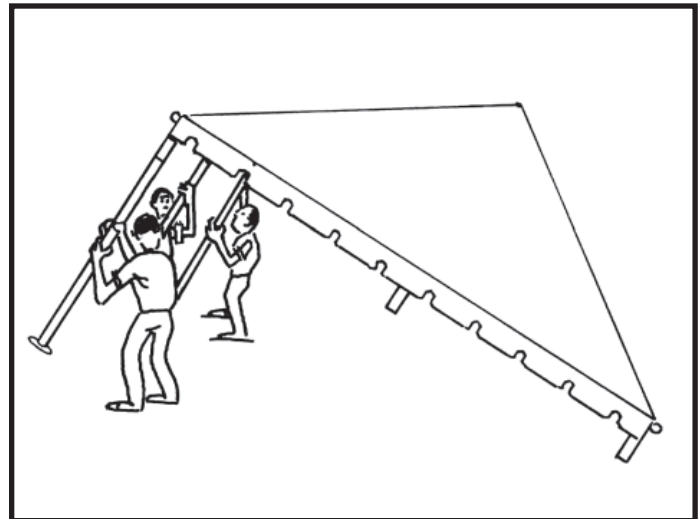
Lift one side of frame, insert both Corner Uprights into PTC Corner Castings and fasten with long pin. Then insert Intermediate Upright into PTI Casting and fasten with long pin.

### CAUTION:

Braces at both corners and intermediate upright "MUST" be in position before lifting other side.



Warning: Do not drag fabric tent top across hard or rough surfaces as abrasion from tent hardware is possible.

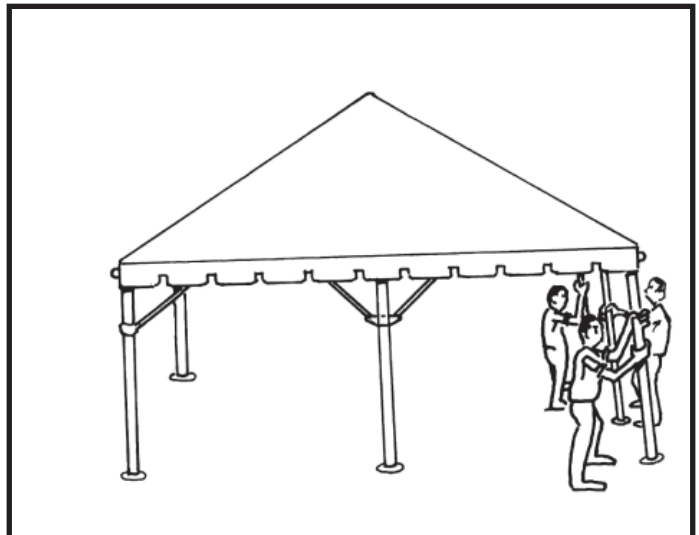
**6**

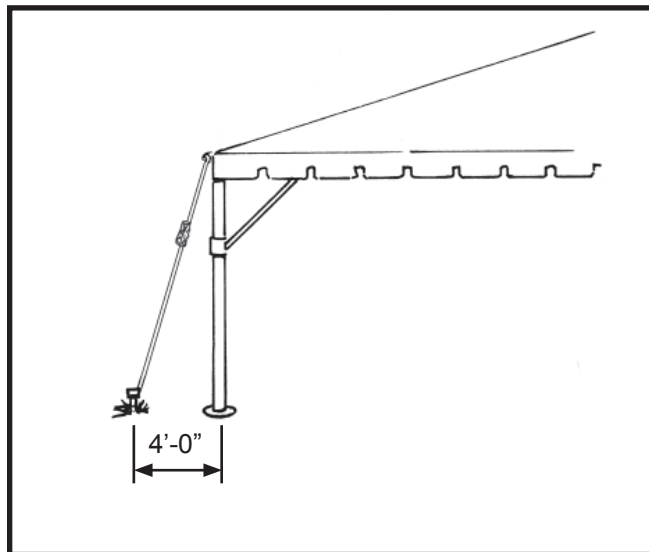
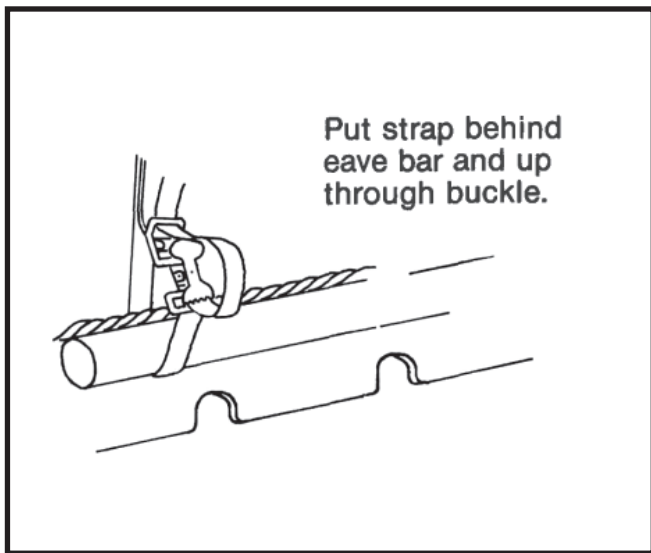
## LIFT OTHER SIDE

Lift other side of frame, insert both Corner Uprights into PTC Corner Castings and fasten with long pin. Then insert Intermediate Upright into PTI Casting and fasten with long pin.

### CAUTION:

Braces at both corners and intermediate upright "MUST" be in position before lifting other side.





## 7 SECURE TOP TO FRAME

Starting at center of opposite sides, fasten Fiesta buckles to frame, wrap web strap around eave bar and wall rope, then tension with buckle.

## 8 WEBS & STAKES

Position tent as desired. (If uprights adjustable, raise to proper height.) Attach guy web and stakes as shown. Periodically check to make sure all are secure and taut. Protective covers are recommended for all stakes.

“See caution on back page.”

### IMPORTANT:

Guy webs must be in place at all times.

## 9 TAKE DOWN

1. Release straps and buckles.
2. Remove intermediate uprights on three sides. Leave installed on side to be taken down last.
3. “Loosen” all guy webs.
4. Starting on one side – remove all braces.

### CAUTION:

Do not remove braces from opposite side until first side is lowered to ground.

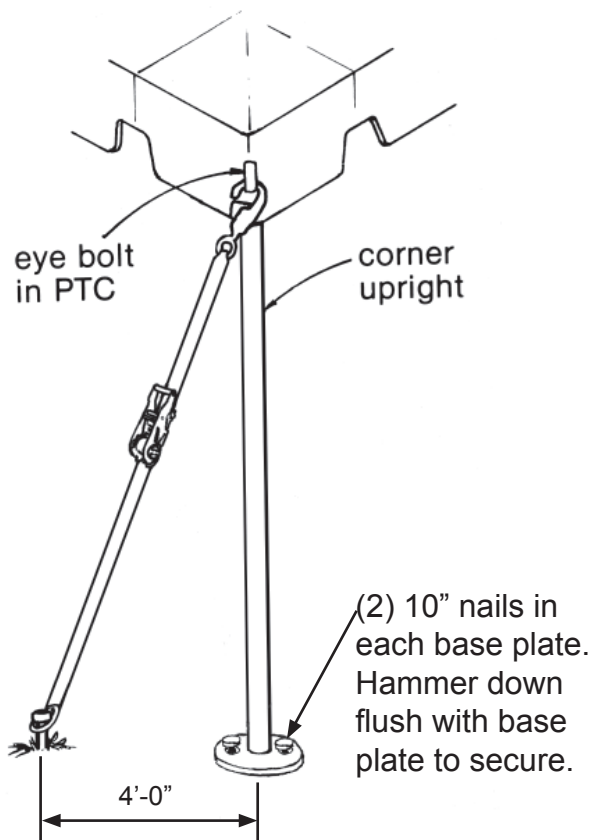
5. Remove (2) corner uprights and lower one side to ground.
6. Repeat assembly steps #1-#6 in reverse for disassembly.

### MANPOWER REQUIRED:

Three experienced installers should be able to assemble in less than one and one-half hours.

### TOOLS REQUIRED:

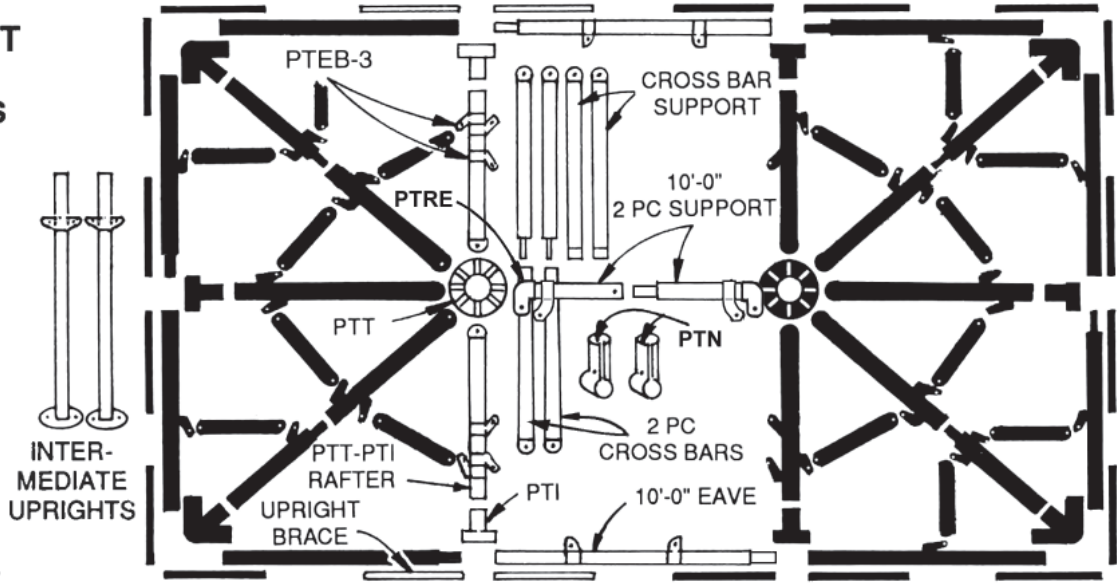
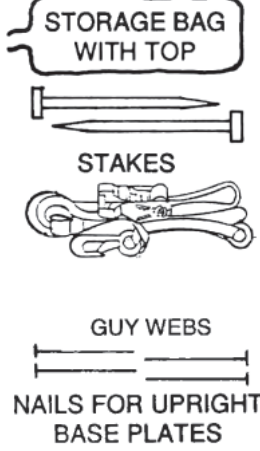
Sledge Hammer  
Fiesta Wrench (supplied)



# SUPPLEMENTAL INSTRUCTIONS TO EXTEND LENGTH BY 10'0"

## 10' STARTER KIT

### ARRANGE PARTS FOR ASSEMBLY

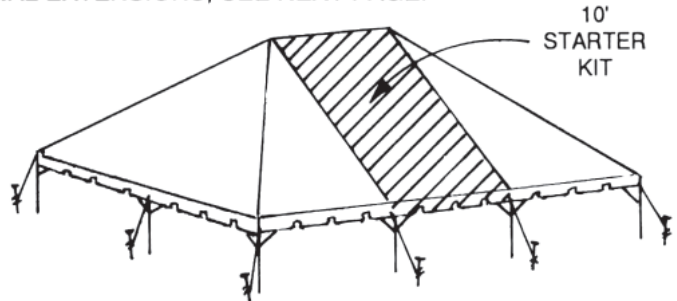


10' STARTER FRAME MEMBERS ARE NOT SHADED. FOR ADDITIONAL EXTENSIONS, SEE NEXT PAGE.

## PARTS LIST

CHECKED    REQUIRED

CHECKED	REQUIRED	PART
_____	1	PTT
_____	2	PTI W / EYE BOLT
_____	2	PTN
_____	2	PTT-PTI RAFTER
_____	2	EAVE 10'-0"
_____	2	2 PC CROSS BAR
_____	1	2 PC 10'-0" RIDGE
_____	2	INTER-UPRIGHT W/PTBI
_____	2	CROSS BAR SUPPORT
_____	4	UPRIGHT BRACE
_____	2	30° STEEL STAKE
_____	4	10" NAIL STAKE
_____	2	GUY WEBS
_____	1	INSTRUCTION SHEET



## MANPOWER REQUIRED

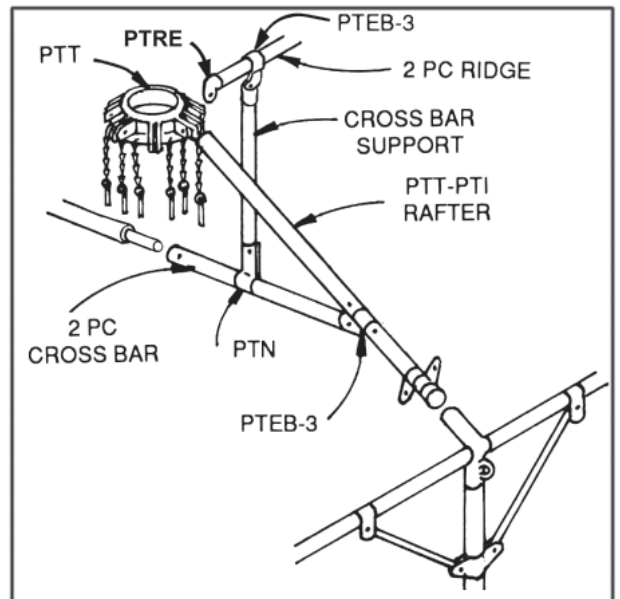
Four experienced installers should be able to assemble in less than two hours.

3a

## RIDGE & CROSS BARS

Connect 2-pc ridge and pin to PTTs using the PTRE pointed downward so that the ridge is elevated.

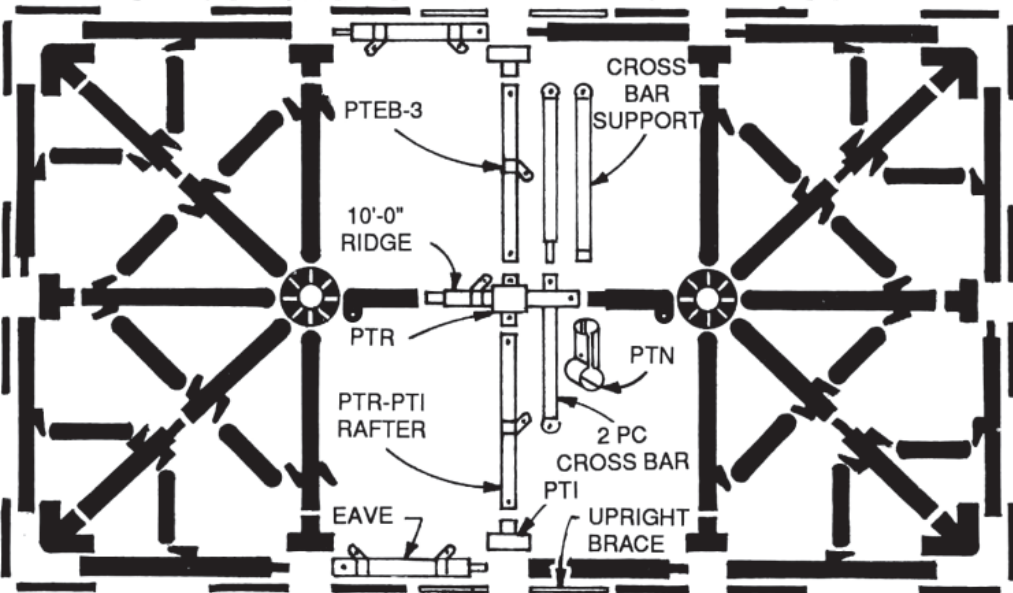
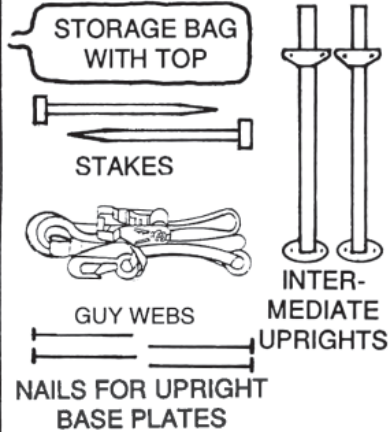
Pin cross bars together and attach to frame as shown.



# SUPPLEMENTAL INSTRUCTIONS TO EXTEND LENGTH BY 10'0"

## 10' EXTENSION KIT

### ARRANGE PARTS FOR ASSEMBLY



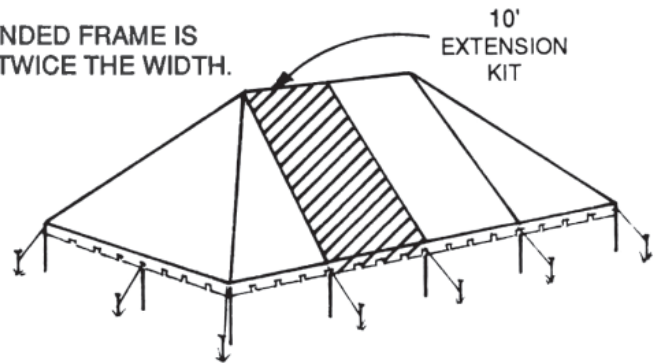
10' EXTENSION FRAME MEMBERS ARE NOT SHADED. FOR ADDITIONAL EXTENSIONS, REPEAT FRAME PATTERN.

### PARTS LIST

CHECKED    REQUIRED

_____	1	PTN
_____	1	PTR
_____	2	PTI W / EYE BOLT
_____	2	• PTR-PTI RAFTER W(1) PTRB-3
_____	2	• 10' EAVE W/2 PTRB-3
_____	1	• 2 PC CROSS BAR
_____	1	• 10'-0" RIDGE
_____	2	• INTER-UPRIGHT W/PTBI
_____	1	• CROSS BAR SUPPORT
_____	4	UPRIGHT BRACE
_____	2	30° STEEL STAKE
_____	4	10° NAIL STAKE
_____	2	GUY WEBS
_____	1	INSTRUCTION SHEET

LENGTH OF EXTENDED FRAME IS NOT TO EXCEED TWICE THE WIDTH.



### MANPOWER REQUIRED

Five installers and two and one half hours assembly time for a 30' x 50' unit.

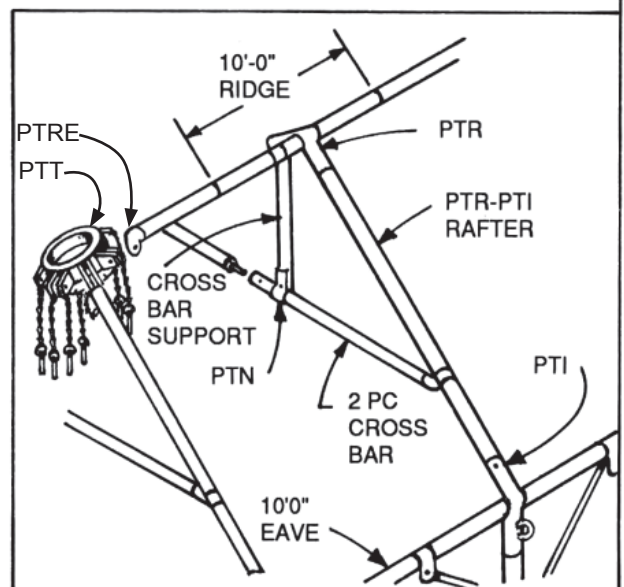
3a

### RIDGE & CROSS BAR

Slide PTR on to 10'-0" ridge. Align with hole at center of ridge and pin. Repeat for each 10'-0" ridge. Pin 10'-0" ridges together and add existing ridges to each end. Lift and pin assembled ridges to PTT's, using the PTRE pointed downward so that ridges are elevated.

Insert PTR-PTI rafters into PTRs and PTIs and pin.

Pin Cross Bars together and attach to frame as shown.





**PHONE NUMBER**  
812 · 867 · 2421

**FAX NUMBER**  
812 · 867 · 0547

Anchor products are of superior design and operate best within the parameters of these instructions. It is imperative that the instructions be carefully read and **COMPLETELY FOLLOWED**. Please read installation instructions before the installation or removal of this product. Installation instructions are available online at [www.anchorinc.com](http://www.anchorinc.com) or by calling 1-800-544-4445.

### **CAUTION:**

1. For each installation, the installer is solely responsible for evaluating the site and the proper securing method determined. Some soils require different staking or securing than that provided with the tent. Due to this variety of soil conditions, these are the manufacturer's suggested sequence of installation procedures. Anchor's responsibility is limited to the manufacture of the tent parts and materials. We are not responsible for methods that installers may choose to erect and secure the tent to the ground.
2. The number of stakes suggested in the installation instructions do not necessarily meet all or any relevant codes on the site of the tent installation. The number of stakes suggested **will, in many cases, keep the tent erected**, however, due to various soil conditions; these stakes will be insufficient **to keep the tent secure in high winds**. It is the tent installer's responsibility, not the manufacturer, to determine the appropriate number of stakes to meet the necessary wind loads on the site. Regardless of the number of stakes we suggest, we make no representation or warranty as to whether this specific number of stakes will meet the local tent code. Anchor does not, nor can it make any suggestions, representation, or warranties about the adequate staking required at each specific installation site. Staking information provided in the installation instructions **is not a suggestion about what is necessary to meet a site-specific load**.

**For additional important information, consult: "The IFAI Procedural Handbook For the Safe Installation and Maintenance of Tentage" and the IFAI Pocket Guide "Pullout Capacity of Tent Stakes", both available from the IFAI Tent Rental Division or on our website.**

3. Inasmuch as the weather is unpredictable, good judgment and common sense must be incorporated within installation guidelines. It is the responsibility of the tent installer/maintainer to determine the severity of the weather, proper time and method of installation and/or erection and disassembly. **Note: We recommend that snow and ice be removed from the tent surface as soon as possible because accumulation will damage the tent or fabric structure. Please consult with our Engineering Department about the maximum loads for each product.**

This product has been manufactured for use as a temporary structure. For the safety of all occupants, evacuation is recommended if threatening weather occurs, or if there is any doubt concerning the safe use of this product.

4. Proper safety equipment should be used at all times to insure a safe installation and take down. We suggest a careful evaluation be made to determine safety equipment needed, such as hard hats, steel-toe shoes, safety glasses and other as required. It is our desire that all installations are safe. Please be aware of hidden dangers both underground, i.e., gas lines, water lines, electrical lines, etc. and above the tent such as power lines and telephone lines.
5. Anchor stands behind its products in accordance with its standard Terms and Conditions of sale. A copy of our Terms and Conditions of Sale can be obtained by contacting Anchor at the telephone number and/or address on this document.