

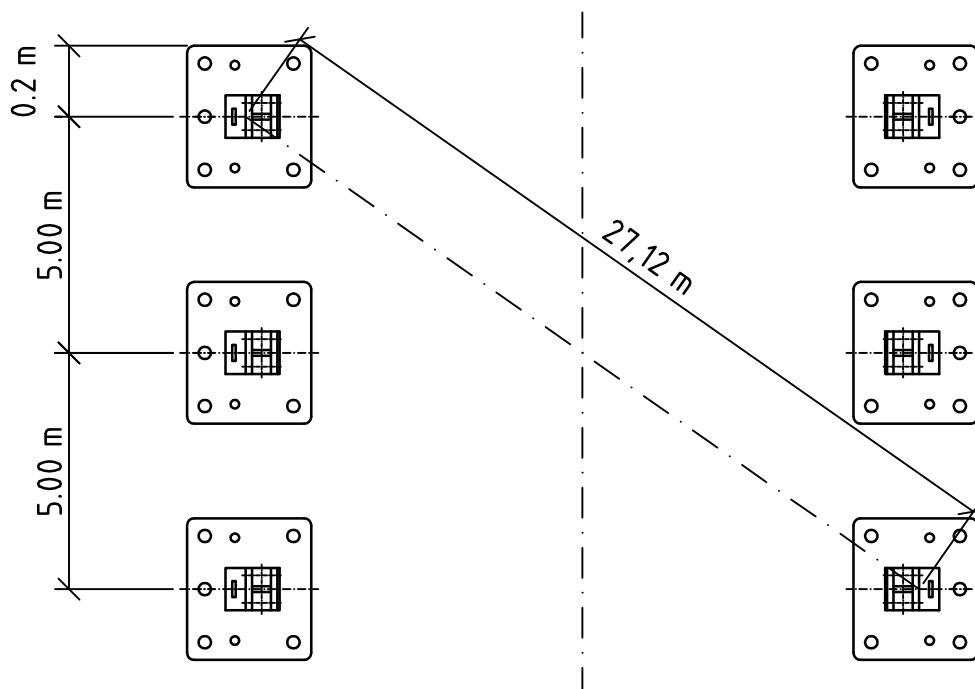
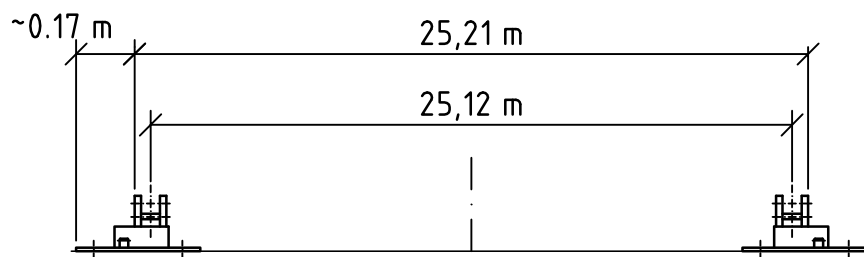


Party and exhibition tents system uniflex

Assembly guide

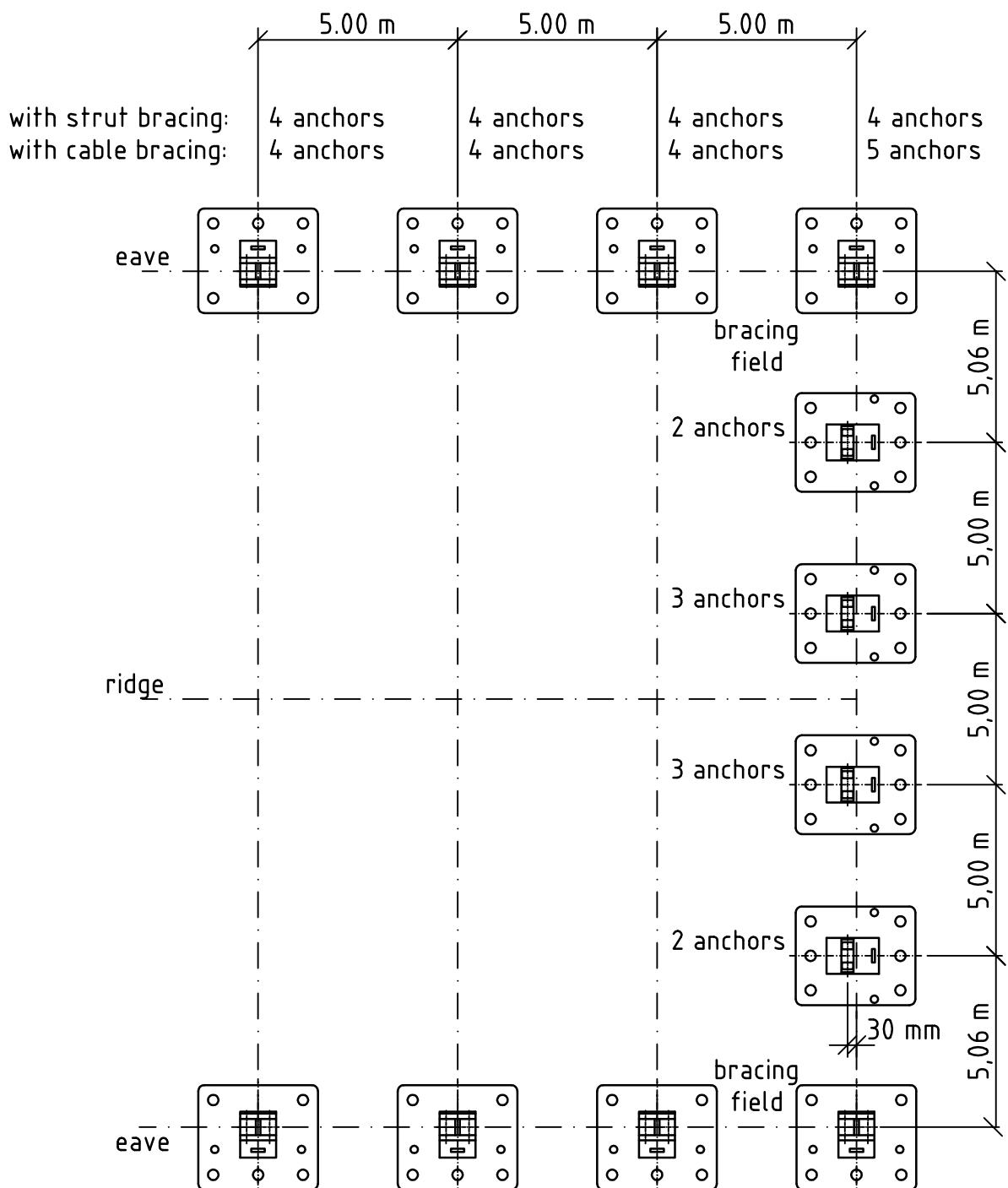
Type 25,3/340

measurement sketch for
frame pole base plates
25,3/... P3N



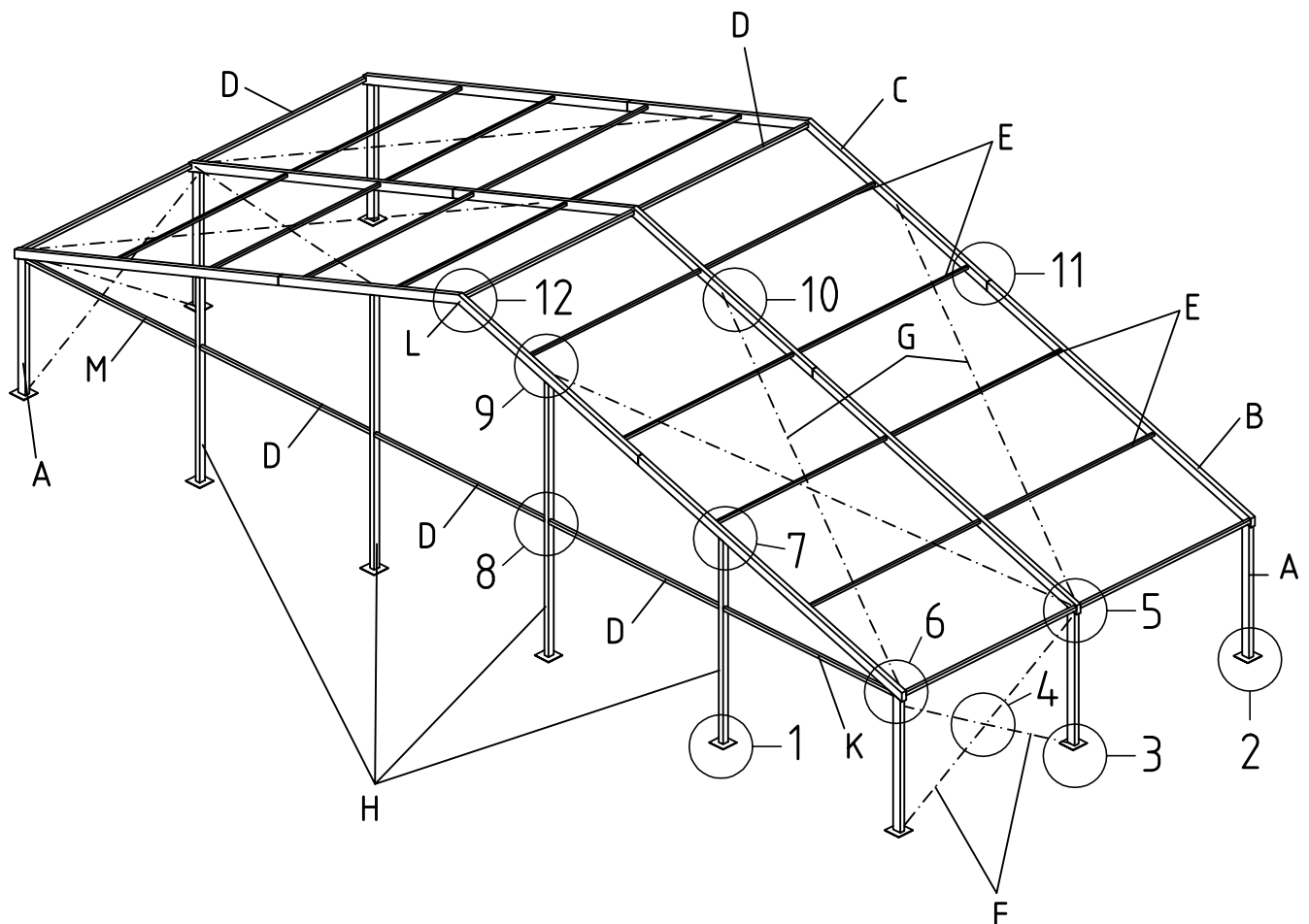
measurement sketch for
 gable pole base plates
 anchoring
 25,3/340 P3N

steel anchors $\varnothing 30\text{mm}$, driving depth 1.00m



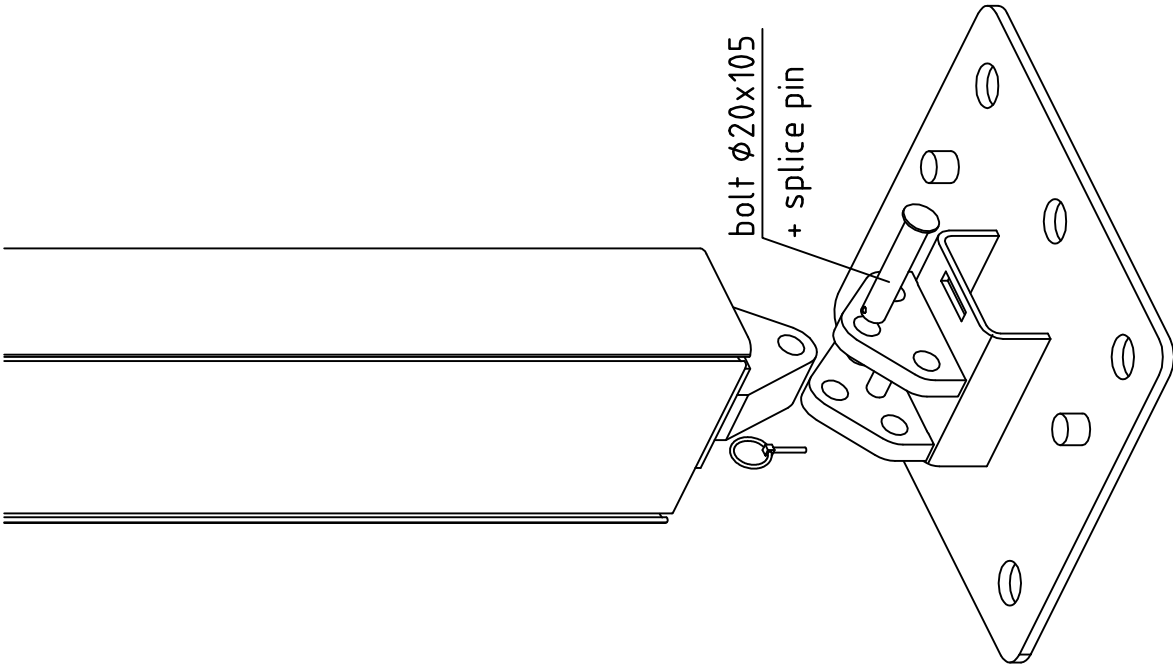
Party and exhibition tent 25,3/340.. P3N

- A - frame pole
- B - frame beam
- C - eave or ridge purlin 100x80
- D - intermediate purlin 60x60
- E - vertical brace
- F - roof wire cable
- G - gable pole
- H - ridge head
- L - gable wall beam right
- K - gable wall beam left

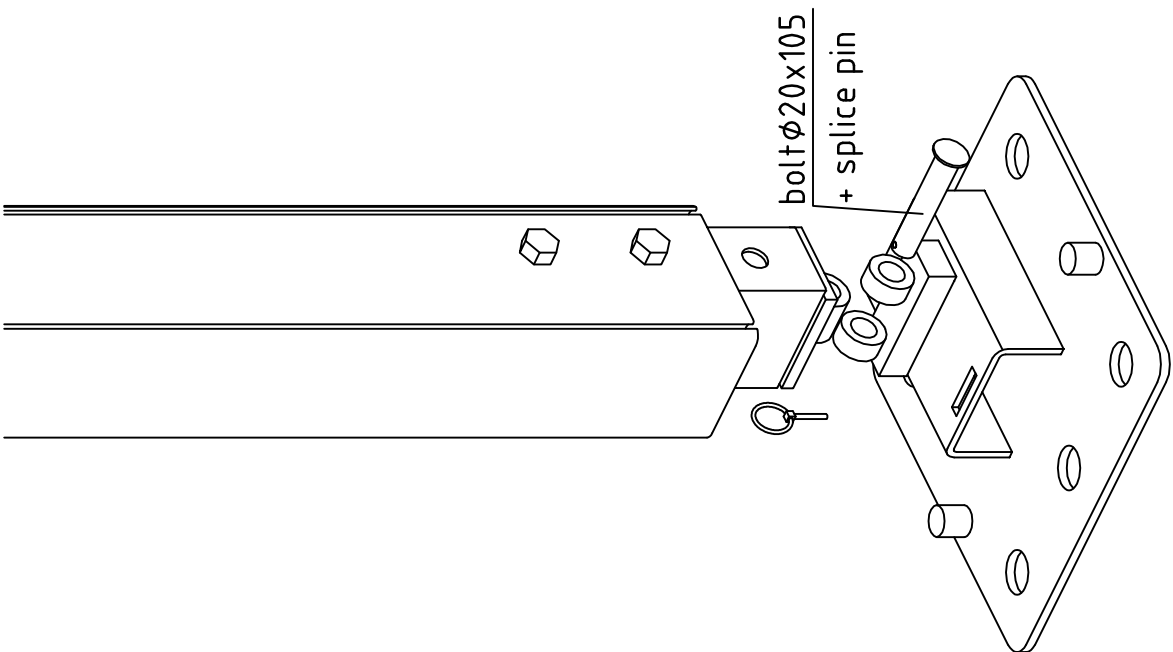


Assembly guide , frame

2

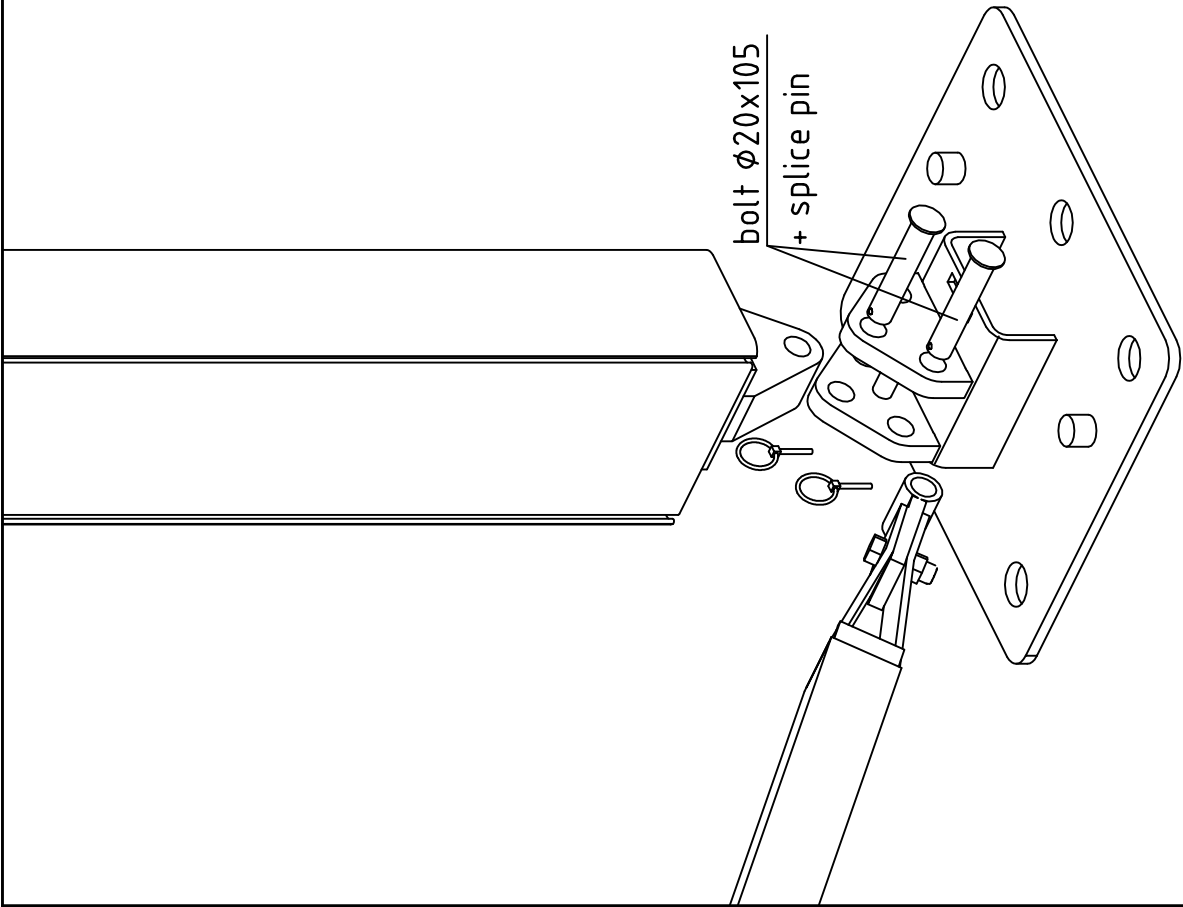


1



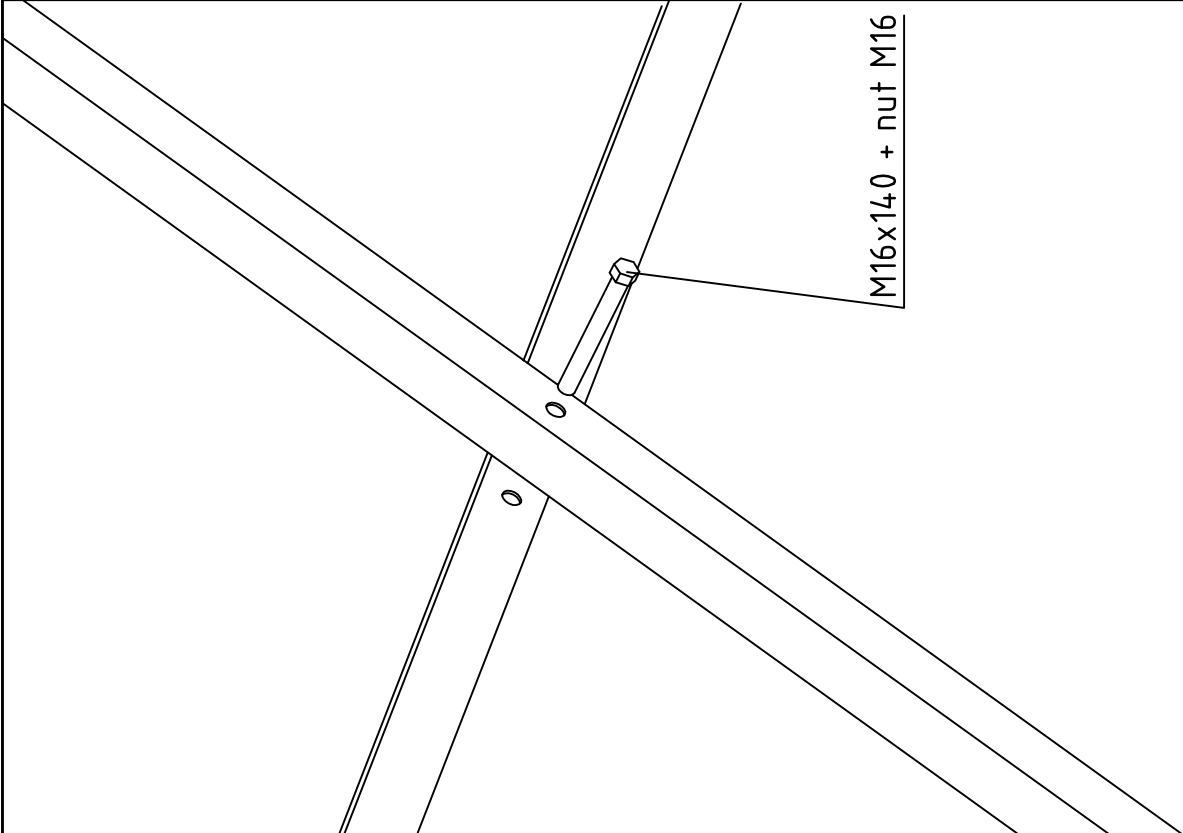
3

bolt $\phi 20 \times 105$
+ splice pin



4

M16x140 + nut M16

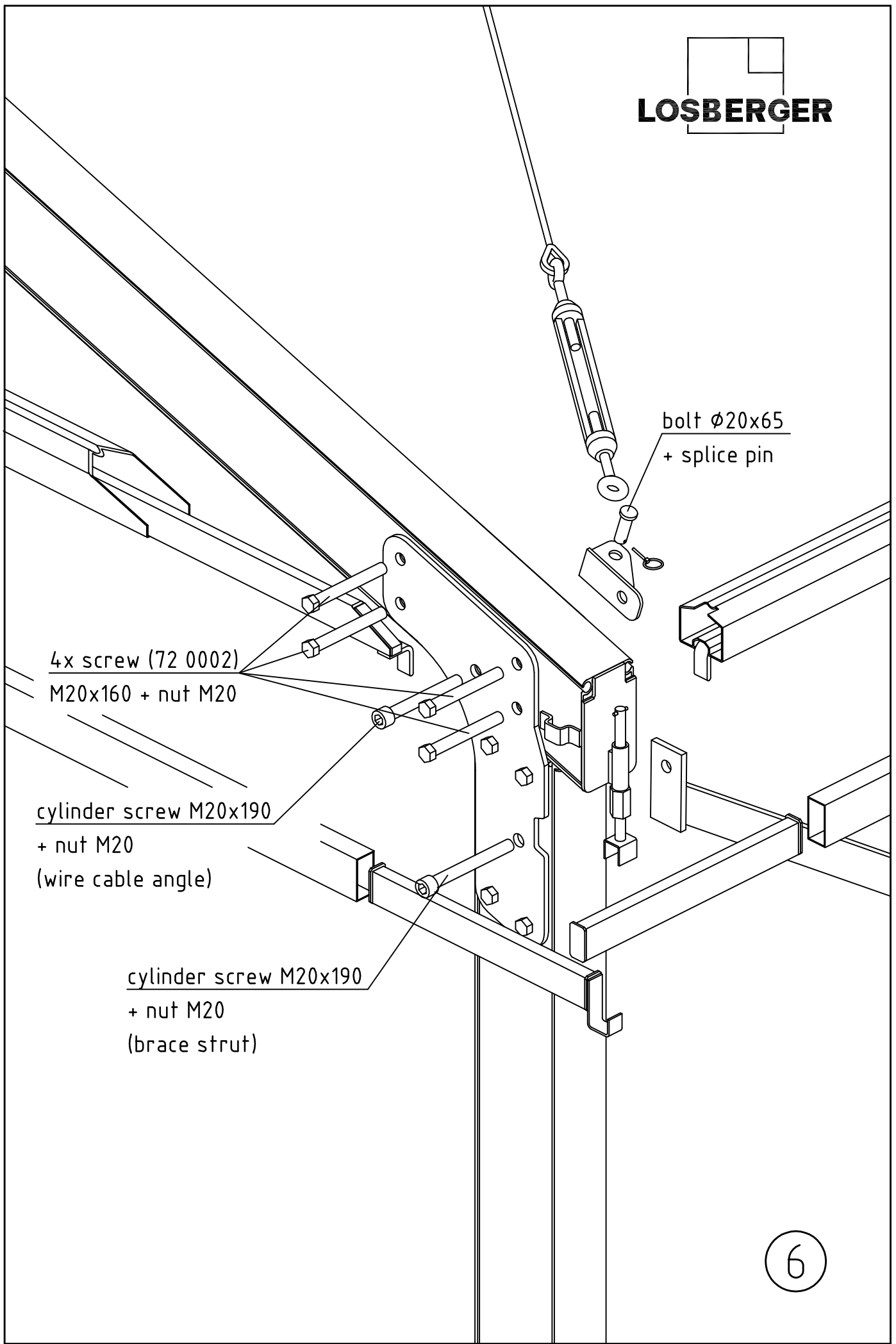


bolt $\phi 20 \times 65$
+ splice pin

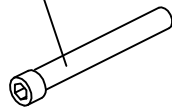
4x screw (72 0002)
M20x160 + nut M20

cylinder screw M20x190
+ nut M20
(wire cable angle)

cylinder screw M20x190
+ nut M20
(brace strut)



cylinder screw M20x160
+ nut M20



8

b) system wall

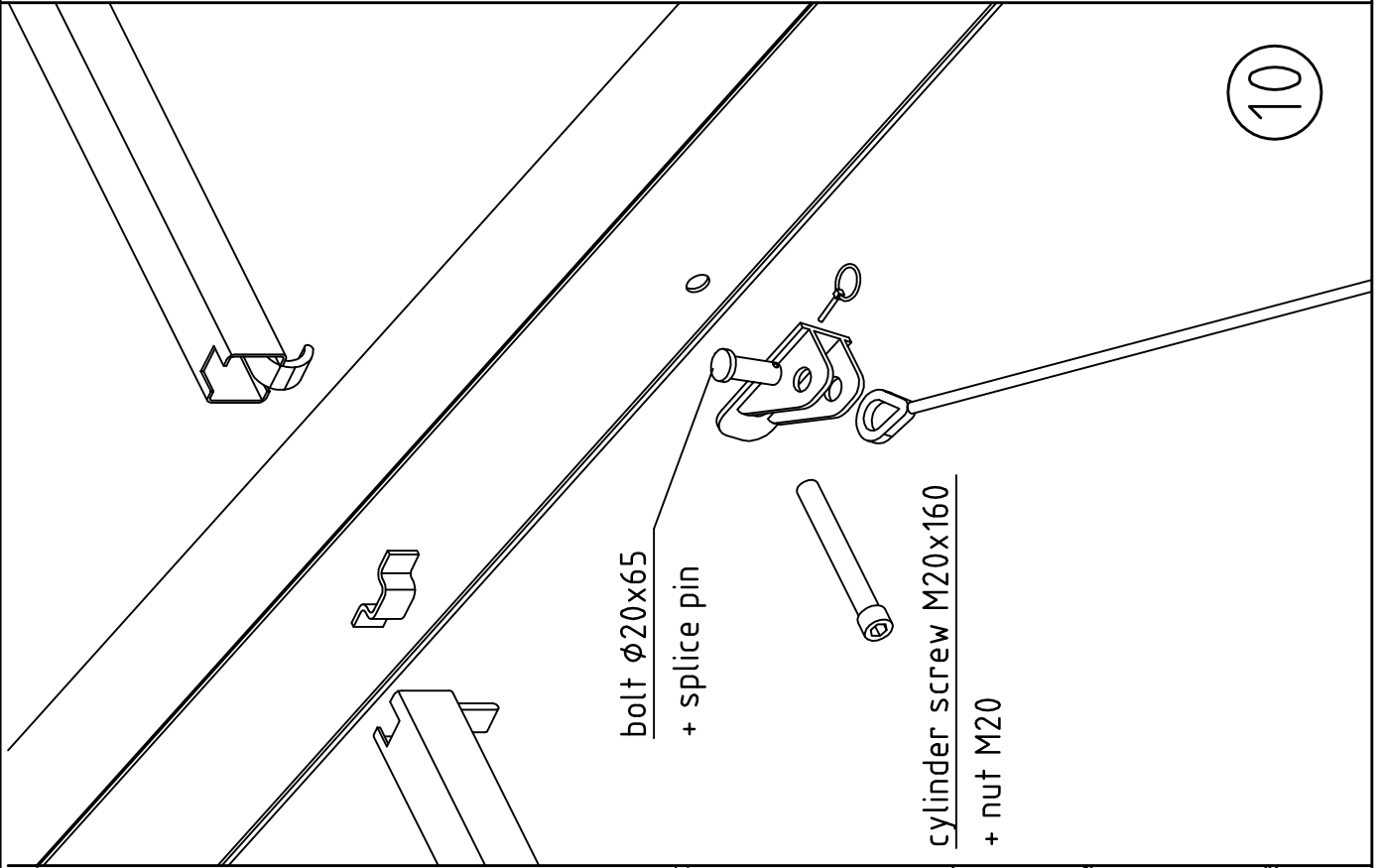
M10x70

8

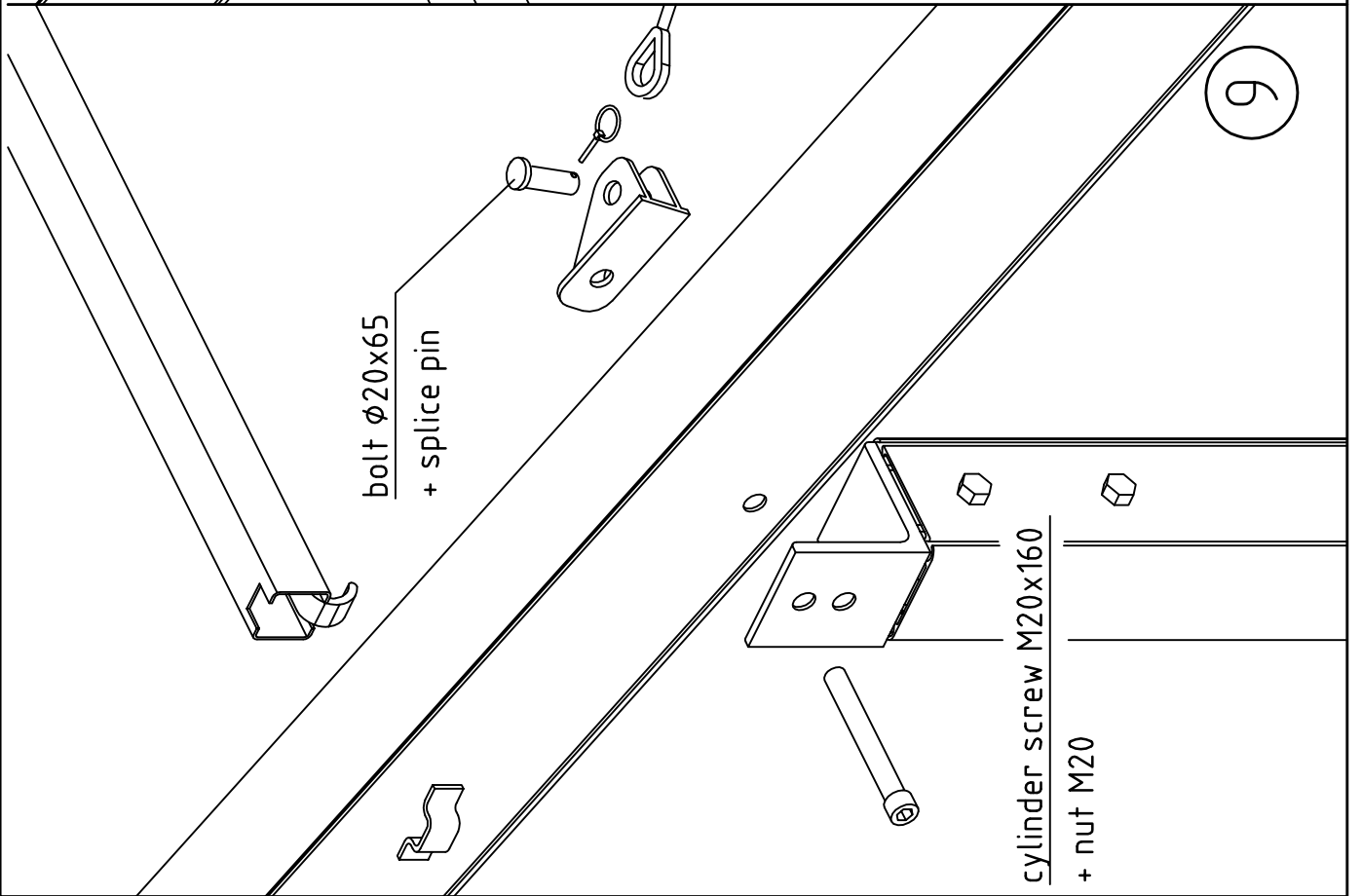
a) textile wall
canvas

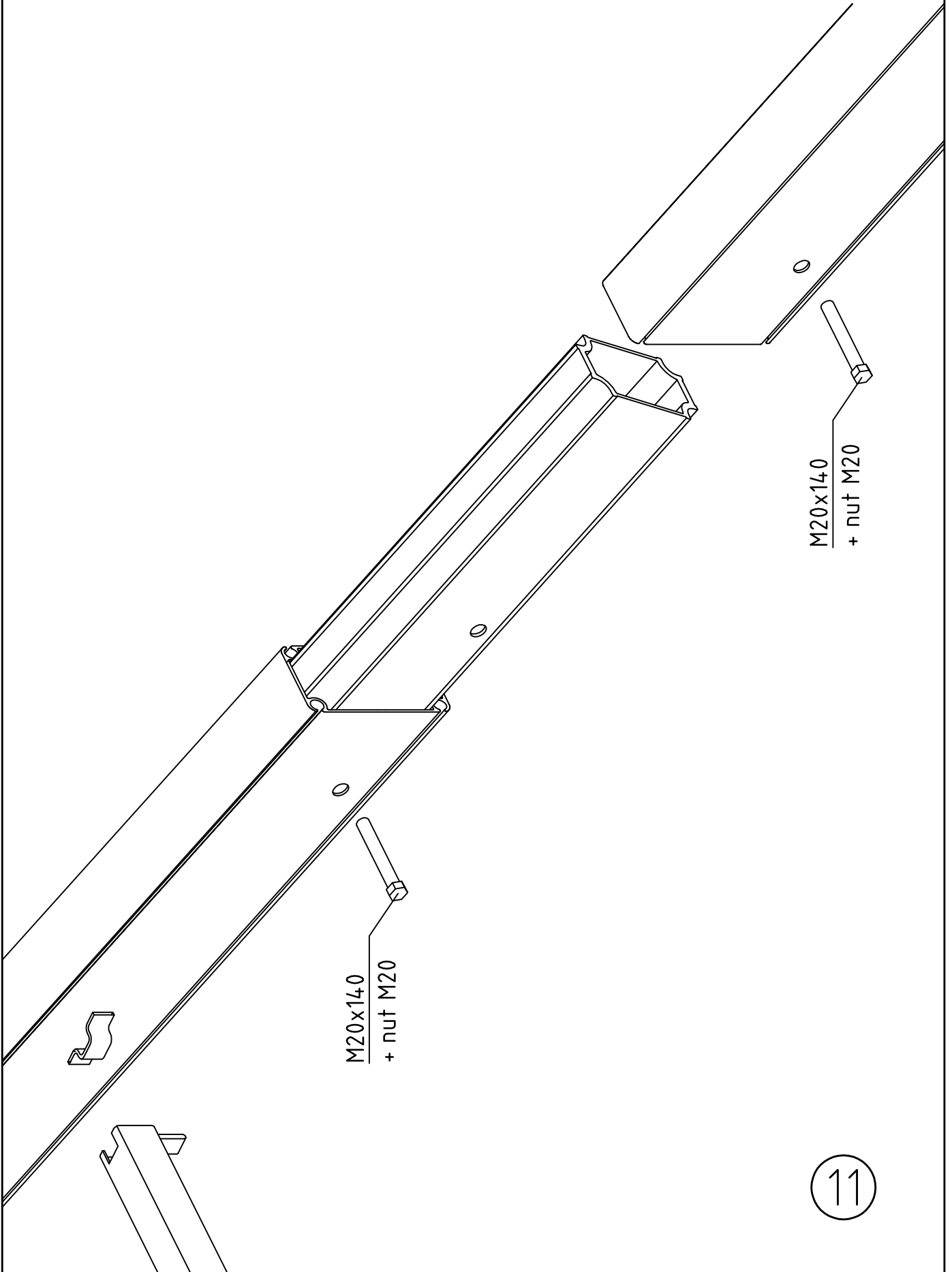
0

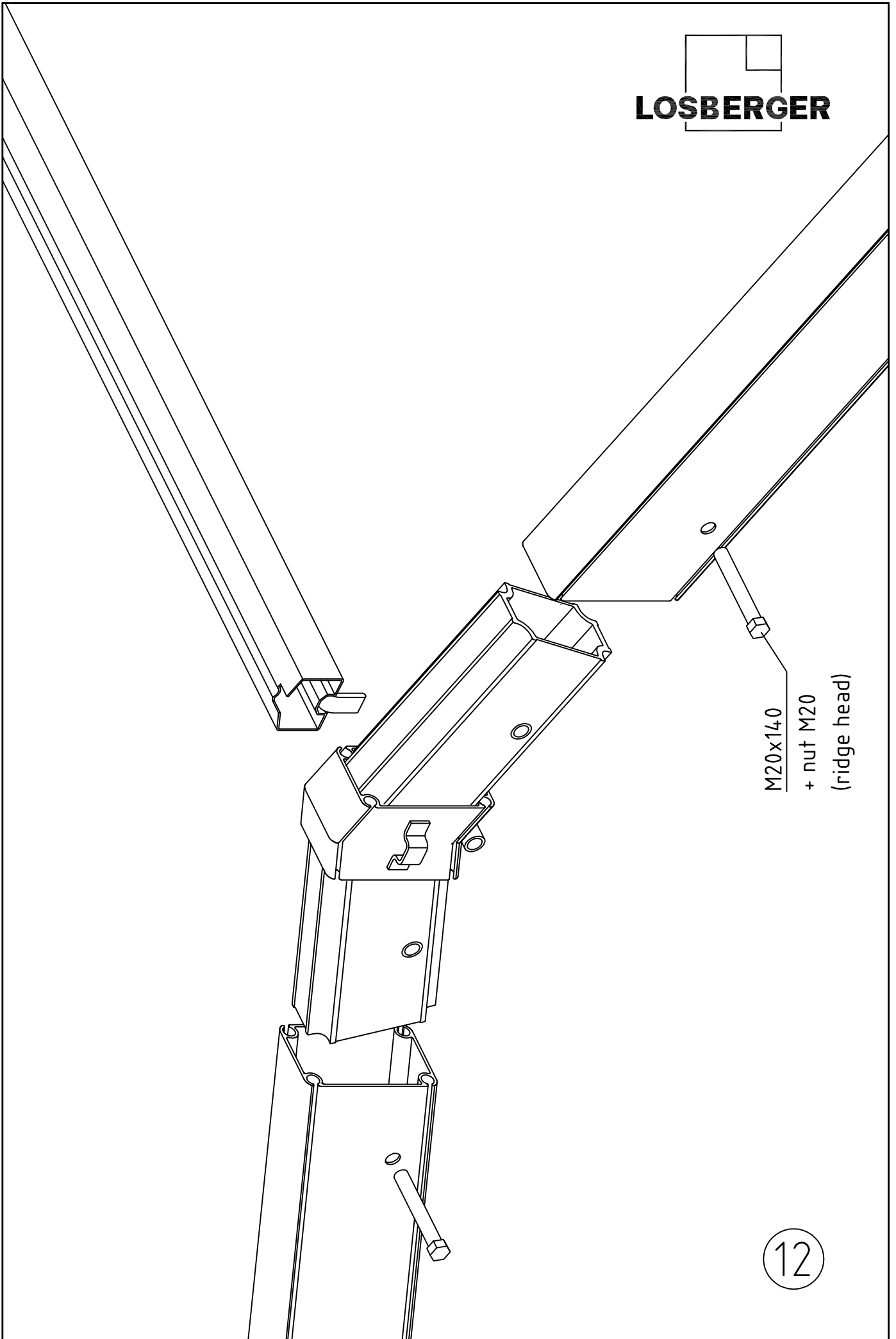
10



9

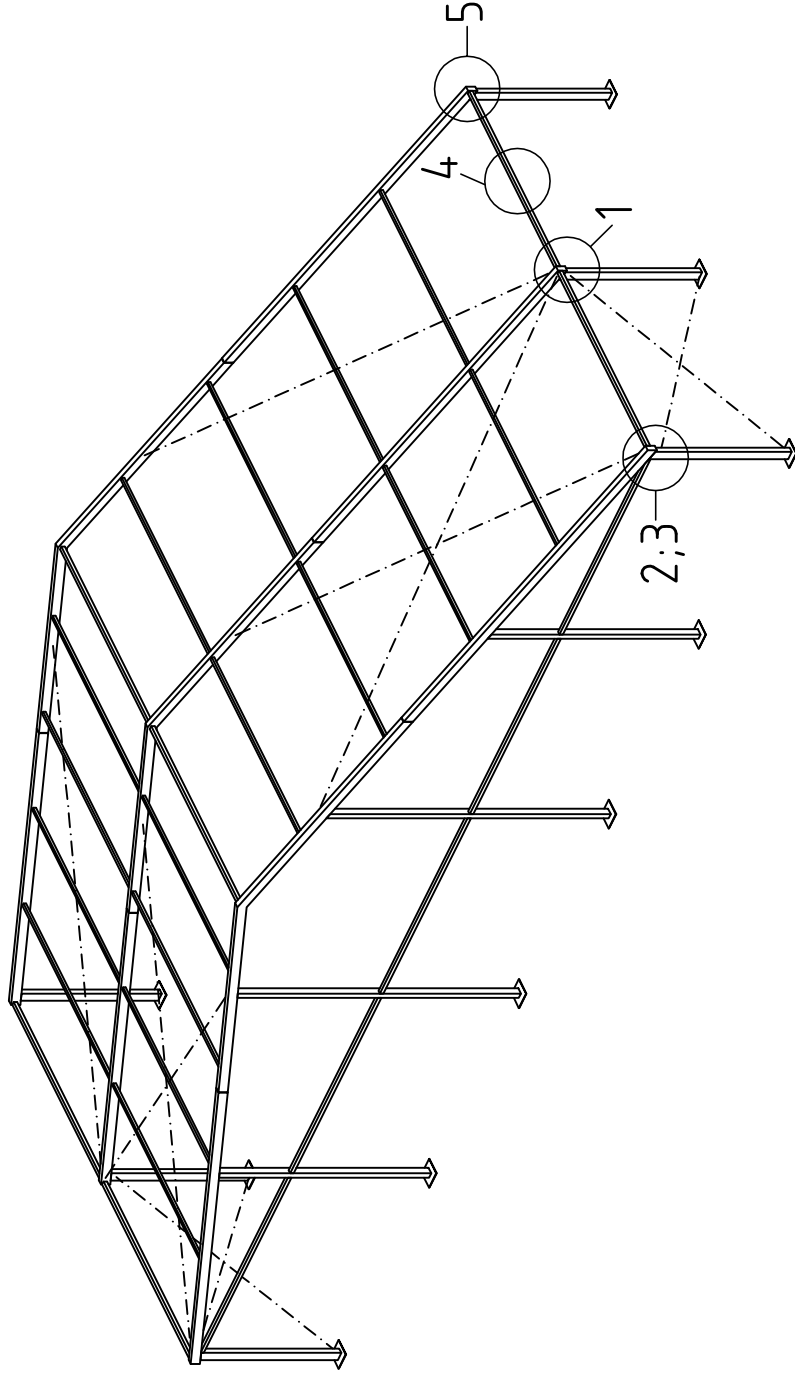


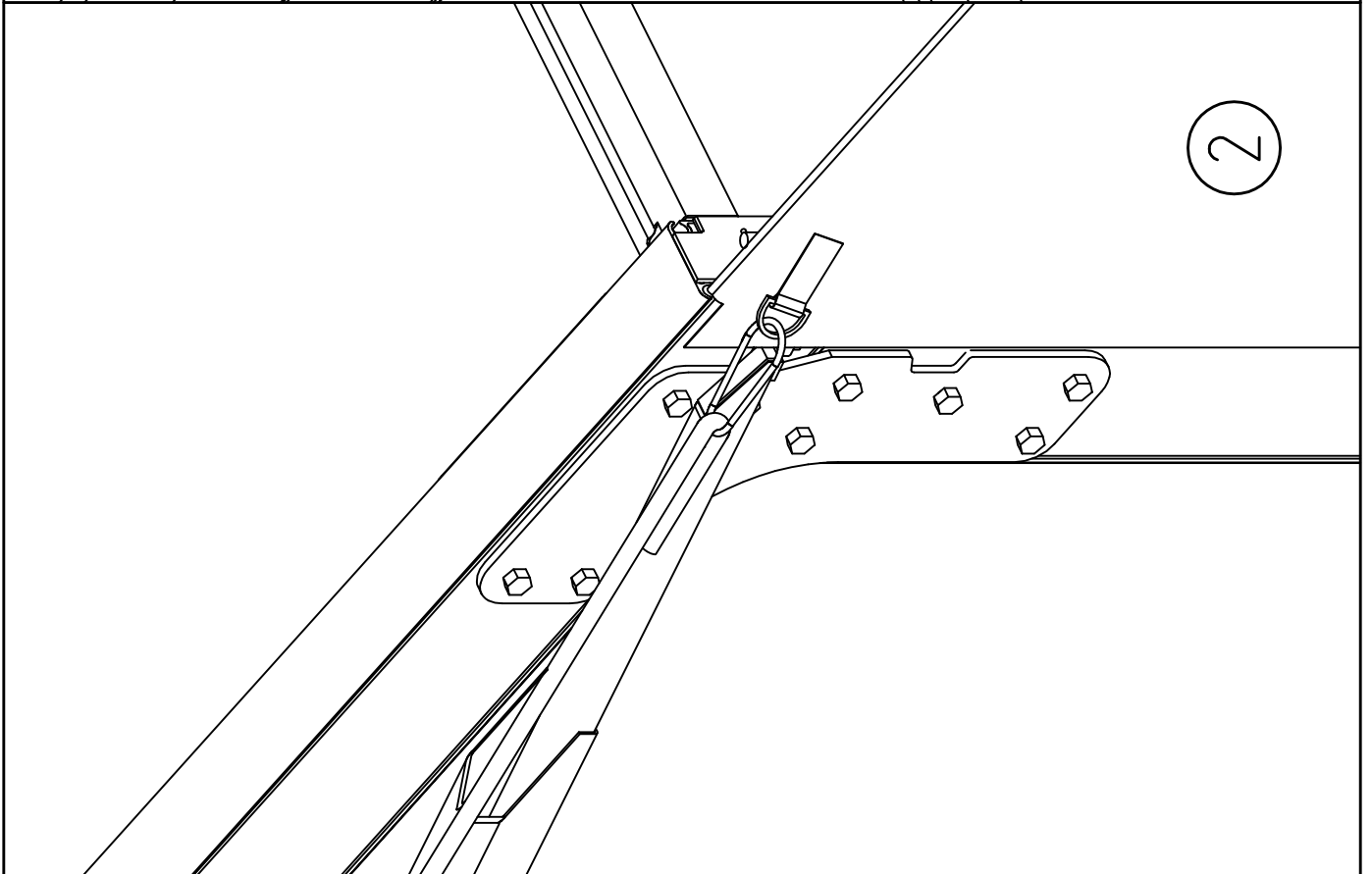
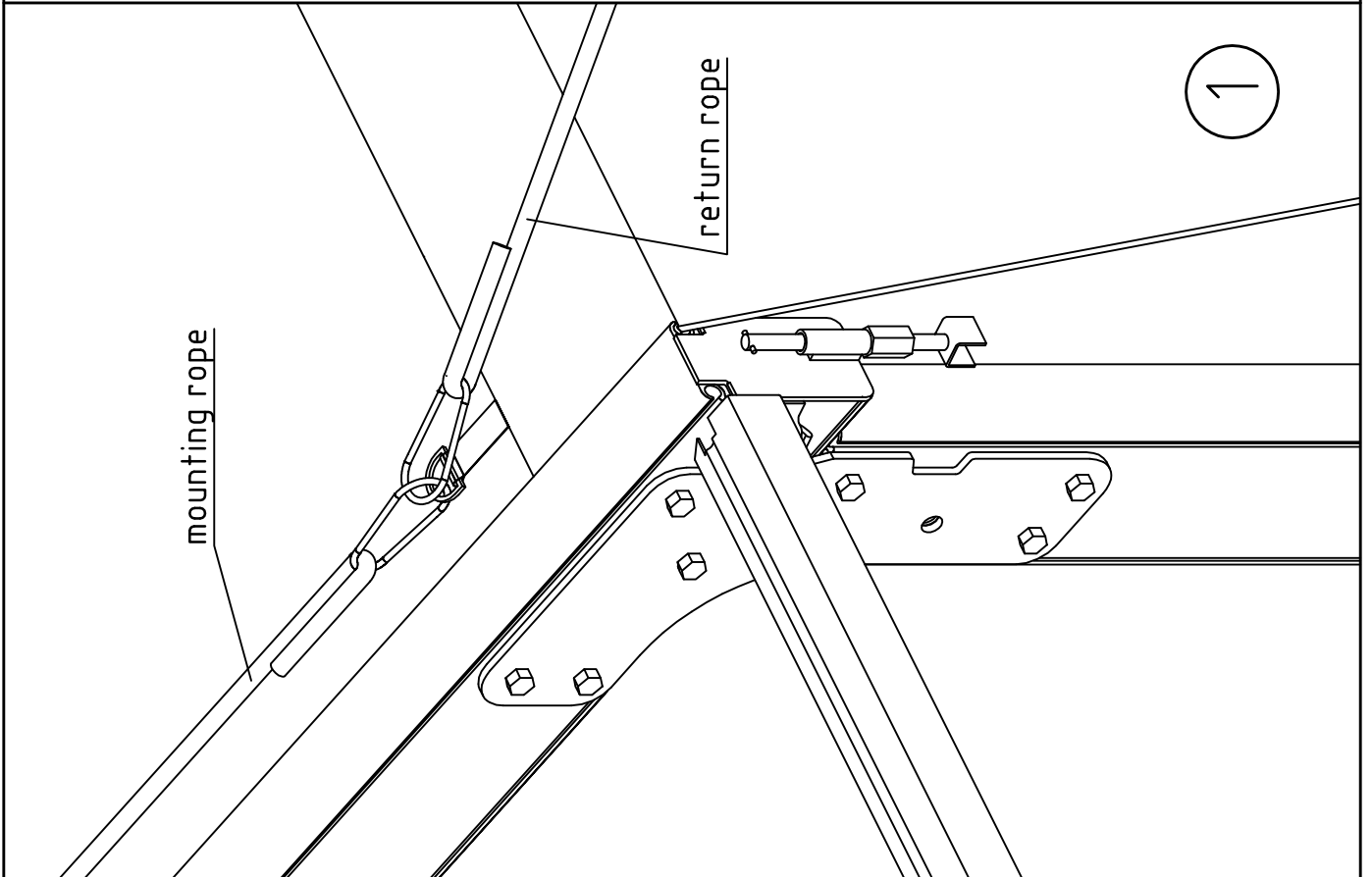




M20x140
+ nut M20
(ridge head)

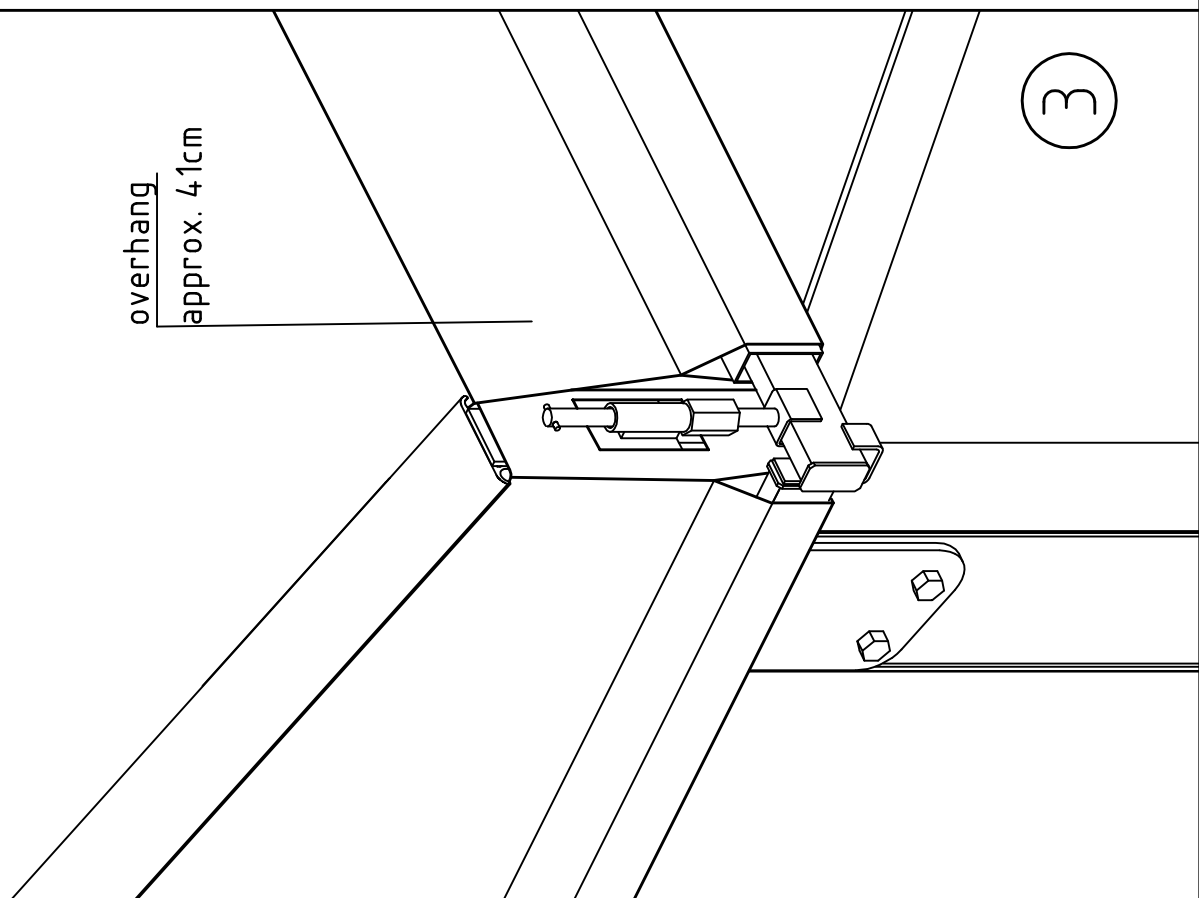
**Party and exhibition tent
25,3/340 P3N**



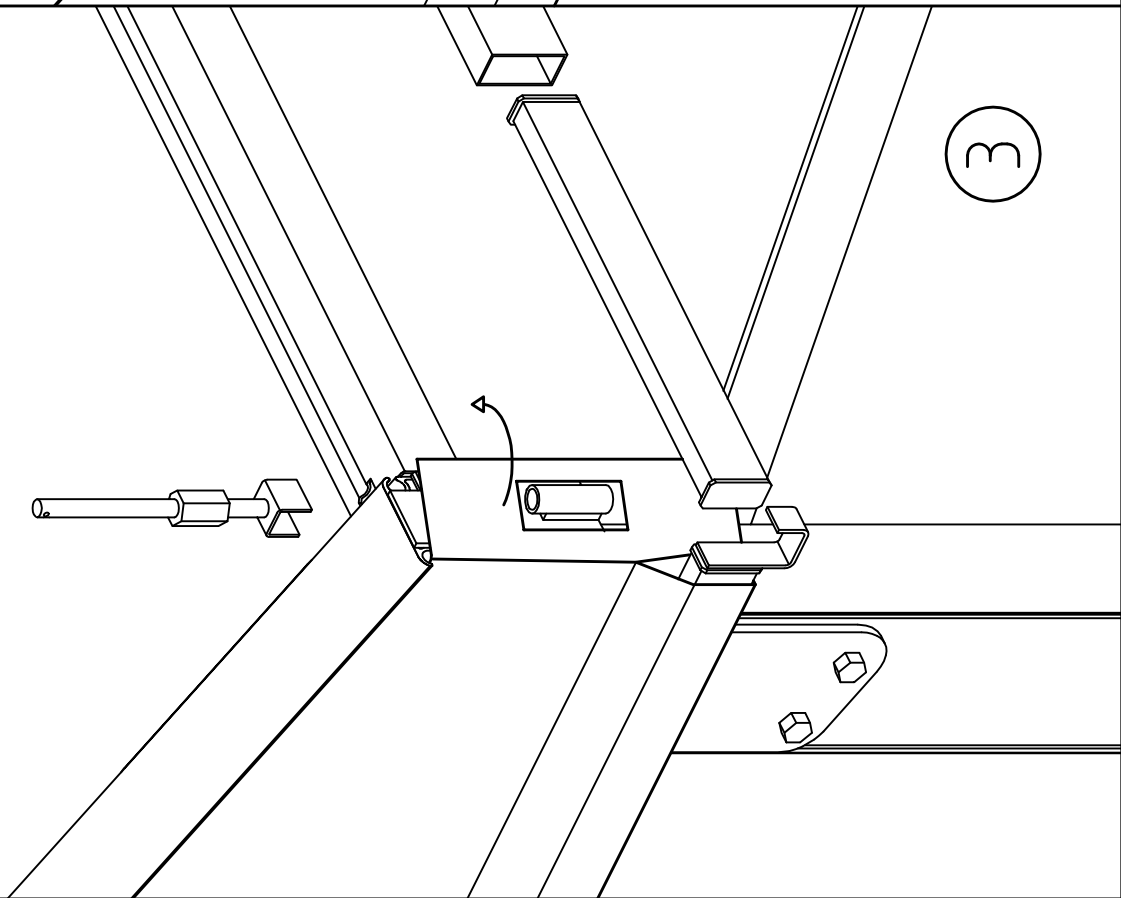


3

overhang
approx. 41cm



3



4

groove recess (underside eave purlin)



5

groove recess

