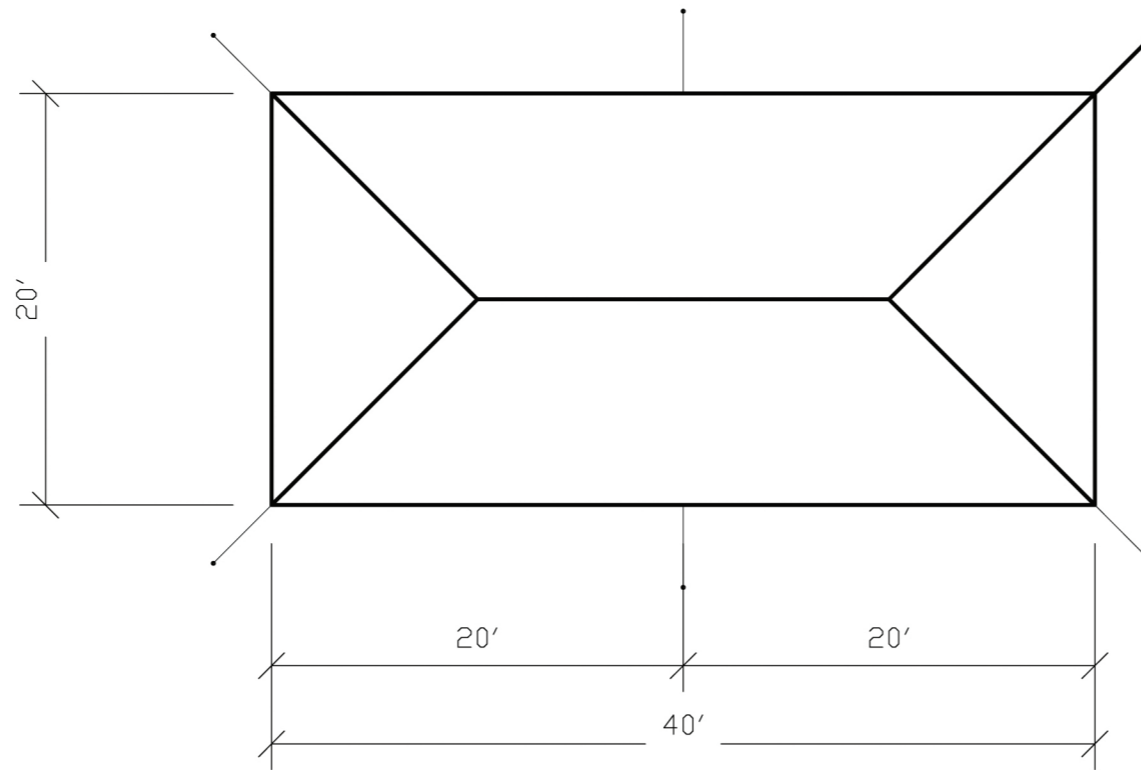


20' SQUARE

PLAN

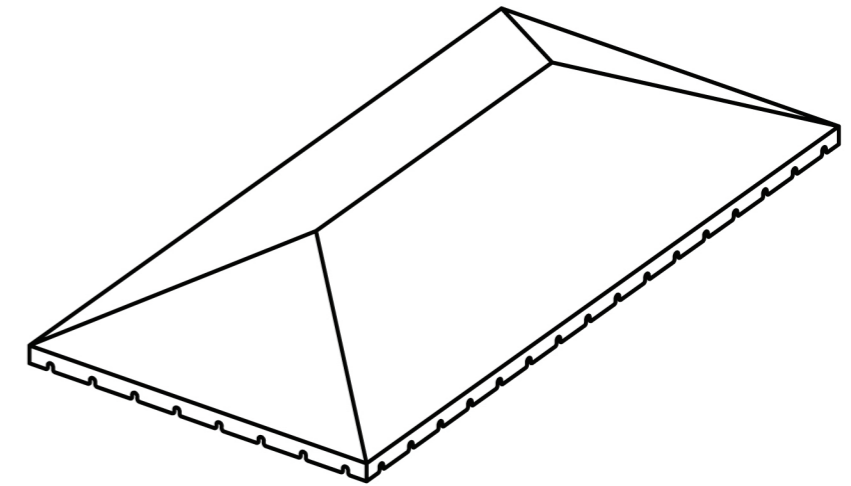


20'

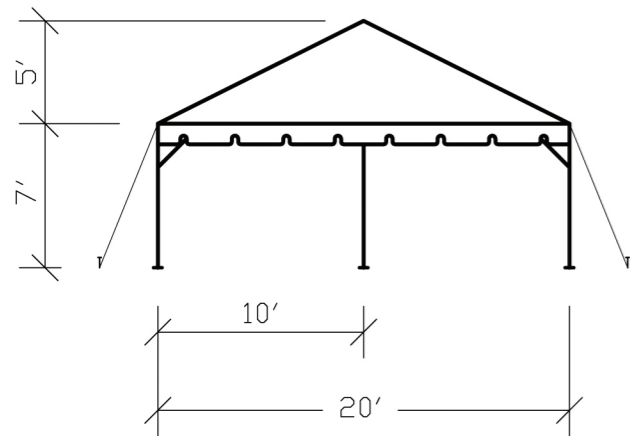
20'

40'

PLAN



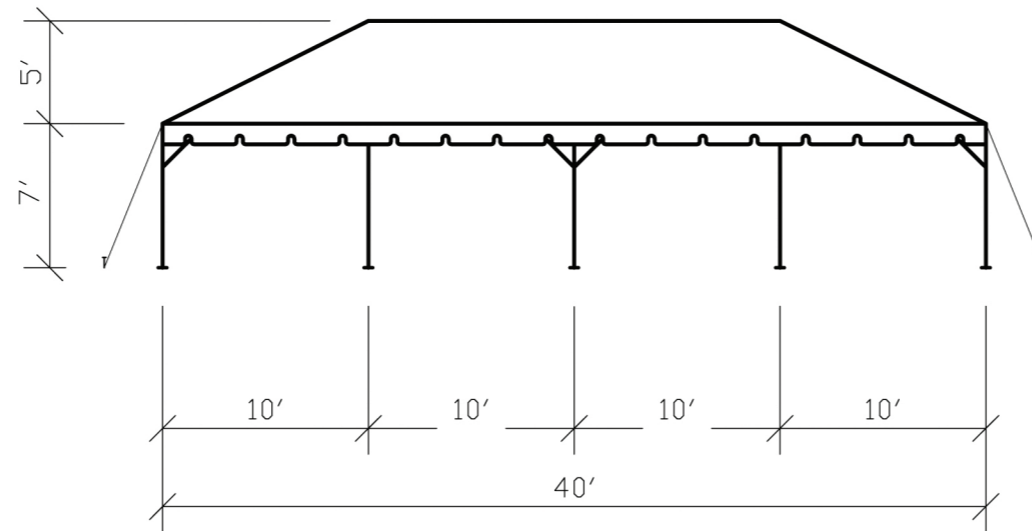
TOP



10'

20'

SIDE ELEVATION



10'

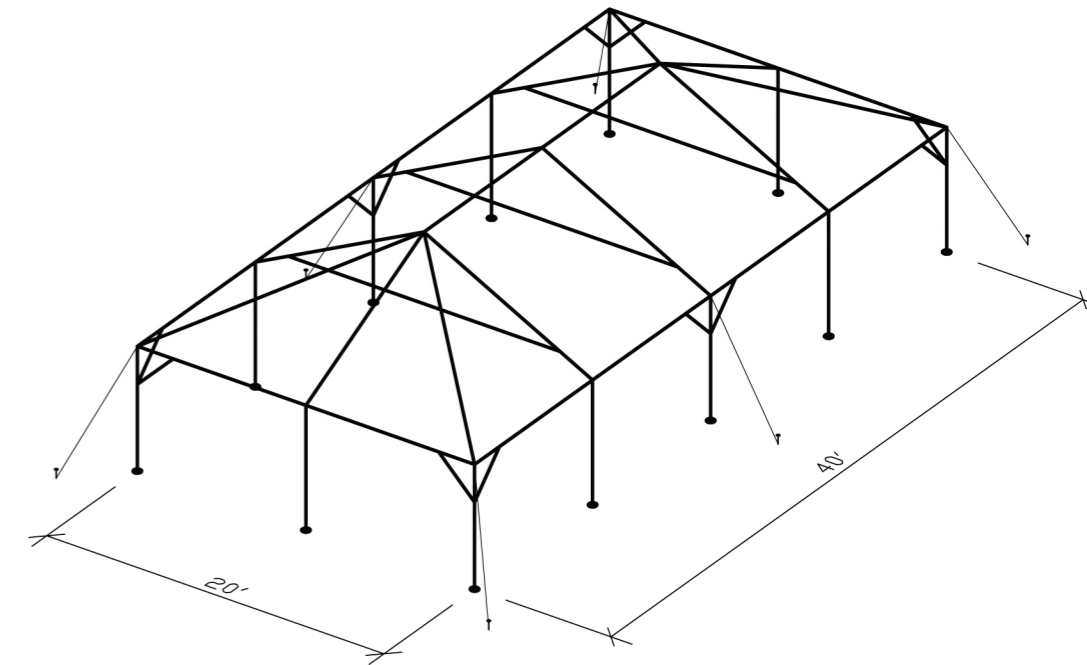
10'

10'

10'

40'

SIDE ELEVATION



ISOMETRIC

NOT TO SCALE

REVISIONS

EC/PR NO	DATE	BY

ANCHOR INDUSTRIES INC.

BROCHURE DRAWING
20' WIDE FIESTA FRAME TENT

DRAWN BY: DMK	CHECKED BY:	DRAWING NO.
APPROVED BY:	EC/PR NO.	DATE: 08-18-06
		06-253-2-3

I:\Brochure Drawings\Fiesta\06-253-2-3.dwg, Model_8/18/2006 10:29:41 AM, dkraus